



# INSTALLATION INSTRUCTIONS

Accessory <b>WIRELESS CHARGER</b>	Application <b>2019 PILOT</b>	Publications No. <b>VERSION 1</b>
		Issue Date <b>JUN 2018</b>

## PARTS LIST

**Console Panel Kit**  
**P/N 08U58-TG7-100B**  
**P/N 08U58-TG7-100C**

- \* Parts vary according kit.
- \* Console panel (P/N 08U58-TG7-100B)



\* Console panel (P/N 08U58-TG7-100C)



Center tray



**Wireless Charger Kit**  
**P/N 08U58-TG7-100**

Wireless charger unit



## TOOLS AND SUPPLIES REQUIRED

- Phillips screwdriver
- Masking tape
- 10 mm Open end wrench
- Shop towel

*The following tools are available through the Honda Tool and Equipment Program. On the iN, click on Service > Service Bay > Tool and Equipment Program, then enter the number under "Search." Or, call 888-424-6857.*

- Trim Tool Set (T/N SOJATP2014)
- Plastic Trim Tool (T/N SILTRIMTL10)

## Illustration of the Wireless Charger in the Vehicle



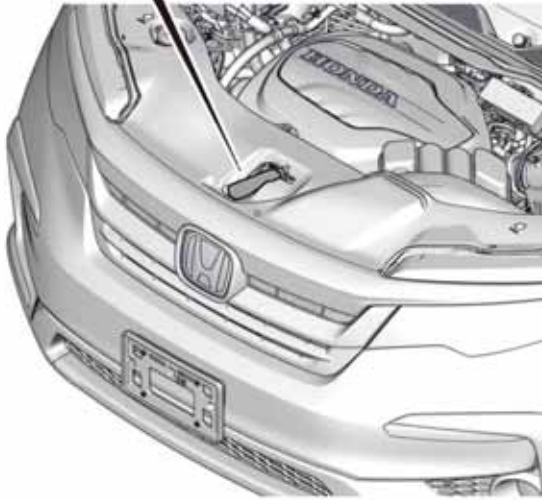
CONSOLE PANEL QH30601AB

## INSTALLATION

**Customer Information:** The information in this installation instruction is intended for use only by skilled technicians who have the proper tools, equipment, and training to correctly and safely add equipment to your vehicle. These procedures should not be attempted by "do-it-yourselfers."

1. Disconnect the negative cable from the battery:
  - Wrap a shop towel around the hood latch.

**HOOD LATCH**  
(Wrap with a shop towel.)

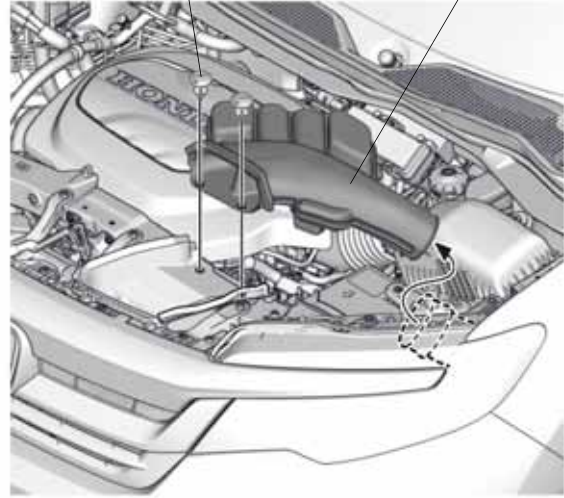


QH21201AB

- Remove the intake air tube.
- Disconnect the negative cable from the battery.

**2 CLIPS**

**INTAKE AIR TUBE**

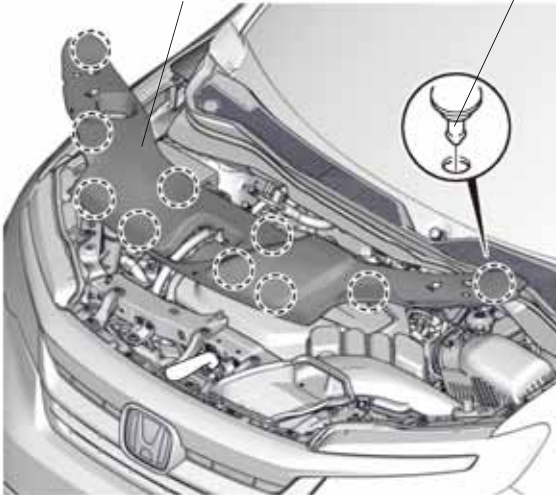


QH21203AB

- Remove the front bulkhead cover.

**FRONT BULKHEAD COVER**

**10 CLIPS**

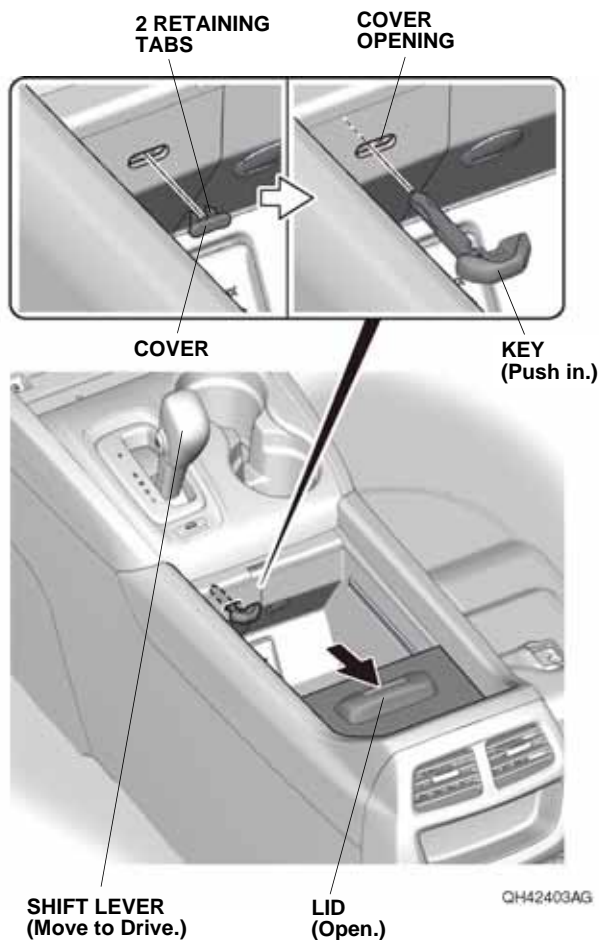


QH21202AB

If the vehicle is equipped with a shift lever, continue with step 2; otherwise, go to step 9.

### With shift lever

2. Open the lid. Remove the cover, and insert the key into the cover opening. Push on the key, move the shift lever to Drive.



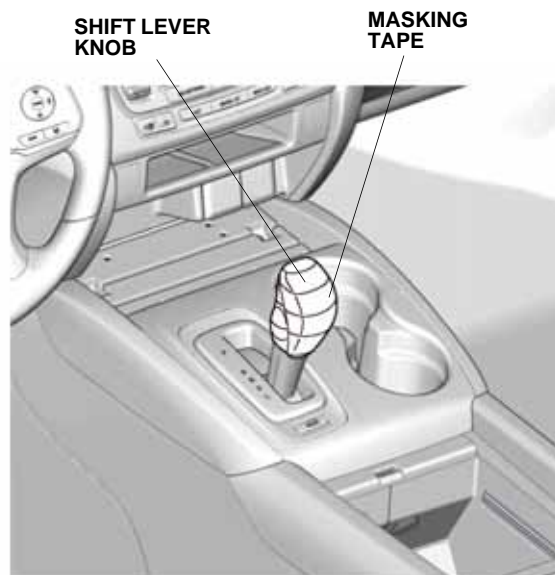
3. Remove the key, and install the cover.

4. Remove the center tray.



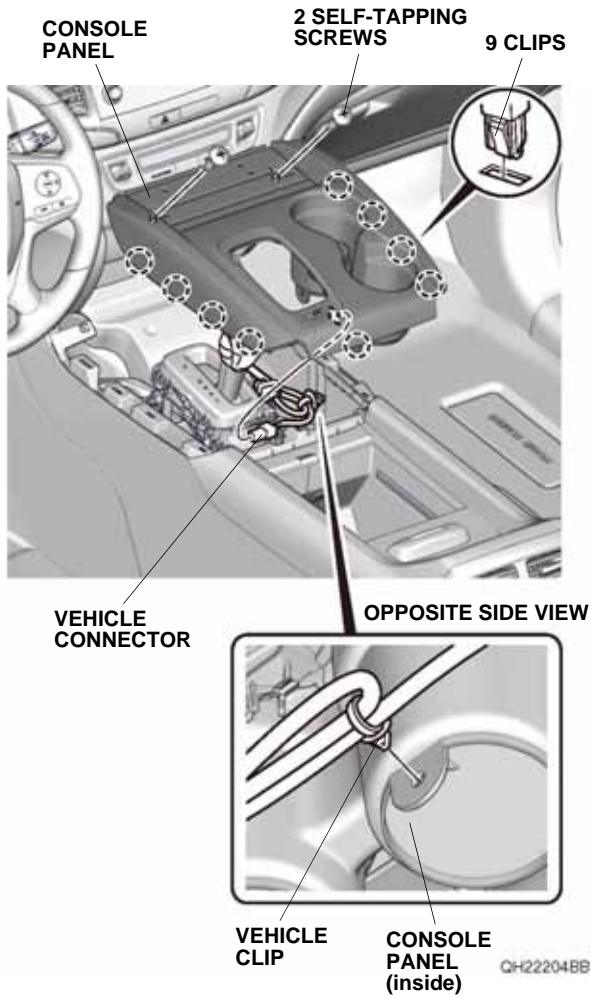
QH22202BB

5. Apply masking tape to the shift lever knob.

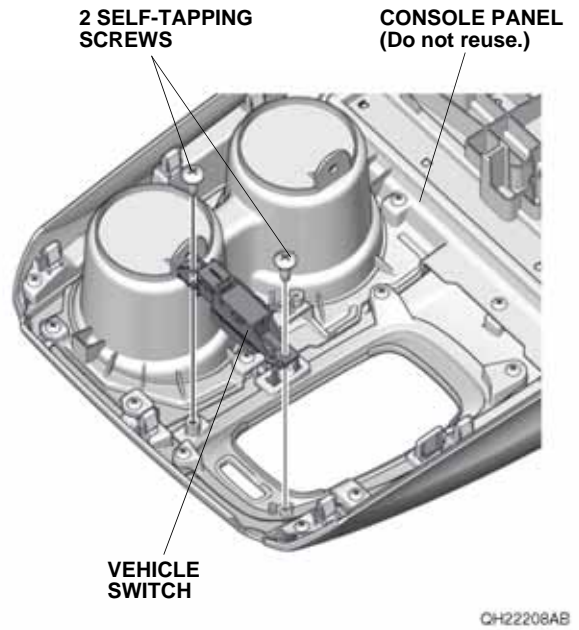


QH22203BB

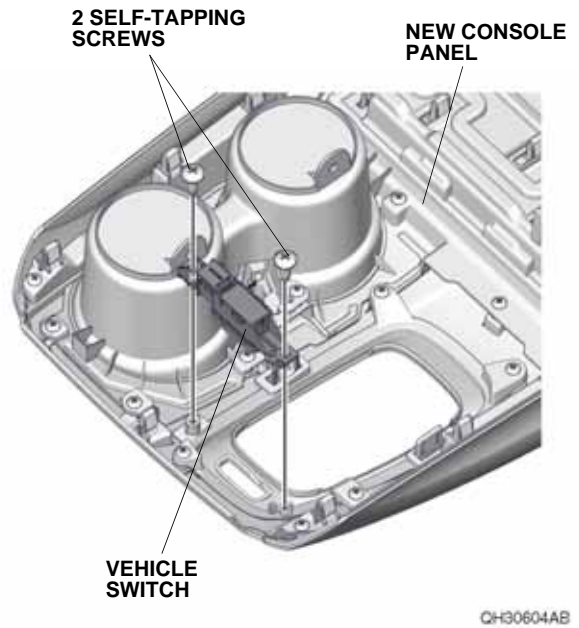
- Remove the console panel, and release the vehicle clip, and unplug the vehicle connector.



- Remove the vehicle switch from the console panel removed in step 6.



- Install the vehicle switch to the new console panel with two self-tapping screws removed in step 7. Go to step 13.

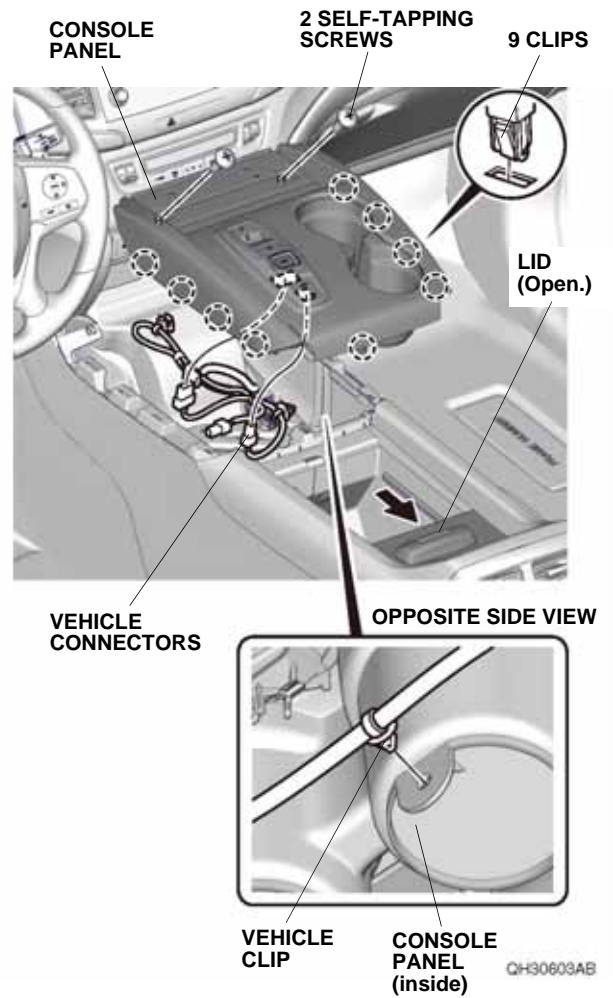


**Without shift lever**

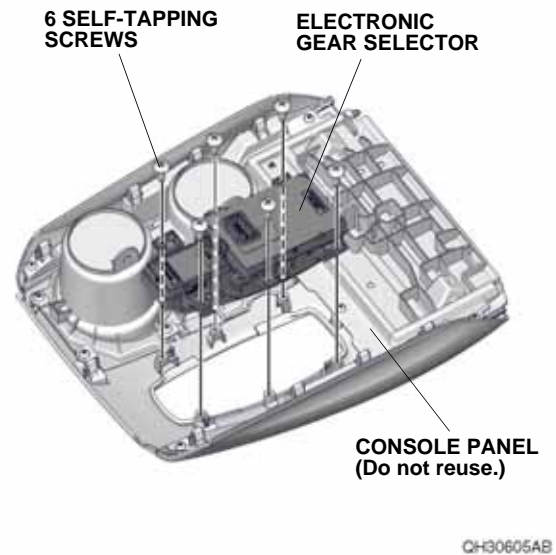
9. Remove the center tray.



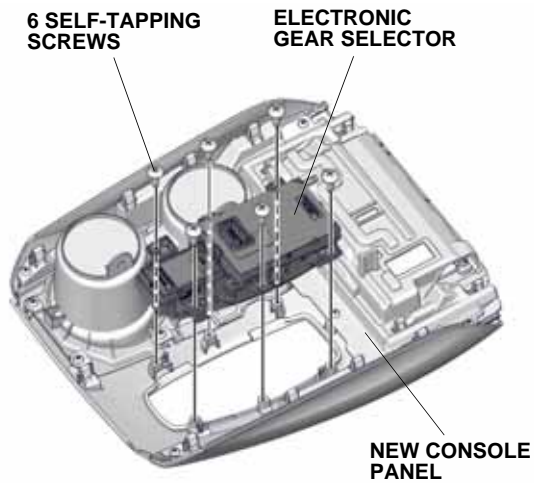
10. Open the lid. Remove the console panel, and release the vehicle clip, and unplug the vehicle connectors.



11. Remove the electronic gear selector from the console panel removed in step 10.

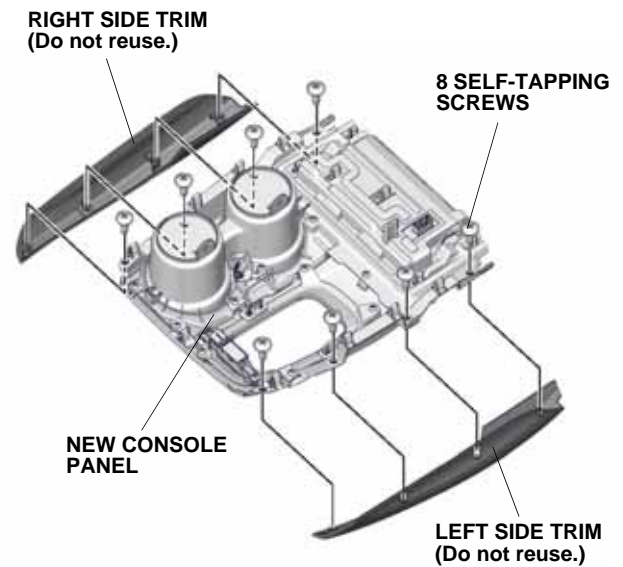


12. Install the electronic gear selector to the new console panel with six self-tapping screws removed in step 11.



QH30606AB

14. Remove the left and right side trim from the new console panel.

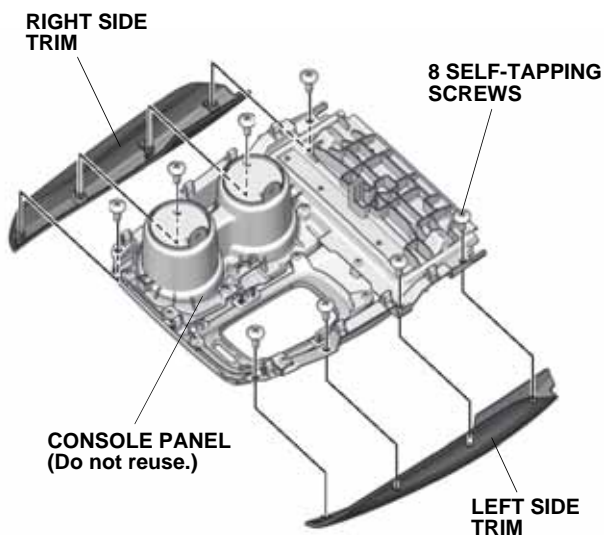


QH30607AB

If the new console panel side trims color do not match the vehicle console panel side trims color, continue with step 13; otherwise, go to step 16.

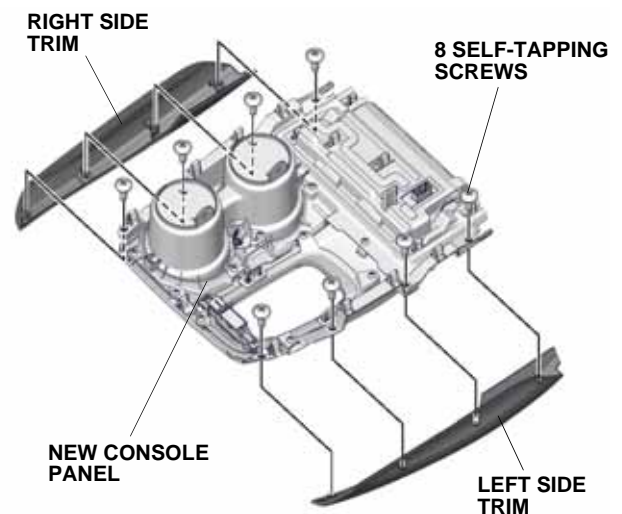
**New console panel side trims color do not match the vehicle console panel side trims color**

13. Remove the left and right side trim from the removed console panel.



QH22210AB

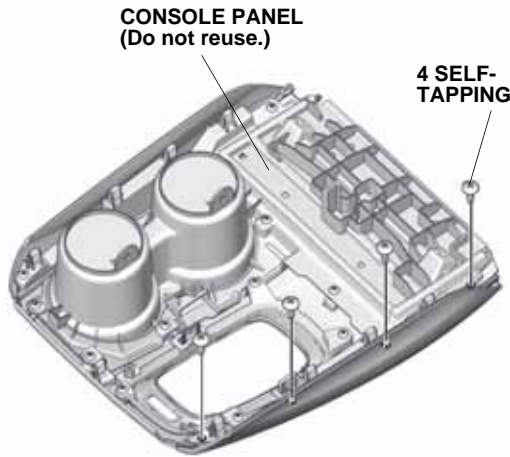
15. Install the left and right side trim to the new console panel with eight self-tapping screws removed in step 13 or 14. Go to step 17.



QH30607AB

**New console panel side trims color match the vehicle console panel side trims color**

16. Remove the four self-tapping screws from the removed console panel.

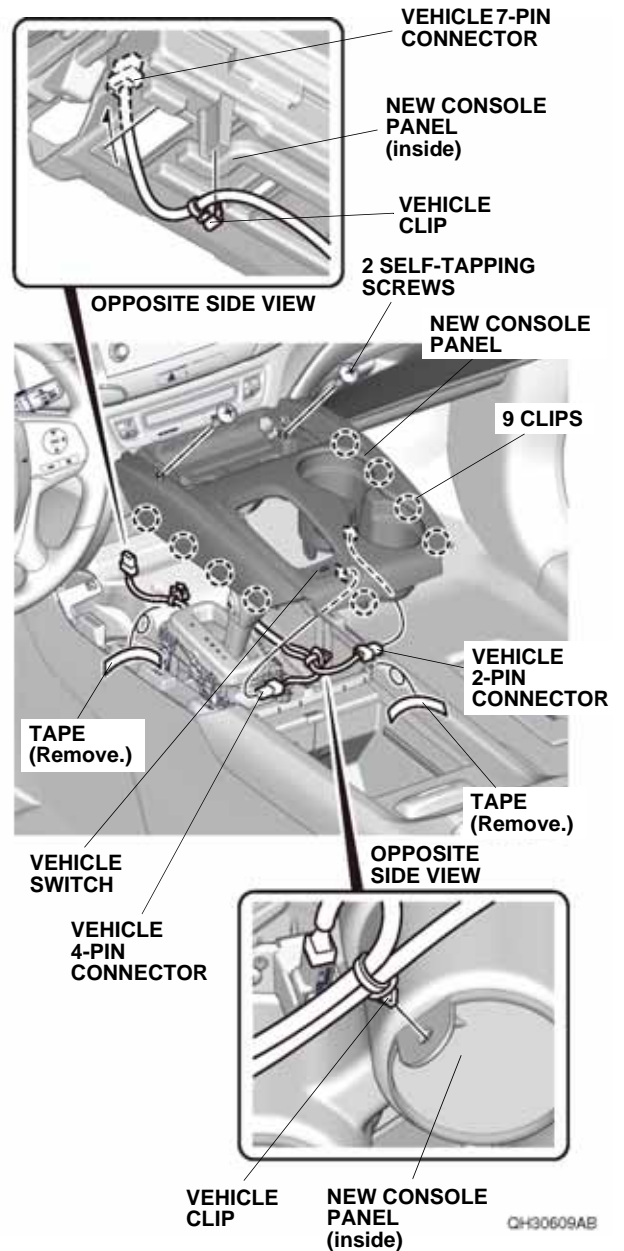


QH30608AB

If the vehicle is equipped with the shift lever, continue with step 17; otherwise, go to step 19.

**With shift lever**

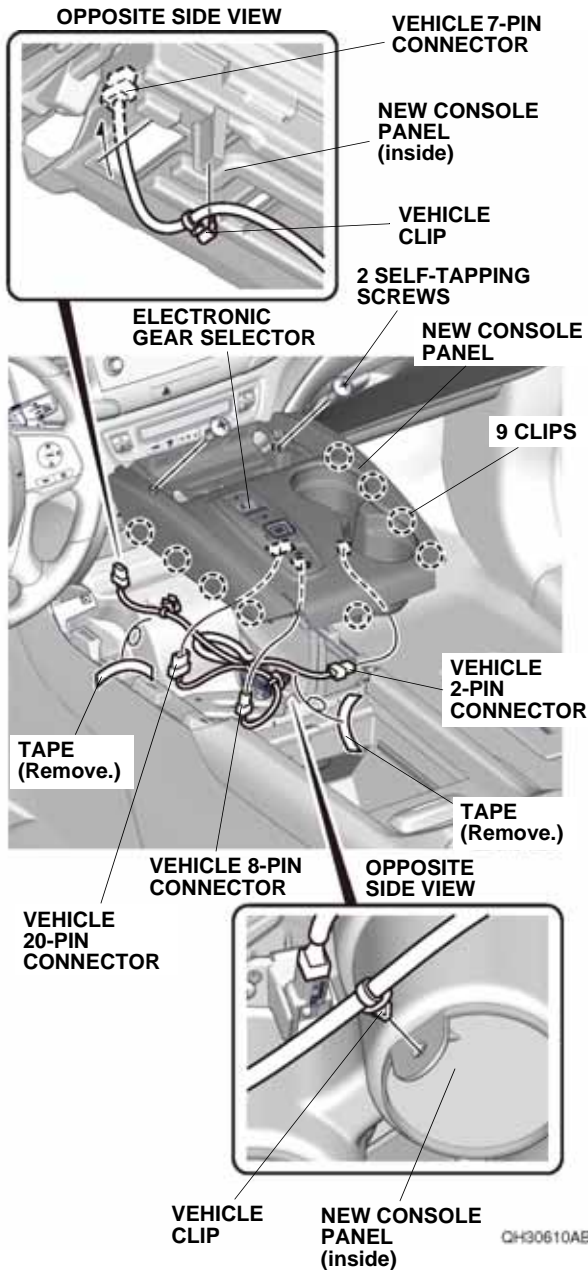
17. Remove the tape to free the vehicle 2-pin connector and 7-pin connector. Route the vehicle 7-pin connector through the opening in the new console panel, and secure the vehicle harness to the new console panel with clip on the vehicle harness. Plug the vehicle 2-pin connector into the new console panel. Plug the vehicle 4-pin connector into the vehicle switch, and secure the vehicle harness to the new console panel with the clip on the vehicle harness.



18. Install the new console panel with nine clips and two self-tapping screws removed in step 6. Go to step 21.

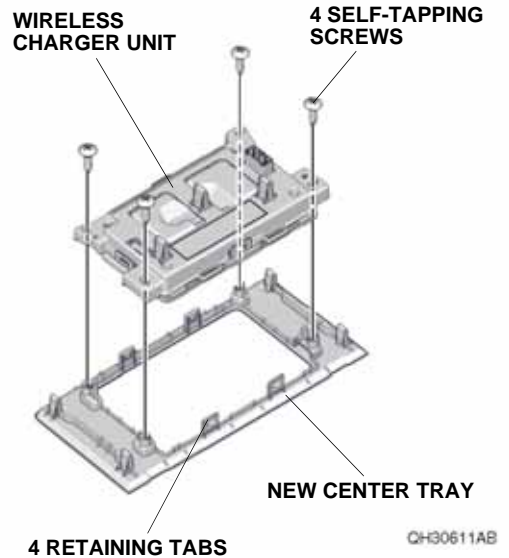
**Without shift lever**

19. Remove the tape to free the vehicle 2-pin connector and 7-pin connector. Route the vehicle 7-pin connector through the opening in the new console panel, and secure the vehicle harness to the new console panel with clip on the vehicle harness. Plug the vehicle 2-pin connector into the new console panel. Plug the vehicle 8-pin connector and 20-pin connector into the electronic gear selector, and secure the vehicle harness to the new console panel with the clip on the vehicle harness.

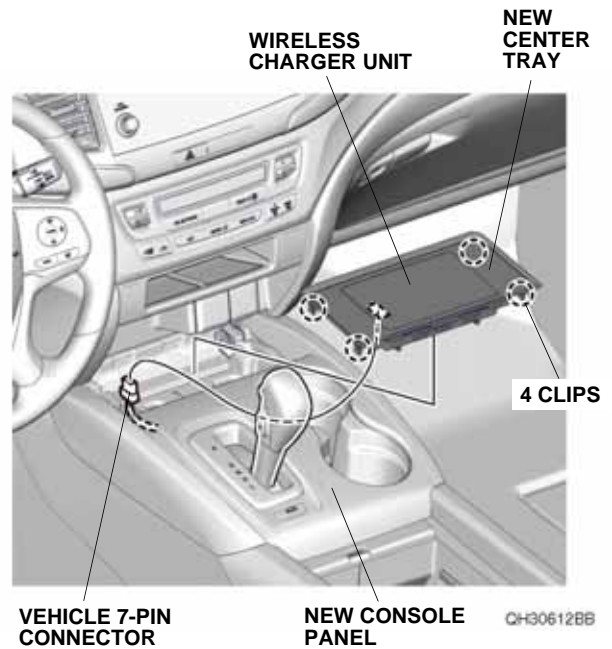


20. Install the new console panel with nine clips and two self-tapping screws removed in step 10.

21. Install the wireless charger unit to the new center tray with four retaining tabs and four self-tapping screws removed in step 13, 14, or 16.



22. Plug the vehicle 7-pin connector into the wireless charger unit, and install the new center tray to the new console panel with four clips.





23. Check that all wire harnesses are routed properly and all connectors are plugged in.
24. Connect the negative cable to the battery.
25. Install the front bulkhead cover and the intake air tube.
26. Press and hold the audio unit power button for 2 seconds to restore the audio and navi (if equipped) system functions.
27. Set the clock on vehicles without navigation.
28. If necessary, restore the system back to normal operation as described in the service information.

**Check the Operation of the Wireless Charger**

29. Check that the wireless charger works as described in the vehicle owner's manual.