

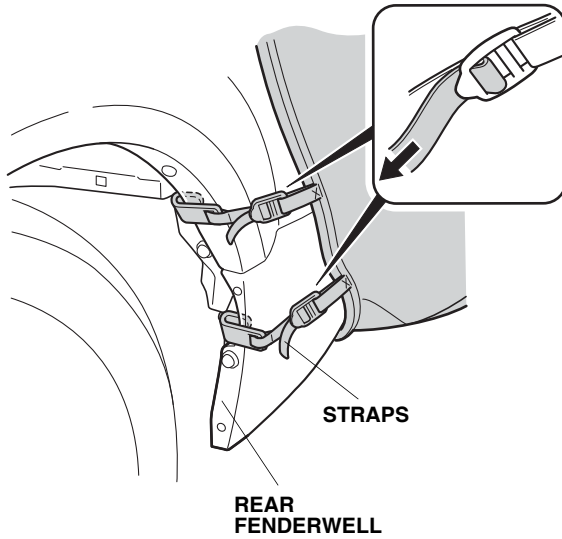






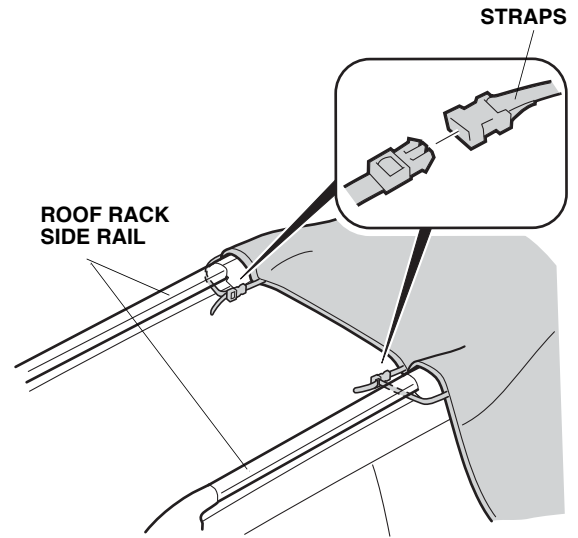


- Attach the outside straps to the rear fenderwell and tighten the straps.  
NOTE: If the vehicle is equipped with splash guards, install the lower strap to the splash guard.

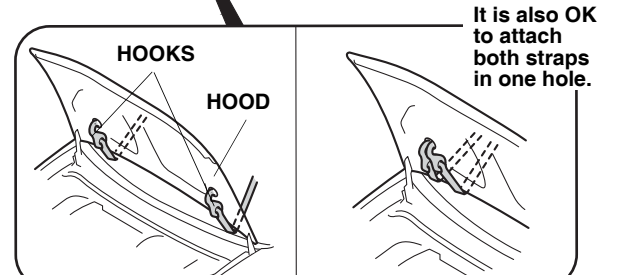
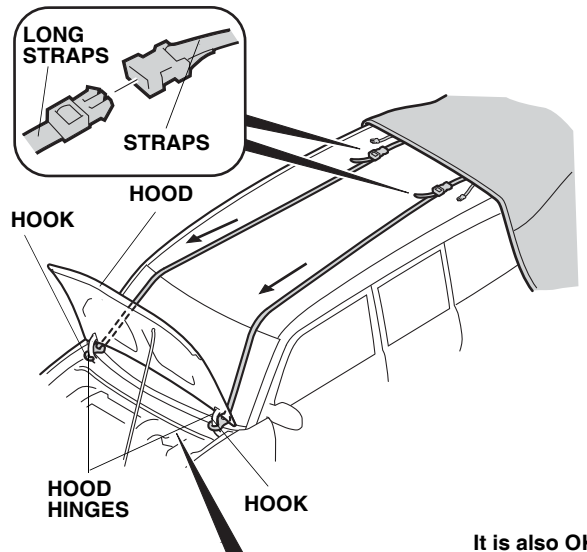


- Along the roof of the vehicle, attach the straps to the roof rack (if equipped), or extend the long straps forward and attach the hooks to the hood hinge or hood frame. Tighten the straps to secure the tent.

**WITH ROOF RACK (SIDE RAIL TYPE ONLY)**



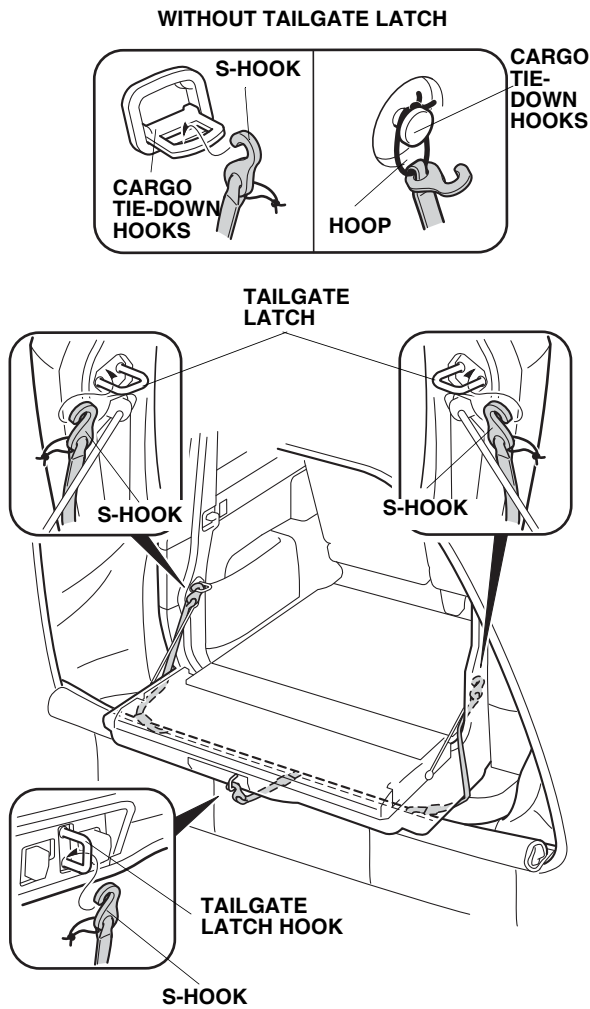
**WITHOUT ROOF RACK**



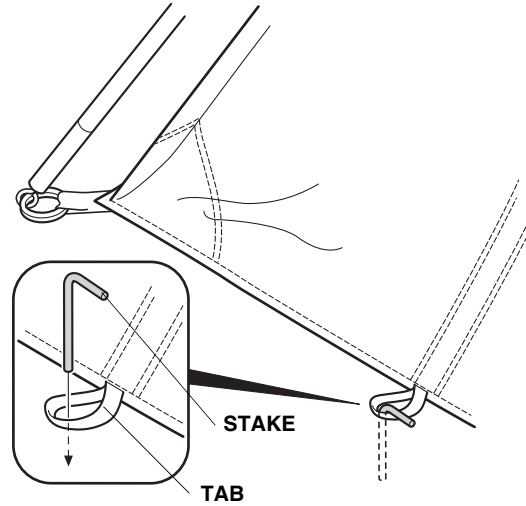
**WHEN USING THE HATCH TENT WITH THE TAILGATE OPEN**

NOTE: Leaving the tailgate open for an extended amount of time will drain the battery.

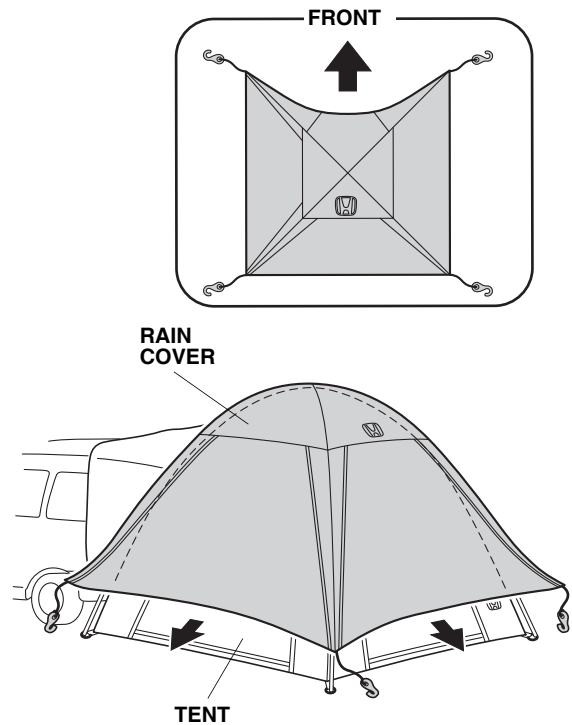
9. Inside the tent, attach the two outer S-hooks from the tent to the tailgate latches, or to the cargo tie-down hooks inside the vehicle. Attach the center S-hook to the tailgate latch hook.



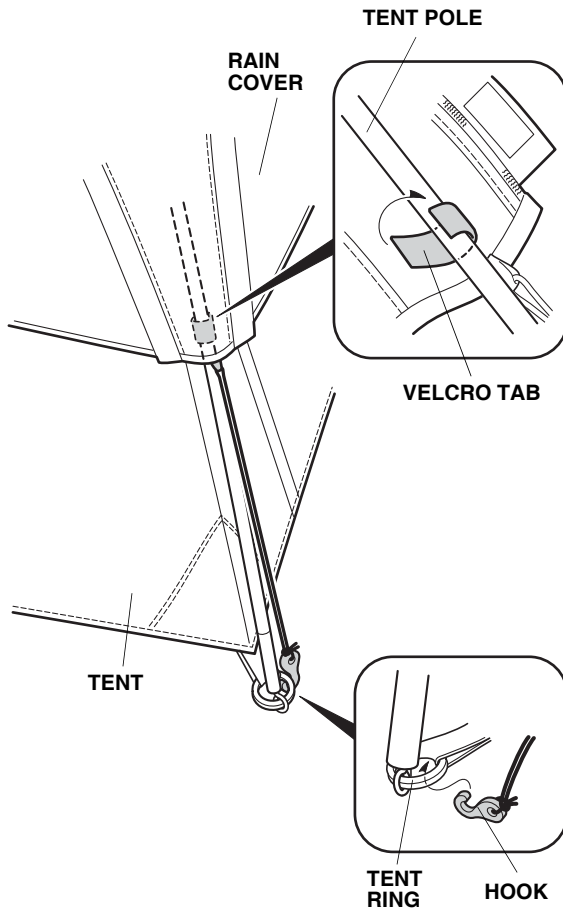
10. At each of the four corners, stake the tent down with one tent stake through each tab.



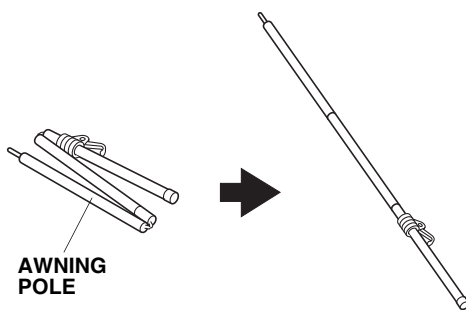
11. Drape the rain cover over the tent, and position the awning portion over the front door opening.



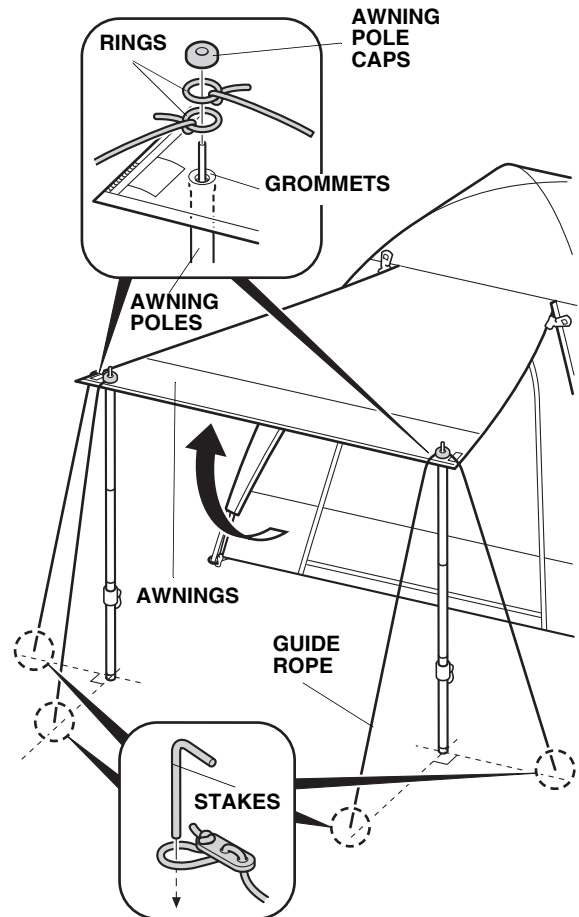
- Attach the hook on each corner of the rain cover to the tent ring on the tent. Wrap the Velcro tabs around each pole to hold the rain cover in place.



- Assemble the two awning poles.



- With the help of an assistant, place the tip of one awning pole through the grommet at the corner of the awning. Insert the ring of a guide rope around the tip of the awning pole, and stake the other end to the ground using one stake.



- Pull the awning tight, adjust the height of the awning using the telescopic pole, and secure the awning to the ground using an additional stake and guide rope. Secure the other pole using the same procedure. If necessary, adjust the guide rope length using the adjuster on the rope.

16. Install the four hooks of the gear loft to the four hoops in the tent.

