



# INSTALLATION INSTRUCTIONS

Accessory <b>DOOR EDGE GUARDS</b> P/N 08P20-TXM-100	Application <b>2019 INSIGHT</b>	Publications No. <b>VERSION 1</b>
		Issue Date <b>JUNE 2018</b>

## PARTS LIST

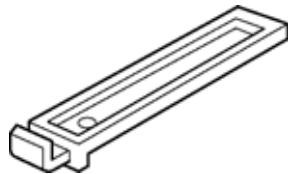
Left front door edge guard

Right front door edge guard

Left rear door edge guard

Right rear door edge guard

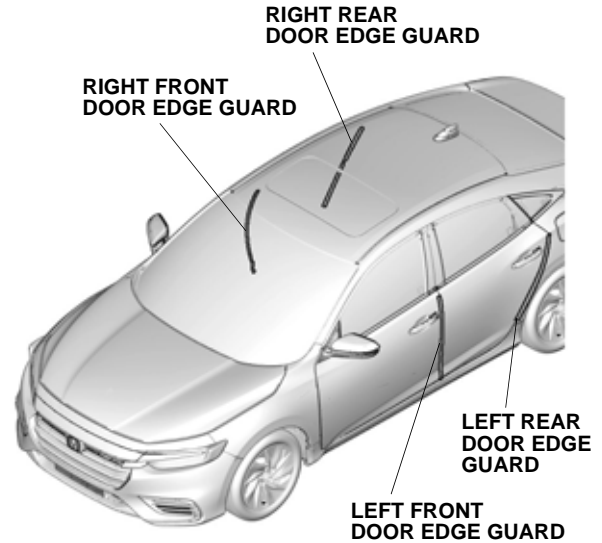
Seam sealant cutting tool



## TOOLS AND SUPPLIES REQUIRED

- Rubber mallet
- Felt-tip pen
- Touch-up paint
- Ruler

## Illustration of the Door Edge Guards Installed on the Vehicle



QG00501AT

## INSTALLATION

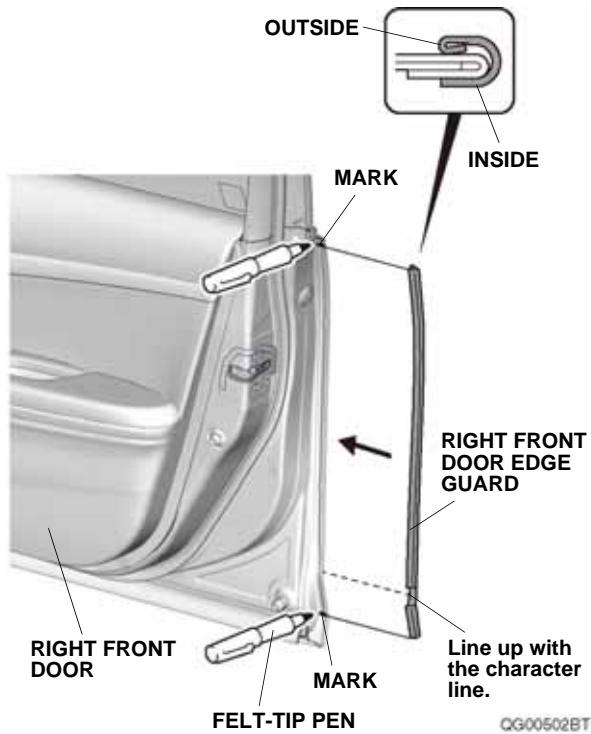
**Customer Information:** The information in this installation instruction is intended for use only by skilled technicians who have the proper tools, equipment, and training to correctly and safely add equipment to your vehicle. These procedures should not be attempted by “do-it-yourselfers.”

### NOTE:

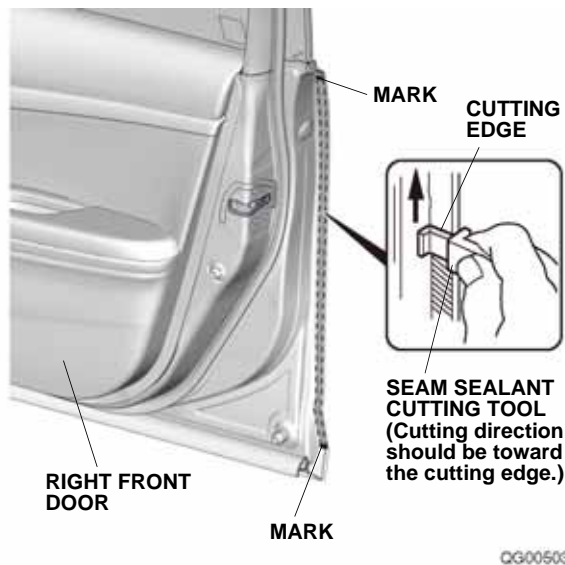
- If you are also installing body side moldings (sold separately), install them before you install the door edge guards.
- Be careful not to damage the body paint finish.
- Identify each door edge guard by holding it up to the door and matching its contour with the door edge.

## Installing the Front Door Edge Guards

1. Position the right front door edge guard as shown.

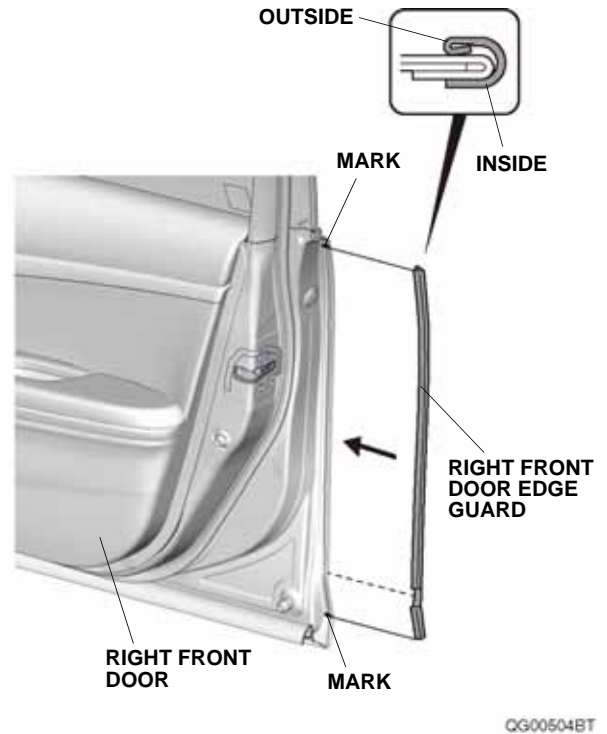


2. Mark the sealant at the top and bottom ending points of the right front door edge guard.
3. Remove the right front door edge guard.
4. Position the cutting edge of the seam sealant cutting tool against the right front door edge, and trim the seam sealant from mark to mark.  
NOTE: The cutting tool cuts in only one direction.



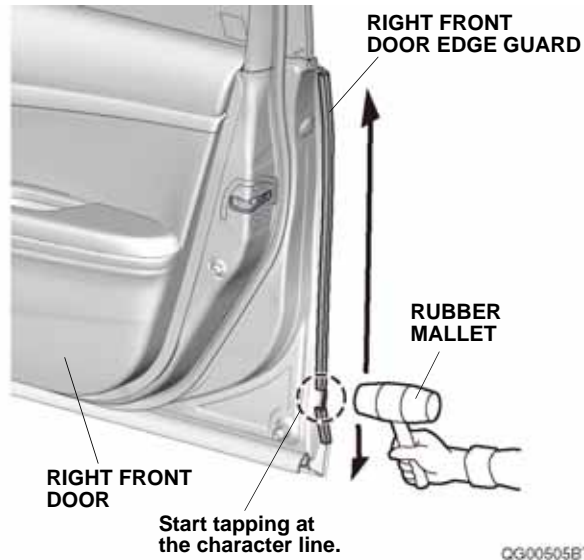
5. Apply touch-up paint to the cut seam sealant area, and let it dry.

6. Position the right front door edge guard on the right front door edge, and line it up with the marks made in step 2.



7. Starting at the character line, tap the right front door edge guard into position with a series of light taps using a rubber mallet, then work up and down. Make sure the position of the right front door edge guard is correct.

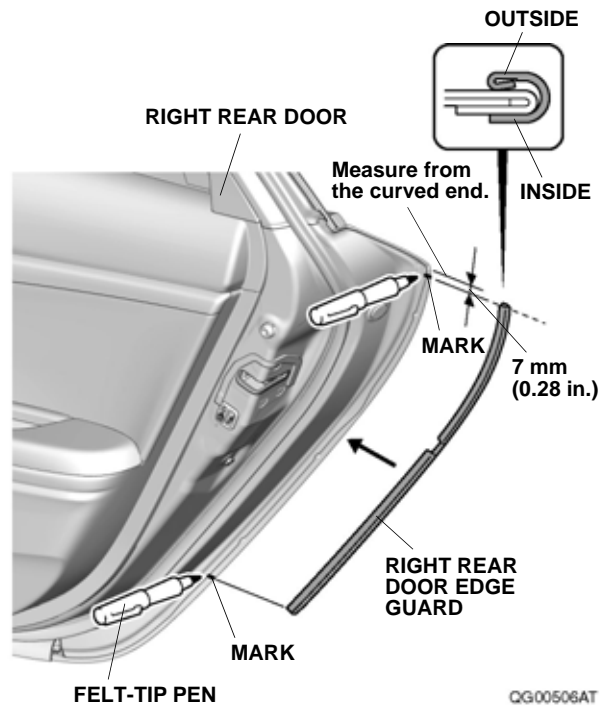
NOTE: Once in place, do not remove, reposition, or reinstall the right front door edge guard or it will not hold securely.



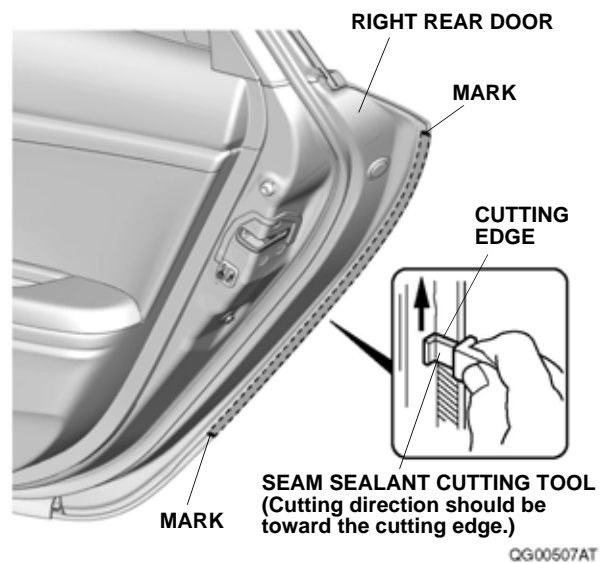
8. Repeat steps 1 through 7 to install the left front door edge guard.

## Installing the Rear Door Edge Guards

9. Position the right rear door edge guard as shown.

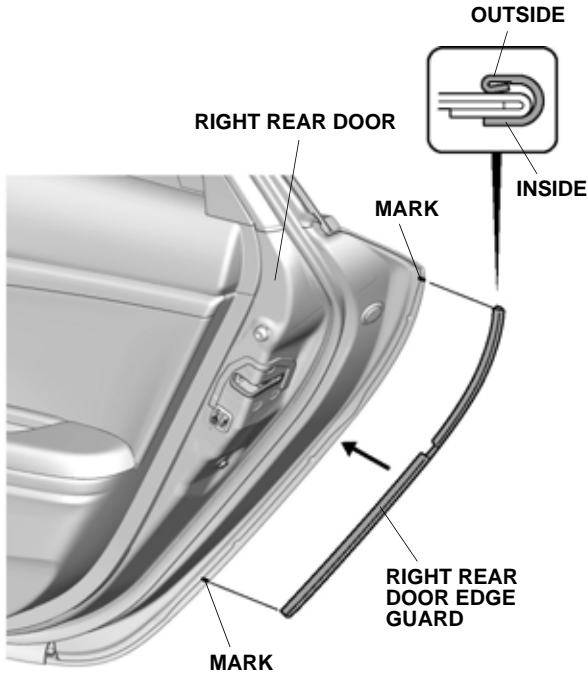


10. Mark the sealant at the top and bottom ending points of the right rear door edge guard.
  11. Remove the right rear door edge guard.
  12. Position the cutting edge of the seam sealant cutting tool against the right rear door edge, and trim the seam sealant from mark to mark.
- NOTE: The cutting tool cuts in only one direction.



13. Apply touch-up paint to the cut seam sealant area, and let it dry.

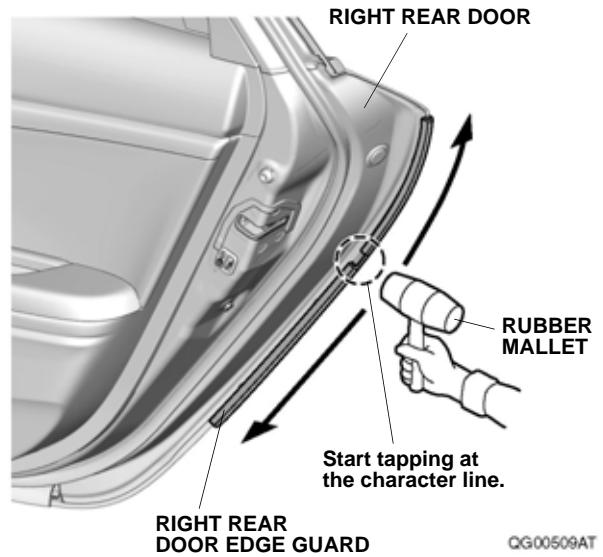
14. Position the right rear door edge guard on the right rear door edge, and line it up with the marks made in step 10.



QG00508AT

15. Starting at the character line, tap the right rear door edge guard into position with a series of light taps using a rubber mallet, then work up and down. Make sure the position of the right rear door edge guard is correct.

NOTE: Once in place, do not remove, reposition, or reinstall the right front door edge guard or it will not hold securely.



QG00509AT

16. Repeat steps 9 through 15 to install the left rear door edge guard.