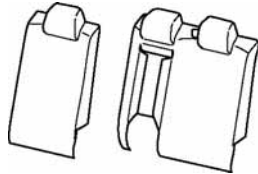


**PARTS LIST****Seat Cover Kit  
(60/40 Split Fold-Down Rear Seat-Back)  
P/N 08P32-TBA-100**

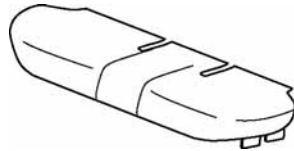
Seat-back covers



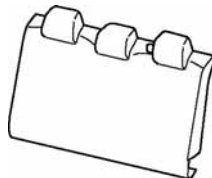
Armrest cover



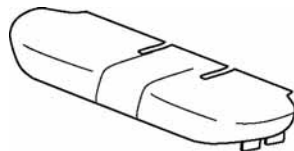
Seat cushion cover

**Seat Cover Kit (Fold-Down Rear Seat-Back)  
P/N 08P32-TBA-100A**

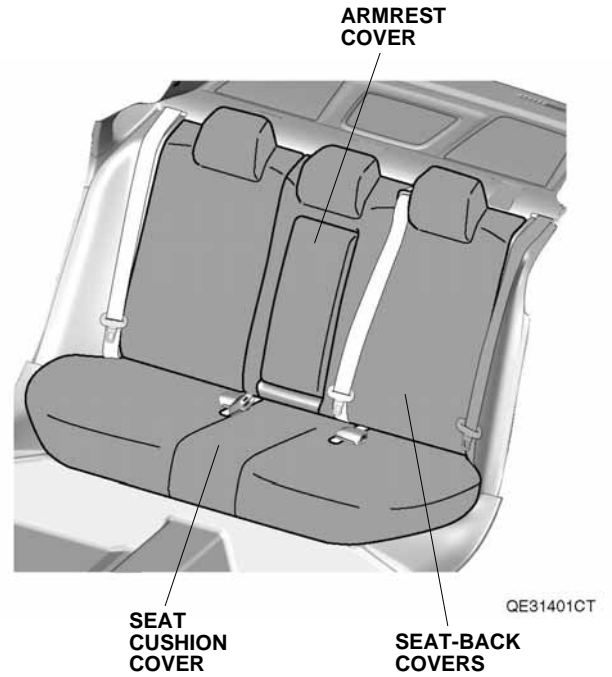
Seat-back cover



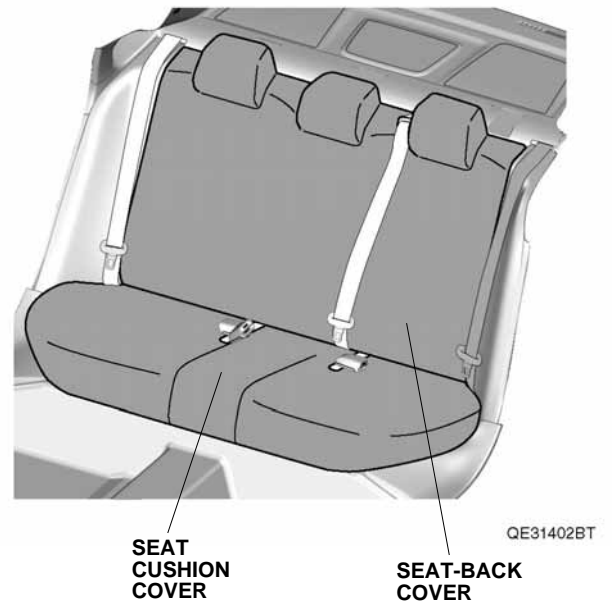
Seat cushion cover

**Illustration of the Rear Seat Covers in the Vehicle**

60/40 Split Fold-Down Rear Seat-Back



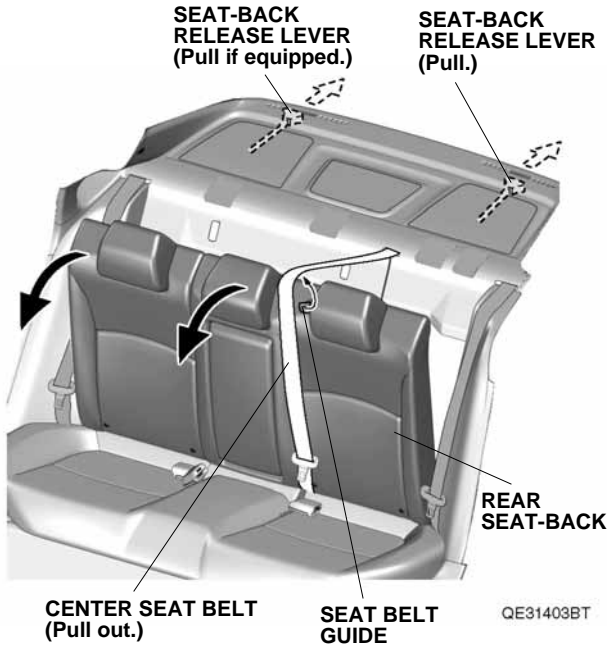
Fold-Down Rear Seat-Back



## INSTALLATION

### Installing the Seat Covers

1. Pull the center seat belt out of the seat belt guide.

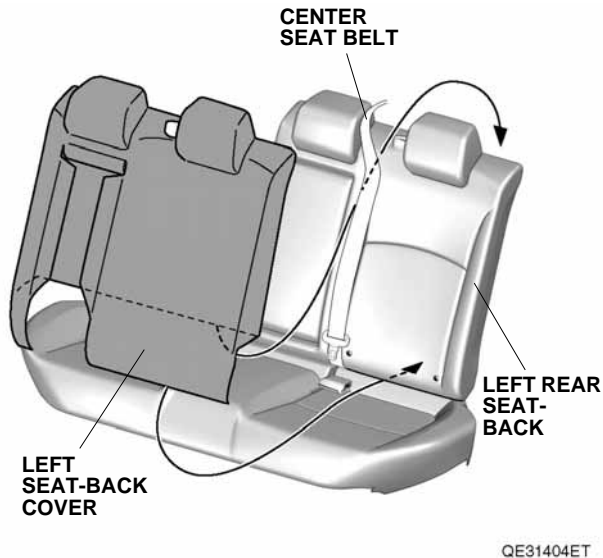


2. Open the trunk. Pull the seat-back release lever, and fold the rear seat-back forward.

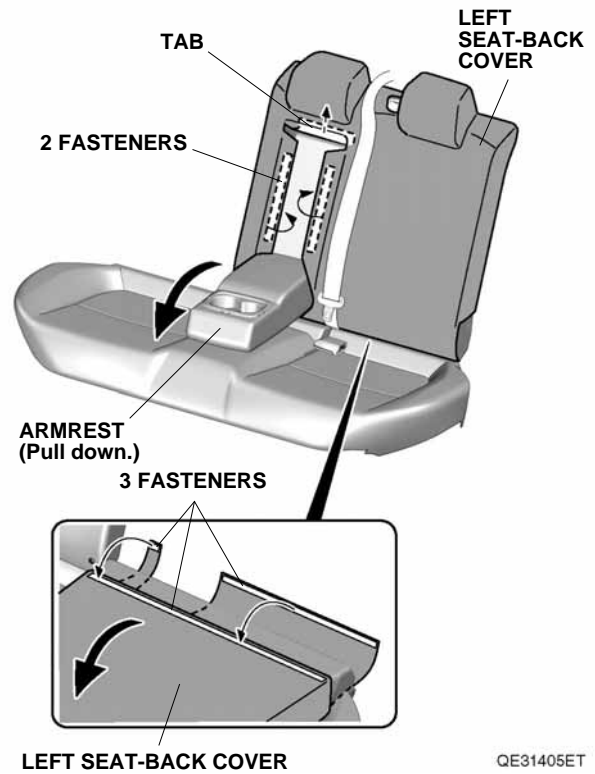
If the vehicle is equipped with a 60/40 split fold-down rear seat-back, continue with step 3; otherwise, go to step 10.

### With 60/40 Split Fold-Down Rear Seat-Back

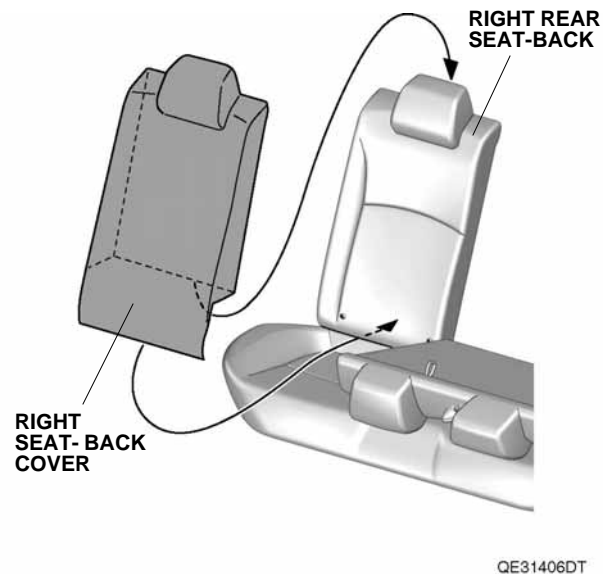
3. Fit the left seat-back cover onto the left rear seat-back through the center seat belt.



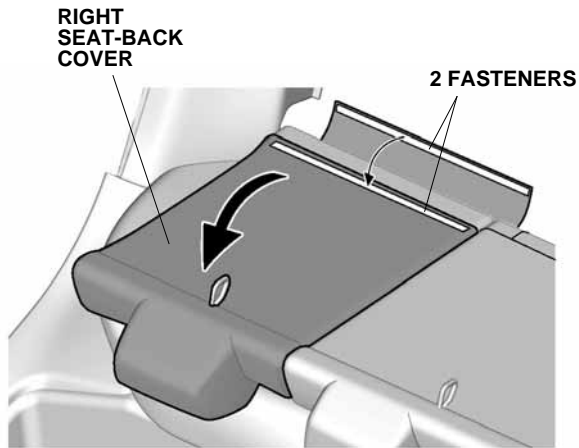
4. Pull down the armrest. Secure the fasteners to the left rear seat-back, and insert the tab in the left rear seat-back. Fold down the left rear seat-back, and secure the fasteners to each other.



5. Fit the right seat-back cover onto the right rear seat-back.

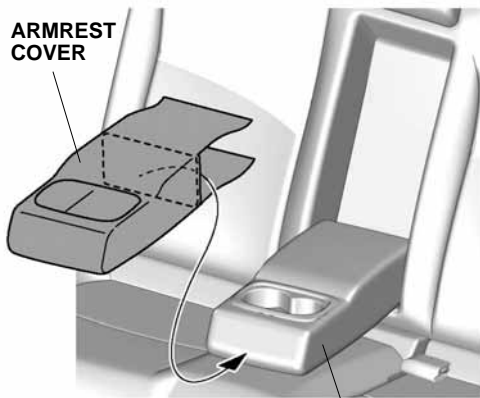


6. Fold down the right rear seat-back, and secure the fasteners to each other.



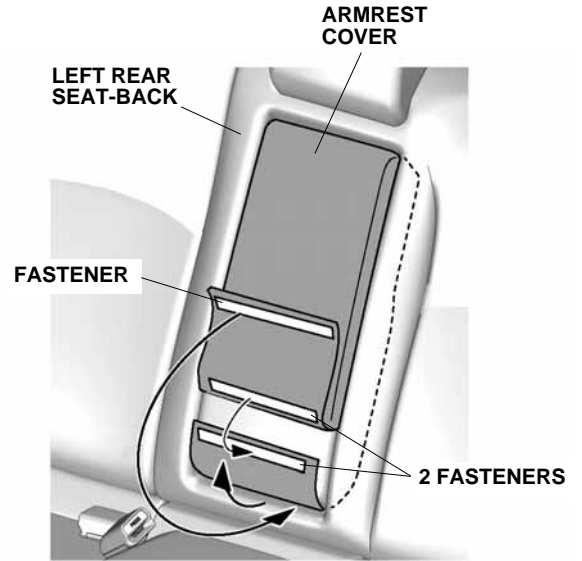
QE31407DT

7. Install the armrest cover to the armrest.



QE31408AT

8. Raise the armrest. Pull out the armrest cover between the armrest and left rear seat-back, and secure the fasteners to each other as shown.

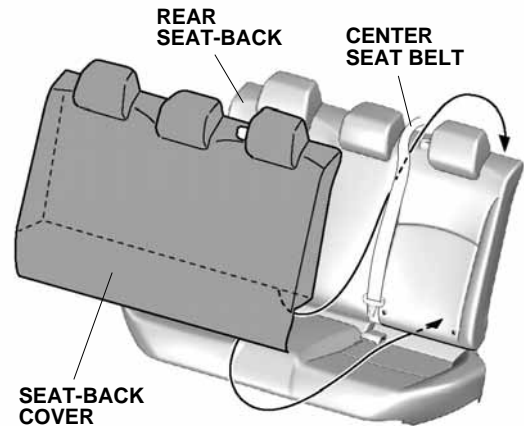


QE31409AT

9. Secure the fastener to the left rear seat-back. Go to step 12.

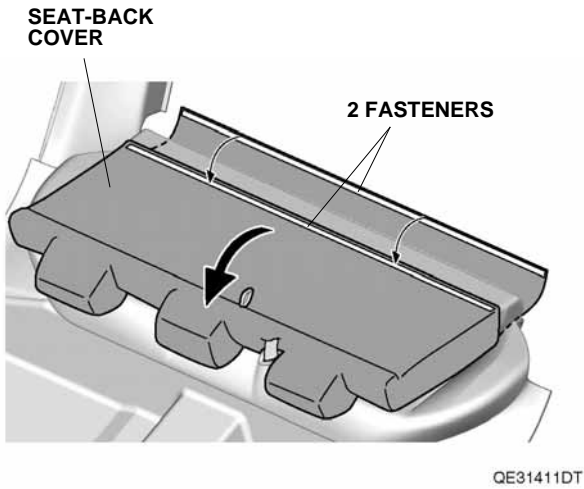
### With Fold-Down Rear Seat-Back

10. Fit the seat-back cover onto the rear seat-back through the center seat belt.

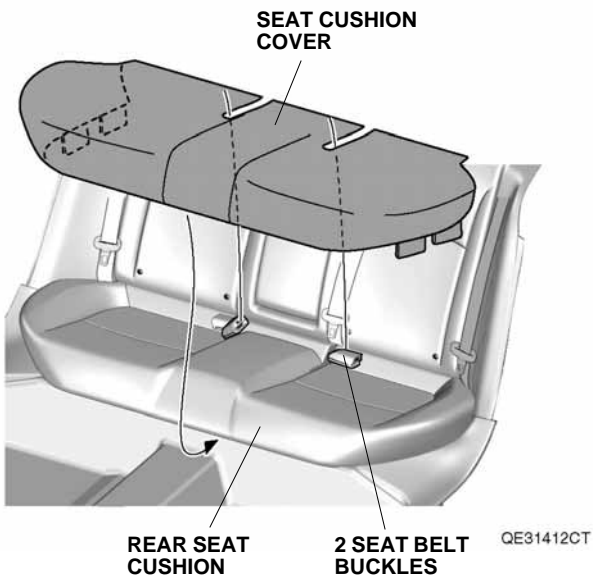


QE31410ET

11. Fold down the rear seat-back, and secure the fasteners to each other.

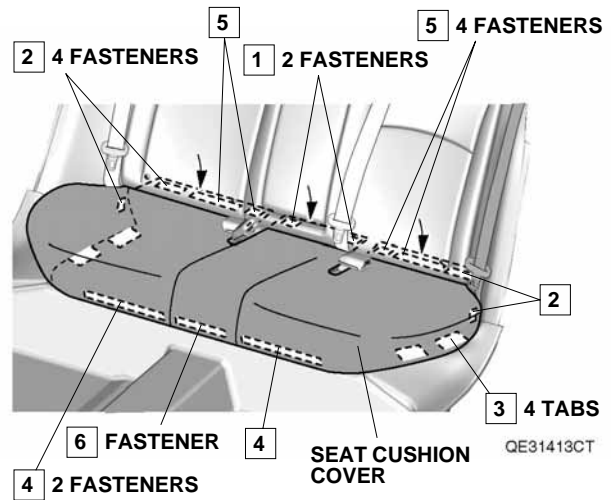


12. Fit the seat cushion cover onto the rear seat cushion.



13. Secure the fasteners to the rear seat cushion, and insert the tabs to the rear seat cushion in the order shown.

NOTE: Be careful not to injure yourself on the vehicles part edges.



14. Slide the center seat belt back into the seat belt guide.