



# INSTALLATION INSTRUCTIONS

Accessory  
REAR BUMPER APPLIQUE  
P/N 08P48-TBA-100

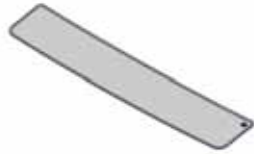
Application  
2018 CIVIC  
4-DOOR  
(EXCEPT Si)

Publications No.  
VERSION 1

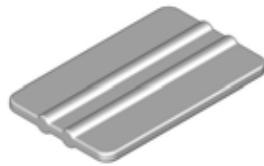
Issue Date  
SEP 2017

## PARTS LIST

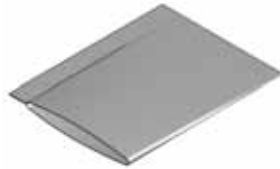
Rear bumper applique



Applicator



Soft sleeve



Alcohol swab



## TOOLS AND SUPPLIES REQUIRED

Shop towel

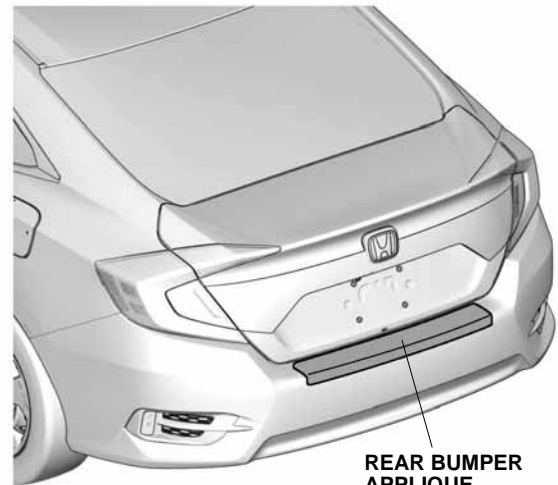
Spray bottle

3M Protective tape application solution

Masking tape

Felt-tip pen

## Illustration of the Rear Bumper Applique on the Vehicle



QE30351AU

## INSTALLATION

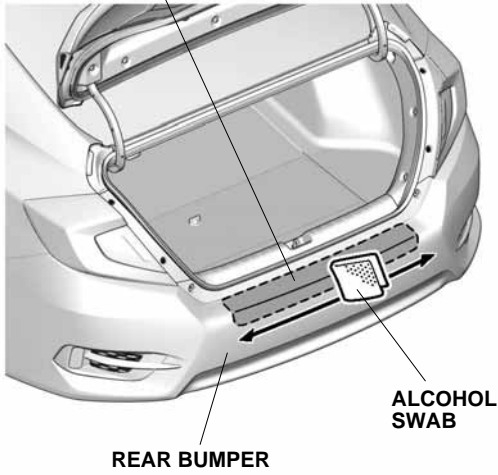
**Customer Information:** The information in this installation instruction is intended for use only by skilled technicians who have the proper tools, equipment, and training to correctly and safely add equipment to your vehicle. These procedures should not be attempted by "do-it-yourselfers."

### NOTE:

- Be careful not to damage the paint finish.
- This rear bumper applique kit should be installed only if the ambient air temperature is 15°C (60°F) or above.
- To allow the adhesive to cure, do not wash the vehicle for 24 hours. Make sure your customer is aware of this.

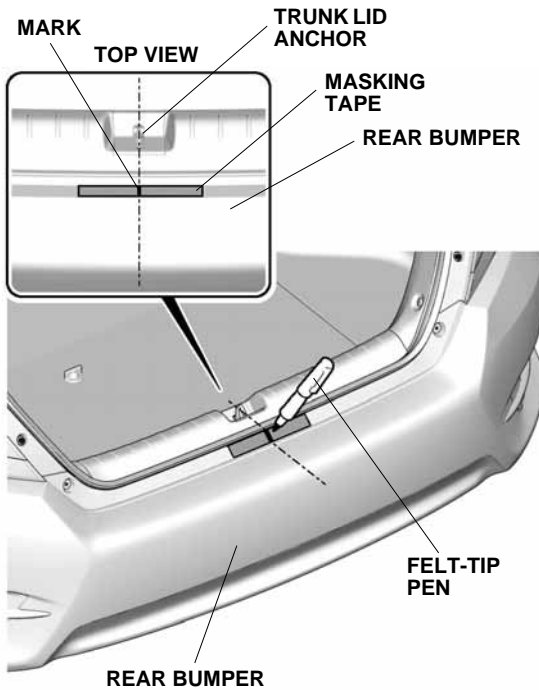
1. Open the trunk lid. Use the alcohol swab to thoroughly clean the area where the rear bumper applique will attach.

**REAR BUMPER APPLIQUE LOCATION  
(Clean with an alcohol swab.)**



QE30352AU

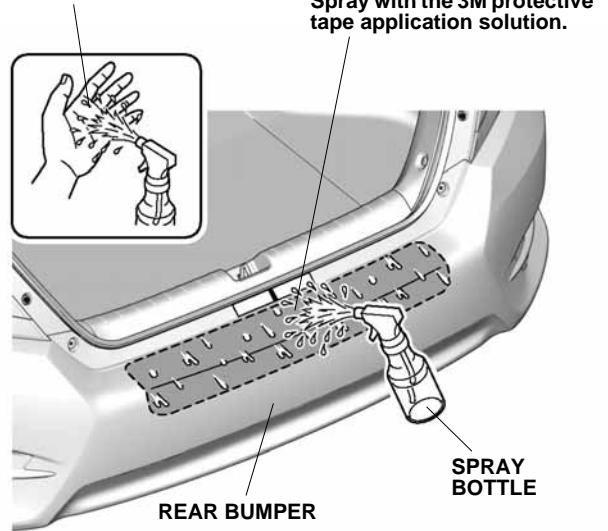
2. Apply a strip of masking tape to the rear bumper in the area shown. Using a felt-tip pen, mark on the tape at the center of the trunk lid anchor.



QE30353BU

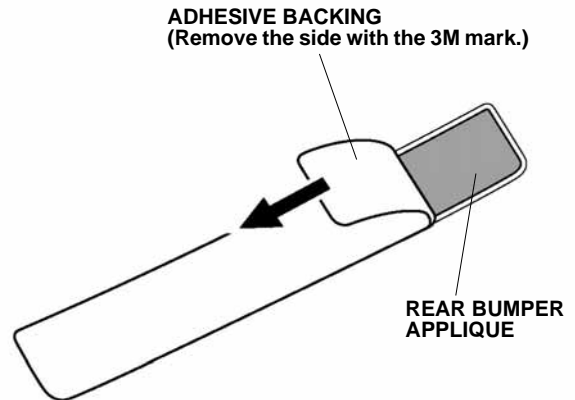
3. Using a spray bottle with the 3M protective tape application solution, spray the area where the rear bumper applique will attach. Spray some solution on your hands.

**Spray with the 3M protective tape application solution.**



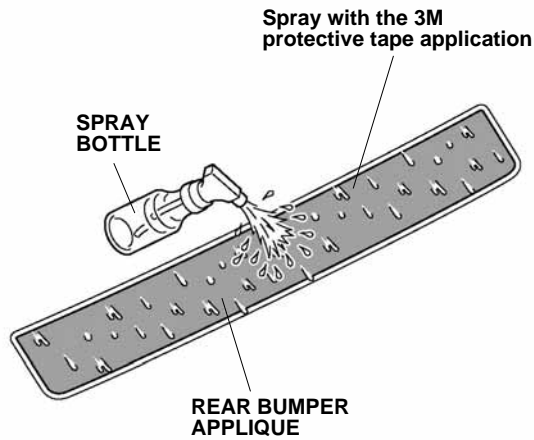
QE30355BU

4. Remove the adhesive backing from the side of the rear bumper applique with the 3M mark.



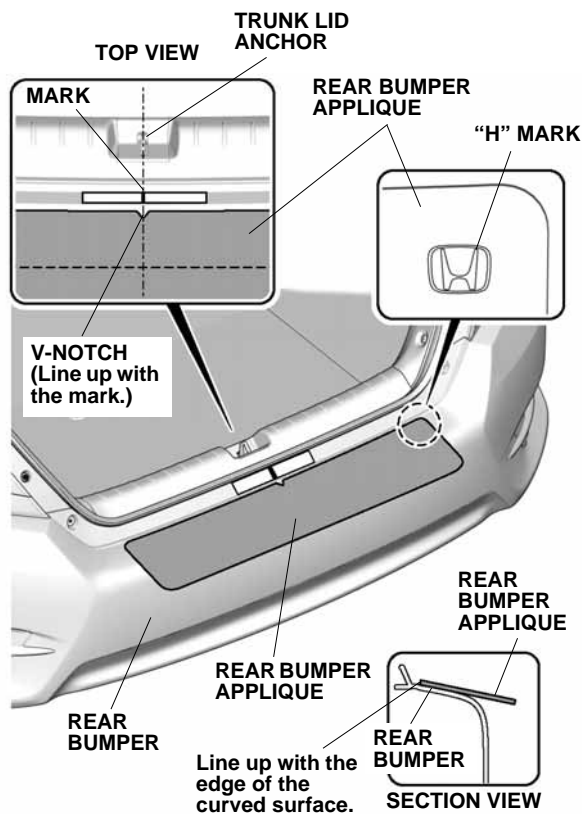
QE30356AU

- Spray the rear bumper applique with the 3M protective tape application solution.



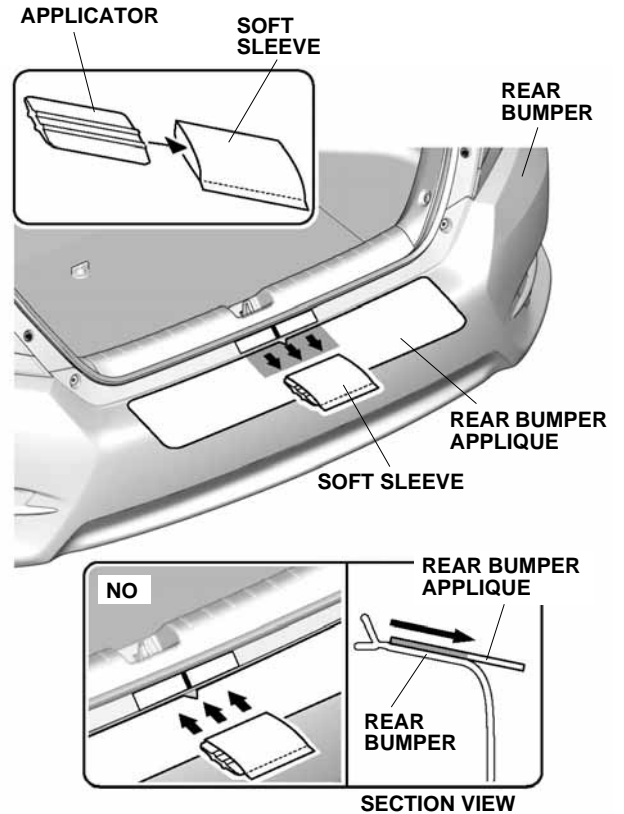
QE30357AU

- Line up the V-notch on the rear bumper applique with the mark on the masking tape. Line up the edge of the rear bumper applique along the edge of the curved surface as shown. Smooth the rear bumper applique against the rear bumper.



QE30358BU

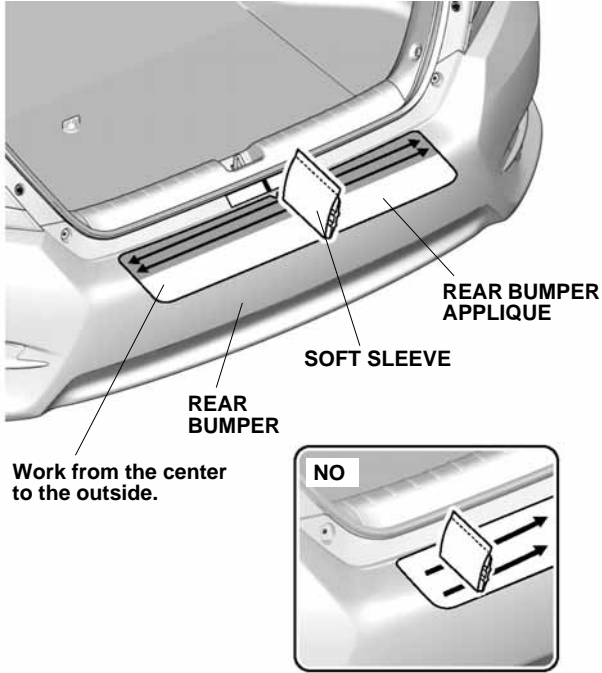
- Insert the applicator into the soft sleeve.



QE30359DU

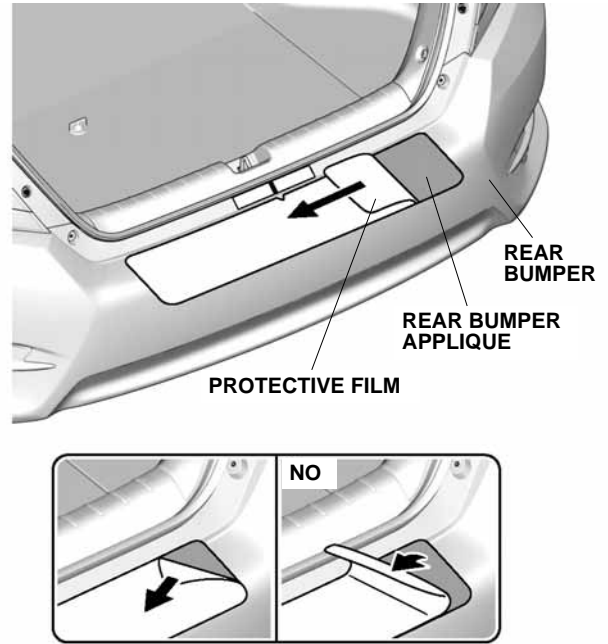
- Starting from the front and working rearward, use the soft sleeve to smooth out the center of the upper section on the rear bumper applique. Move the soft sleeve in one direction only. If you see an air bubble, stop and gently peel up that section to work out the bubble. Work slowly and keep pressure against the rear bumper applique.

- Starting from the center and working outward, use the soft sleeve to smooth out the left and right sides of the upper section on the rear bumper applique. Move the soft sleeve in one direction only. If you see an air bubble, stop and gently peel up that section to work out the bubble. Work slowly and keep pressure against the rear bumper applique.



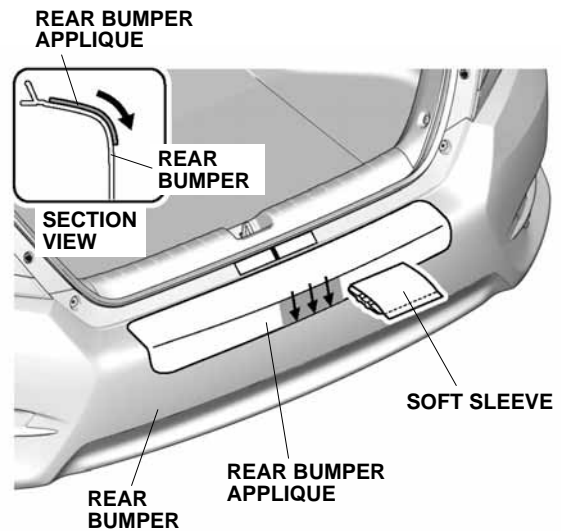
QE30360DU

- Slowly remove the protective film from the rear bumper applique.  
NOTE: Do not pull up on the protective film.



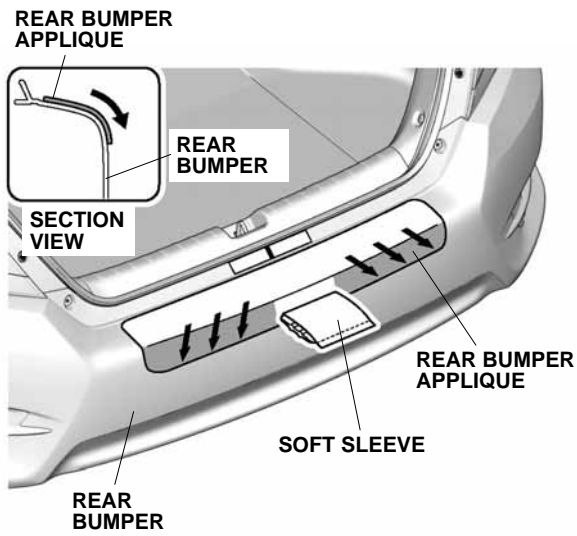
QE30361CU

- Repeat step 8 at the center of the lower section on the rear bumper applique.



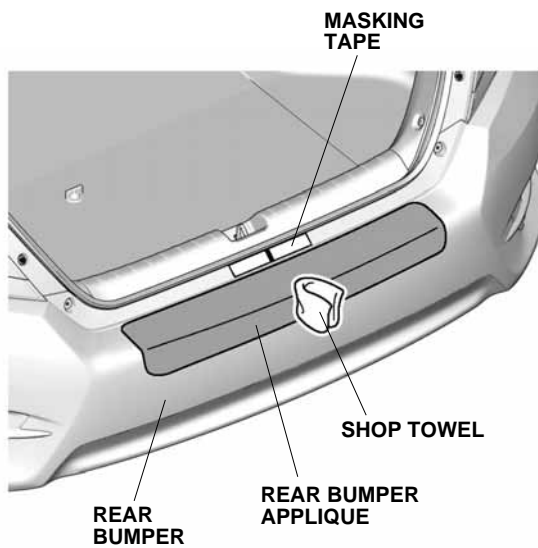
QE30362BU

12. Repeat step 9 at the left and right sides of the lower section on the rear bumper applique.



QE30363BU

13. Using a shop towel, wipe up the 3M protective tape application solution. Allow the rear bumper applique to dry thoroughly. Remove the masking tape.



QE30364BU