

**PARTS LIST**

Rear under spoiler



2 Self-tapping screws



4 Female clips A



2 Female clips B



2 Clips



Alcohol swab



Primer

**TOOLS AND SUPPLIES REQUIRED**

Phillips screwdriver

Flat-tip screwdriver

5 mm Hex wrench

Pushpin

Drill

3 mm, 6 mm, 8 mm, and 10 mm Drill bits

File

Masking tape

Diagonal cutters

Eye protection (face shield, safety goggles, etc.)

Blanket

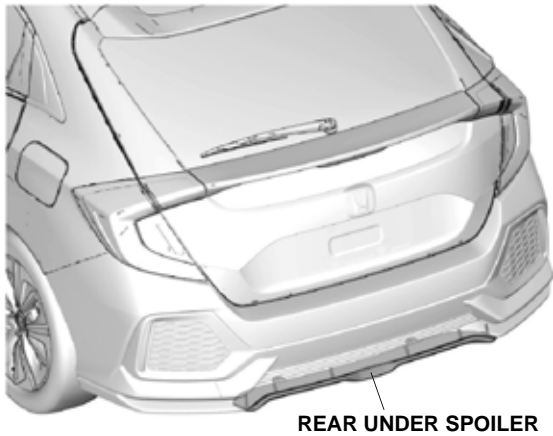
Ruler

Tape measure

*The following tools are available through the Honda Tool and Equipment Program. On the iN, click on Service > Service Bay > Tool and Equipment Program, then enter the number under "Search." Or, call 888-424-6857.*

- Rubber Roller (T/N MHLE54D)
- Trim Tool Set (T/N SOJATP2014)
- Plastic Trim Tool (T/N SILTRIMTL10)

**Illustration of the Rear Under Spoiler Installed on the Vehicle**



QF23001AT

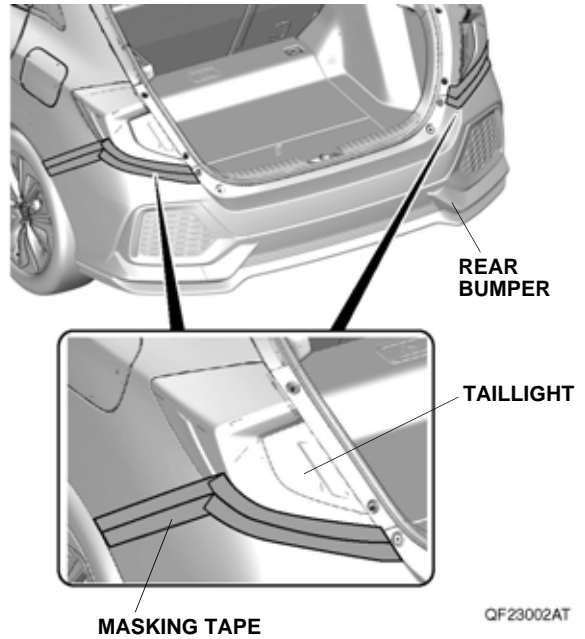
**INSTALLATION**

**Customer Information:** The information in this installation instruction is intended for use only by skilled technicians who have the proper tools, equipment, and training to correctly and safely add equipment to your vehicle. These procedures should not be attempted by “do-it-yourselfers.”

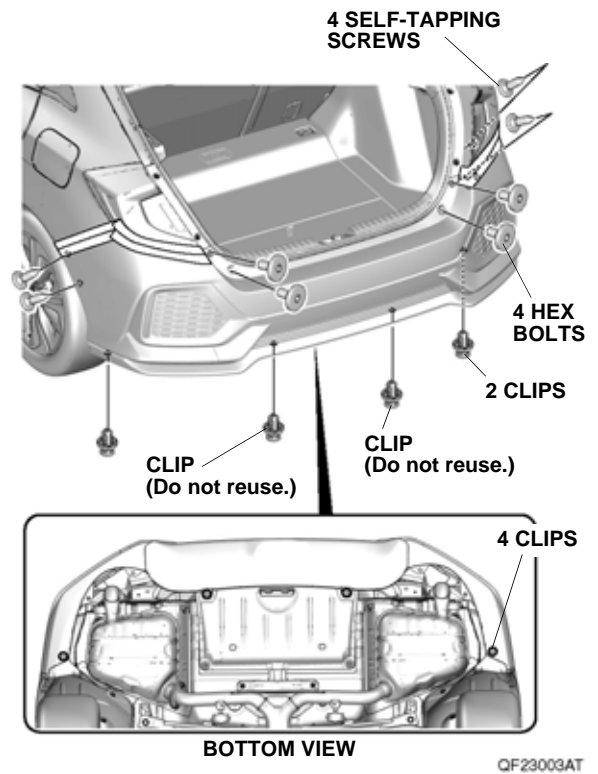
**NOTE:**

- Be careful not to damage the paint finish.
- This rear under spoiler kit should be installed only if the ambient air temperature is 15°C (60°F) or above.
- To allow the adhesive to cure, do not wash the vehicle for 24 hours. Make sure your customer is aware of this.

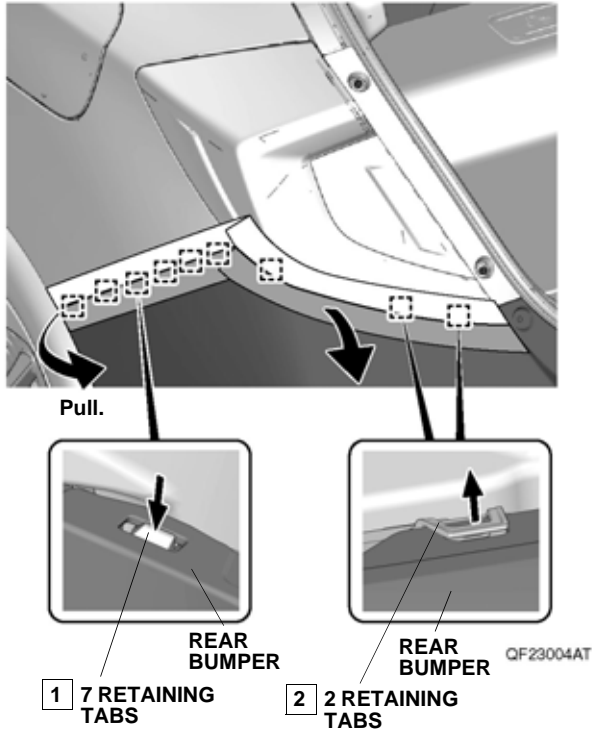
1. Remove the rear bumper:
  - Apply masking tape as shown.



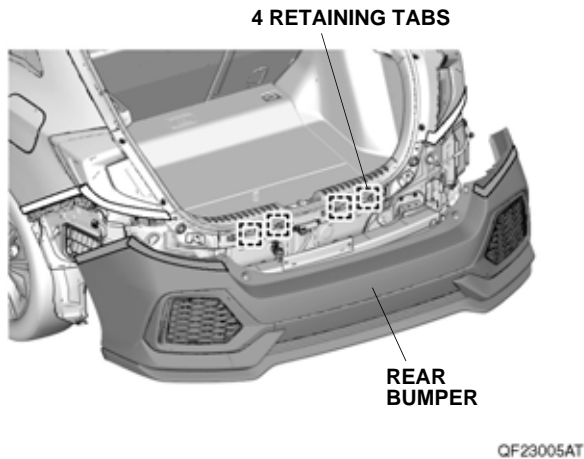
- Remove the four hex bolts, four clips, and four self-tapping screws.



- With the help of an assistant, release the nine retaining tabs on each side.  
NOTE: Release the retaining tabs in the order shown. Make sure you start from the outside edge and release the tabs in the direction shown.

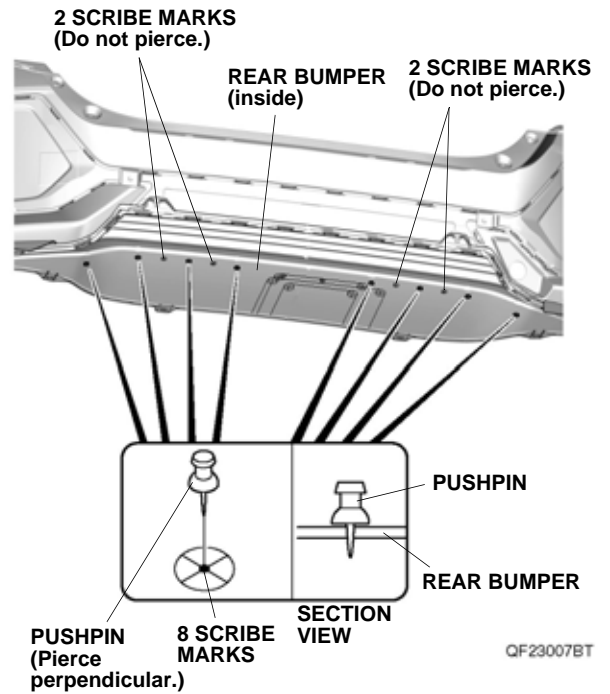


- With the help of an assistant, remove the rear bumper. Place the rear bumper on a blanket to prevent damage.

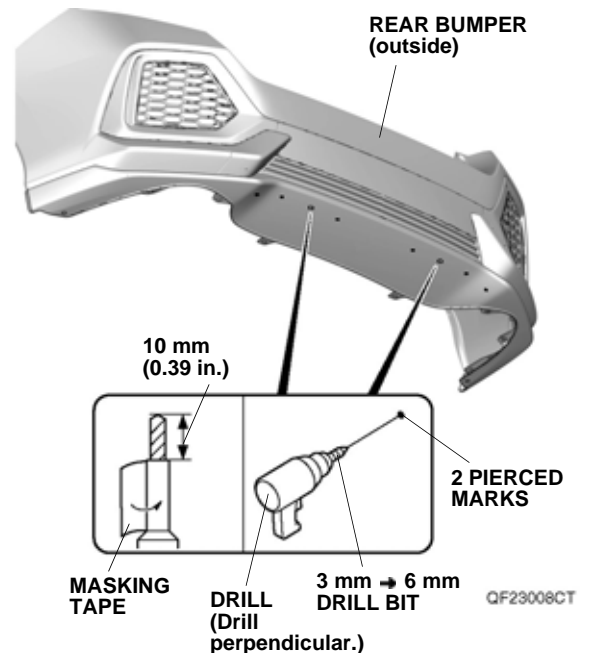


## Installing the Rear Under Spoiler

- Using a pushpin, pierce the eight scribe marks shown.  
NOTE: Make sure to locate the correct scribe marks.



- While wearing eye protection, drill the two pierced marks with a 3 mm drill bit, then finish with a 6 mm drill bit.
  - Wrap masking tape around each drill bit 10 mm (0.39 in.) away from the tip or use a drill stop.

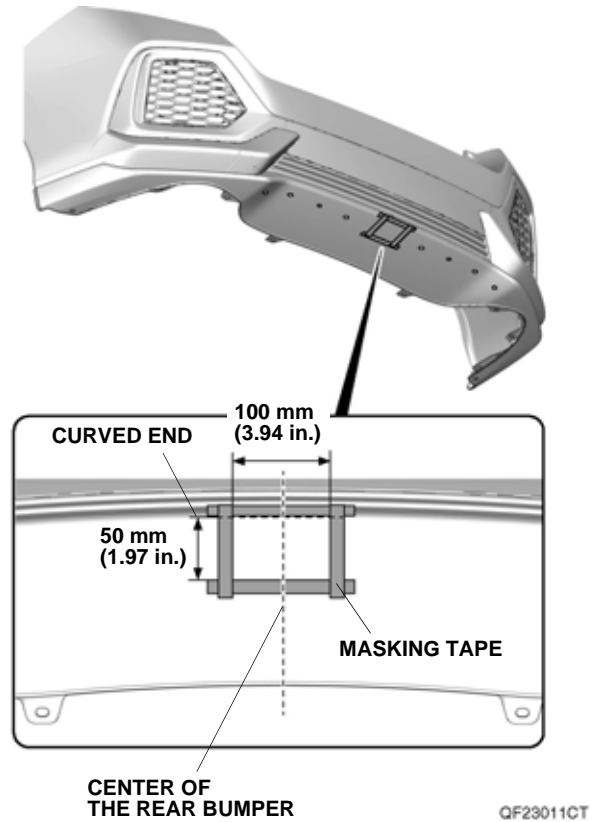


4. While wearing eye protection, drill the six pierced marks with a 3 mm drill bit, with a 6 mm drill bit, with an 8 mm drill bit, then finish with a 10 mm drill bit.
  - Wrap masking tape around each drill bit 10 mm (0.39 in.) away from the tip or use a drill stop.

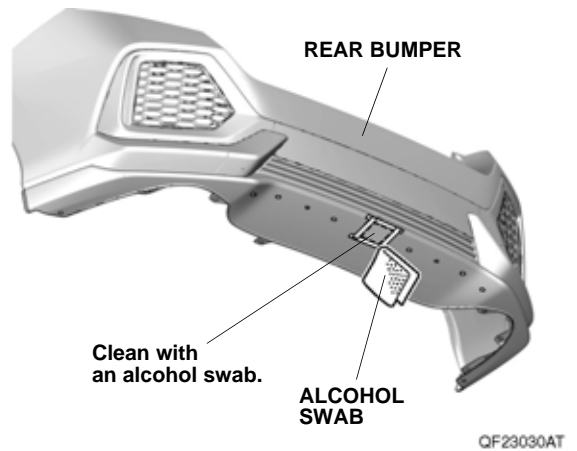


5. Using a file, remove any burrs from the holes.

6. Apply masking tape to the rear bumper as shown.



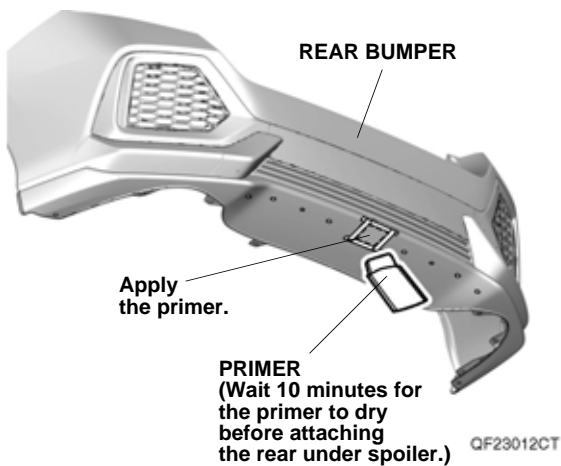
7. Using an alcohol swab, thoroughly clean the rear bumper where the rear under spoiler will attach.



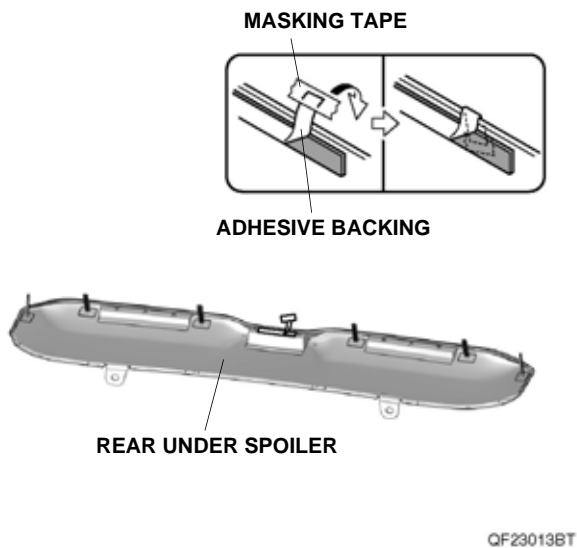
- Apply the primer to the rear bumper where the rear under spoiler will attach.

**NOTE:**

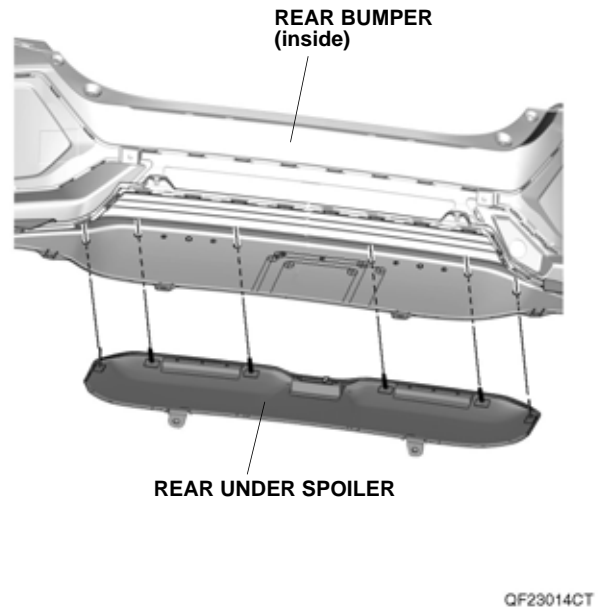
- Apply the primer evenly.
- Be careful not to apply the primer anywhere except the indicated area.
- Do not apply additional primer.
- Wait 10 minutes for the primer to dry before attaching the rear under spoiler.



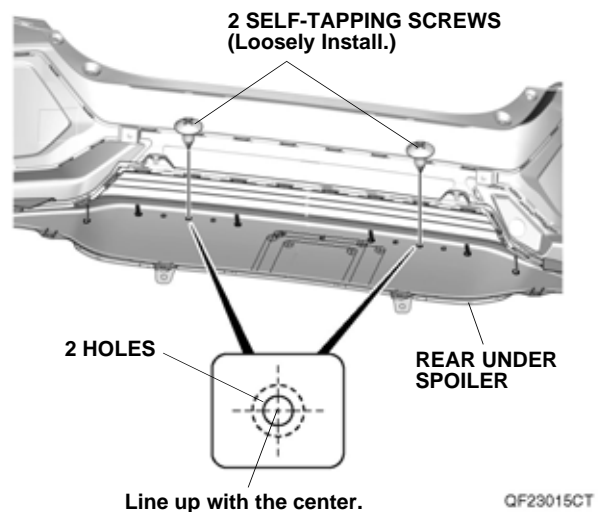
- Remove the masking tape.
- Peel back the adhesive backing, and tape it to the front surface of the rear under spoiler with masking tape.



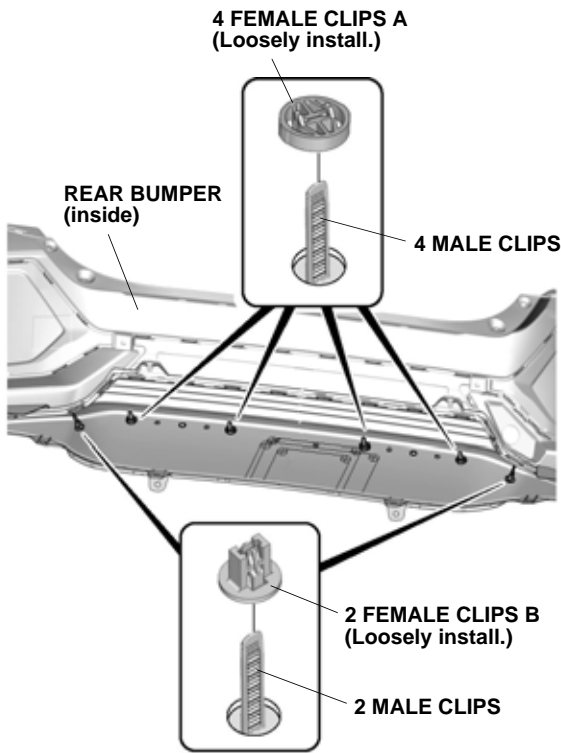
- Install the rear under spoiler to the rear bumper.



- Loosely install the two self-tapping screws.

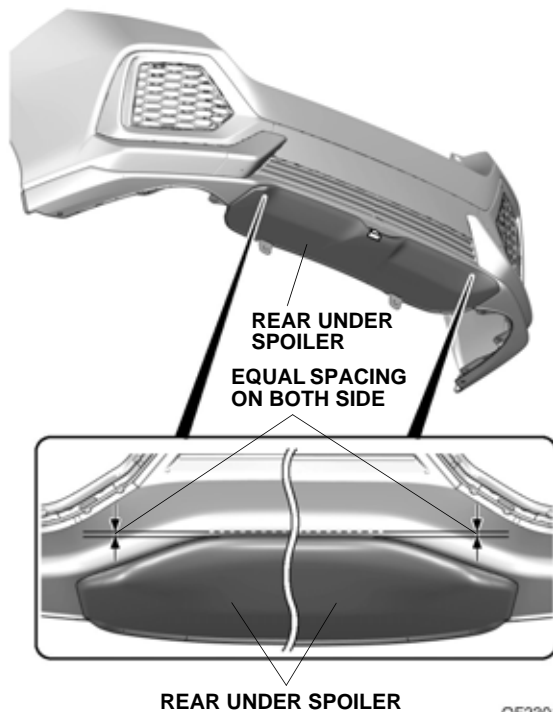


13. Loosely install four female clips A and two female clips B to each of the male clips.



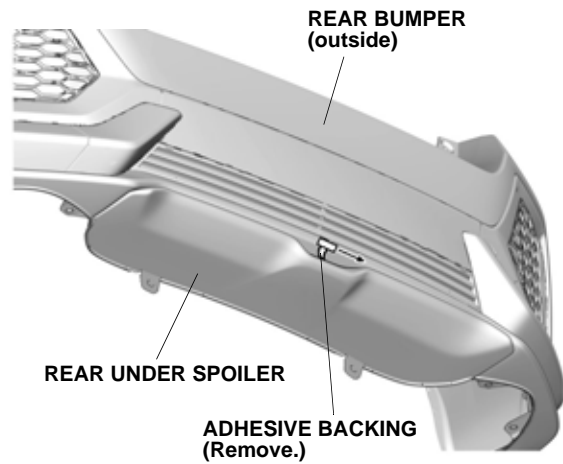
QF23016BT

14. Adjust the position of the rear under spoiler.



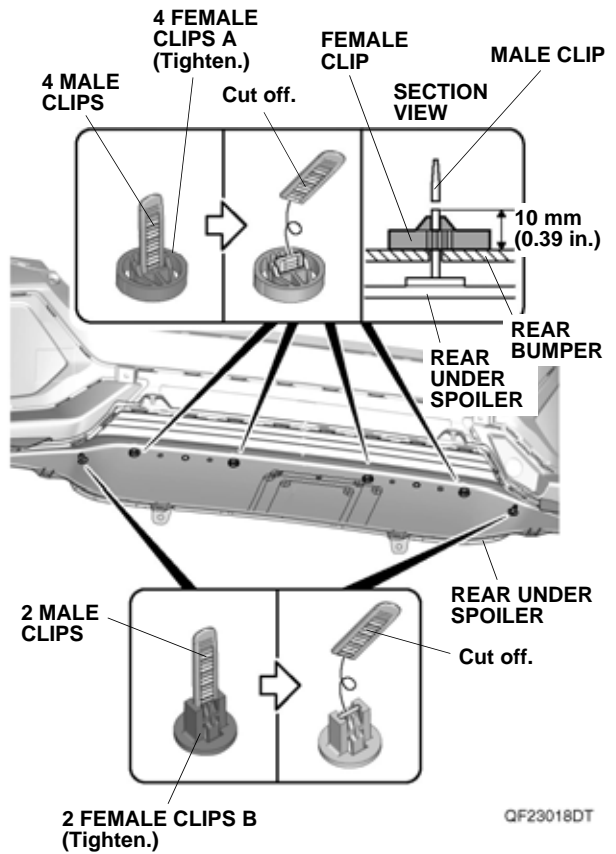
QF23017DT

15. Remove the adhesive backing as shown. Press the rear under spoiler firmly against the rear bumper with the palms of your hands.



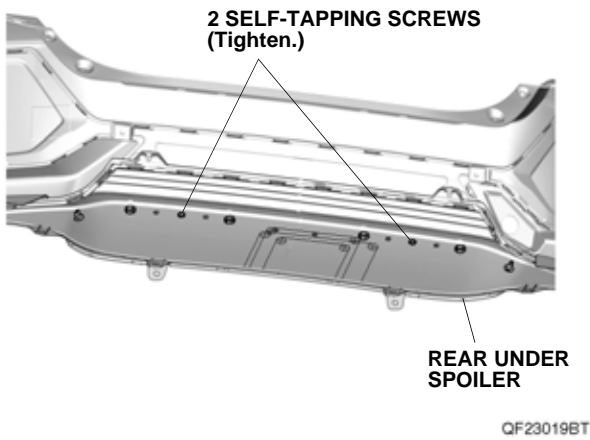
QF23022BT

16. Tighten the four female clips A and two female clips B loosely installed in step 13.  
NOTE: Do not push the female clip too tight, they may deform the rear under spoiler. Readjust the female clip if necessary.

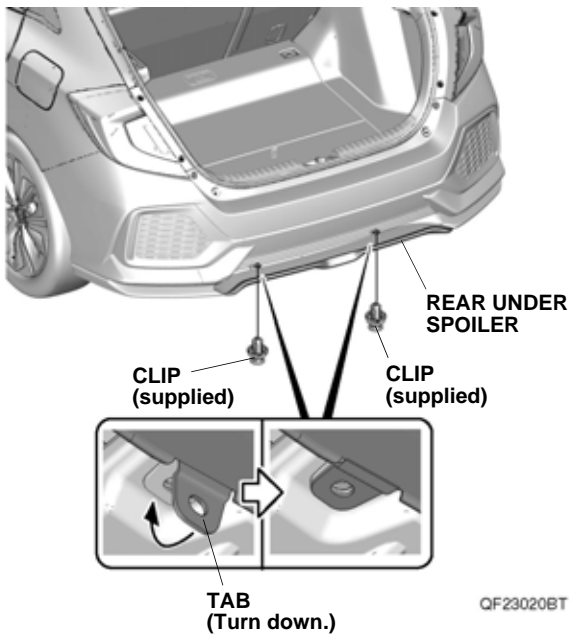


QF23018DT

17. Tighten the two self-tapping screws loosely installed in step 12.



18. With the help of an assistant, install the rear bumper.



19. Using a rubber roller, apply firm pressure while rolling to set the adhesive.

