



# INSTALLATION INSTRUCTIONS

Accessory  
**ALL-SEASON FLOOR MATS**  
P/N 08P17-TBG-300A

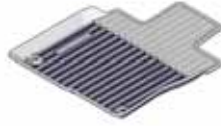
Application  
**2018 CIVIC**  
**2-DOOR**

Publications No.  
**VERSION 1**

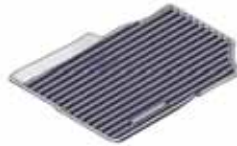
Issue Date  
**SEP 2017**

## PARTS LIST

Driver's all-season floor mat



Passenger's all-season floor mat



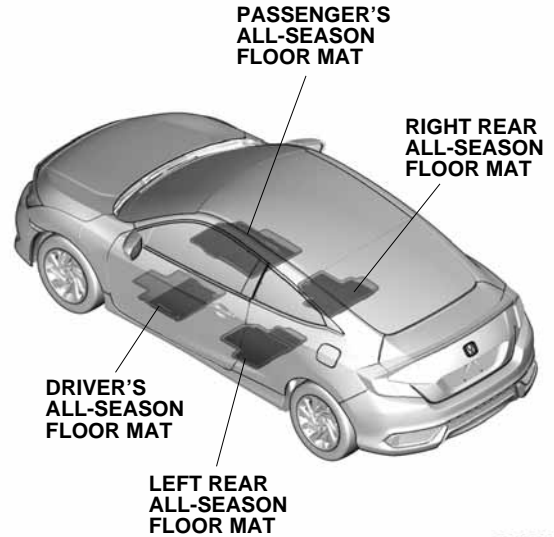
Left rear all-season floor mat



Right rear all-season floor mat



## Illustration of the All-season Floor Mats in the Vehicle



QE62301AU

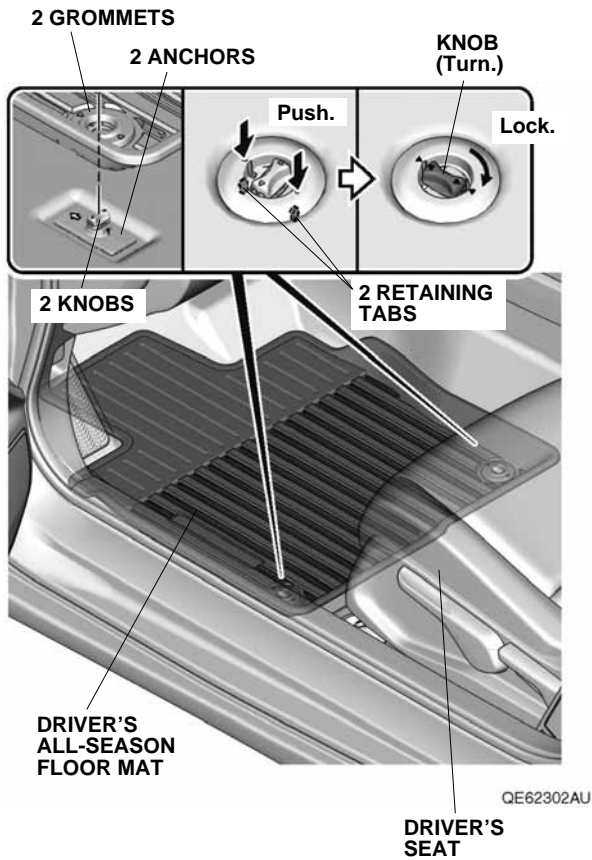
## INSTALLATION

### NOTE:

- Before installing the mats, identify their installation positions.
- Connect the mat to the anchors to prevent the mat from sliding forward and possibly interfering with the pedals.
- If you remove a mat, make sure you re-anchor it when you put it back in your vehicle.
- If you replace a mat, use a factory mat designed to be used with the anchors.
- If you use a non-factory mat in the driver's footwell, make sure it fits properly and that it can be used with the anchors.
- Do not put an additional mat on top of the anchored mat. An additional mat may slide forward and possibly interfere with the pedals.

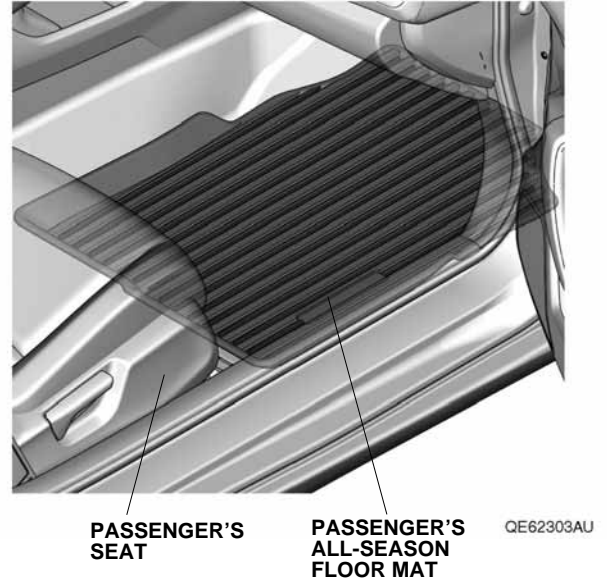
## Installing the All-season Floor Mats

1. Remove the floor mats as described in the vehicle Owner's Manual.



2. Place the grommets in the driver's all-season floor mat over the anchors. Push the grommets into the anchors to secure the retaining tabs, then turn the knobs 90° to secure the driver's all-season floor mat.

3. Place the passenger's all-season floor mat as shown.



4. Place the left rear all-season floor mat as shown.



5. Place the grommet in the right rear all-season floor mat over the anchor. Push the grommet into the anchor to secure the retaining tabs, then turn the knob 90° to secure the right rear all-season floor mat.

