

**PARTS LIST**

Moonroof visor

2 Brackets A  
(Identification mark: TVA A)Left bracket B  
(Identification mark: TVA-L B)Right bracket B  
(Identification mark: TVA-R B)

4 Screws



4 Nuts



4 Protective tapes



2 Alcohol wipes

**TOOLS AND SUPPLIES REQUIRED**

Phillips screwdriver

10 mm Open end wrench

Ruler

Shop towels

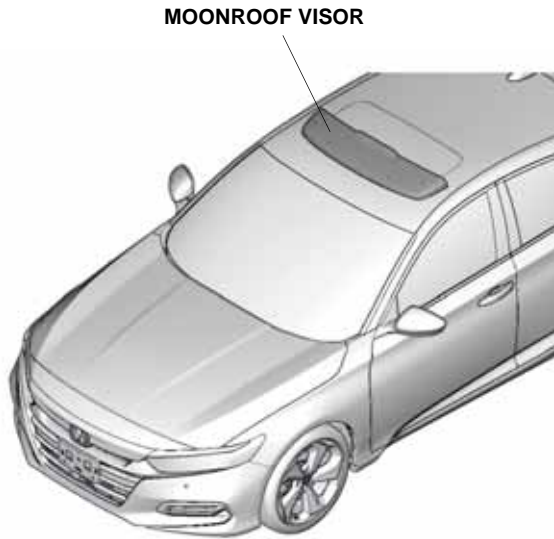
Masking tape

Felt-tip pen

*The following tool is available through the Honda Tool and Equipment Program. On the iN, click on Service > Service Bay > Tool and Equipment Program, then enter the number under "Search." Or, call 888-424-6857.*

Torque Screwdriver (T/N CDI401SM)

## Illustration of the Moonroof Visor on the Vehicle



QG13101AN

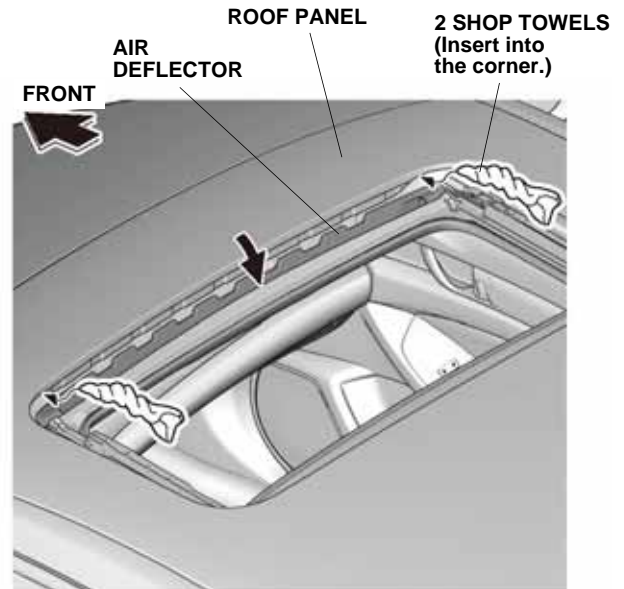
## INSTALLATION

**Customer Information:** The information in this installation instruction is intended for use only by skilled technicians who have the proper tools, equipment, and training to correctly and safely add equipment to your vehicle. These procedures should not be attempted by "do-it-yourselfers."

### NOTE:

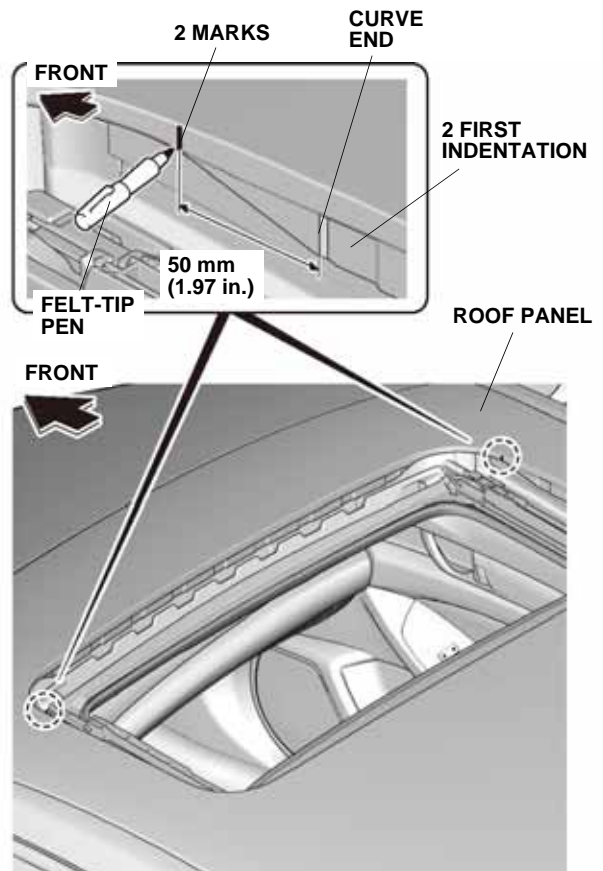
- Be careful not to damage the body paint finish.
- This kit should be installed only if the ambient air temperature is 15°C (60°F) or above.
- Clean the areas to be covered.
- To allow the adhesive to cure, do not wash the vehicle for 24 hours. Make sure the customer is aware of this.

1. Open the moonroof. Roll up the two shop towels, and insert them between the roof panel and air deflector to lower the air deflector.  
NOTE: Be careful not to damage the air deflector.



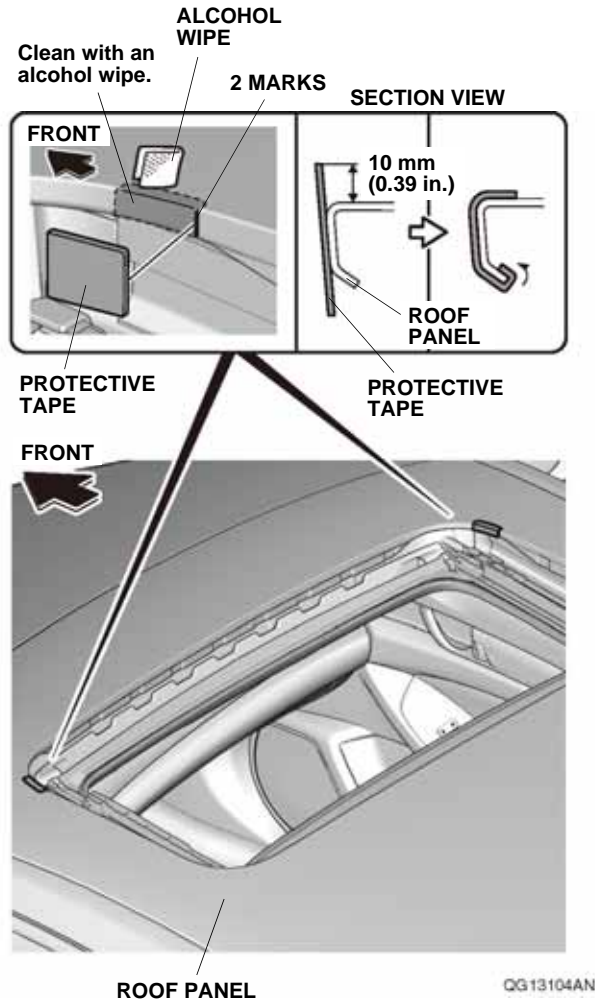
QG13102AN

2. Measure and make the two marks on the roof panel as shown.



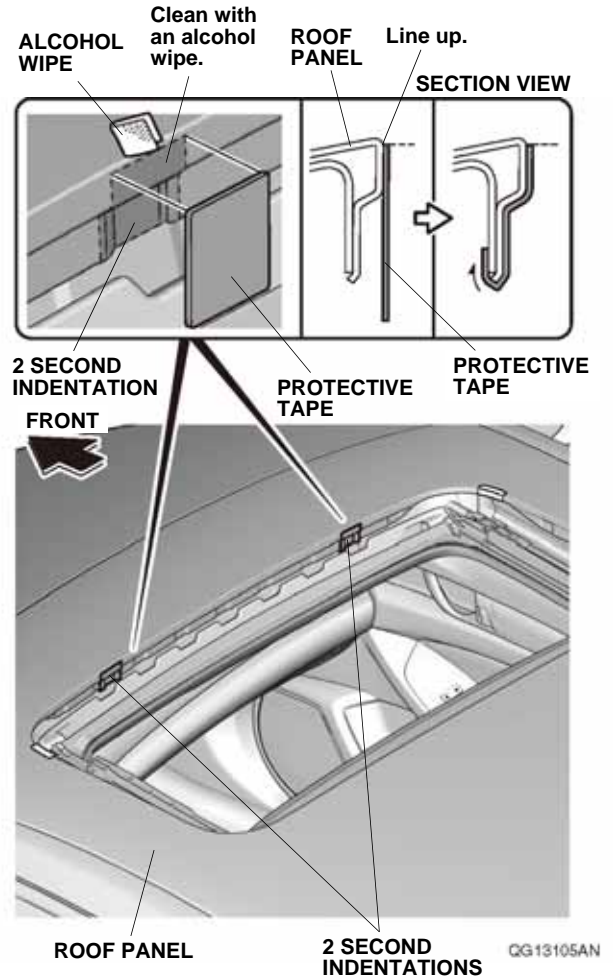
QG13103AN

- Using an alcohol wipe, thoroughly clean the roof panel at each of the two marks you have made, but do not wipe off the marks.



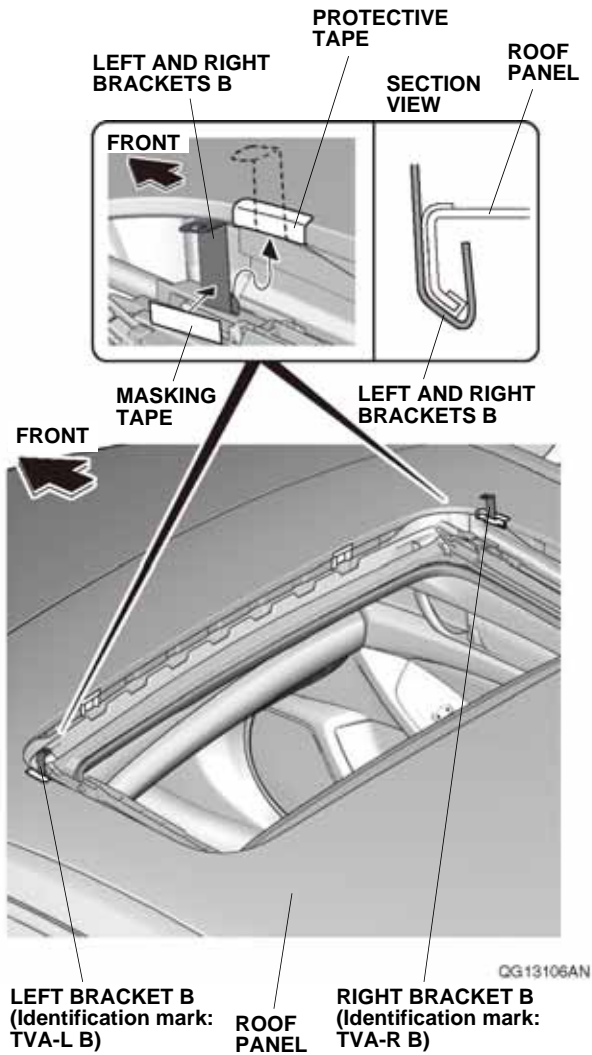
- Remove the adhesive backings from two pieces of protective tape, and attach one to the roof panel at each of the two marks you made. Wrap 10 mm (0.39 in.) of the protective tape around the lip of the moonroof opening.

- Locate the second indentations from the right front corner and left front corner of the moonroof opening. Using an alcohol wipe, thoroughly clean the roof panel where the protective tape will attach.

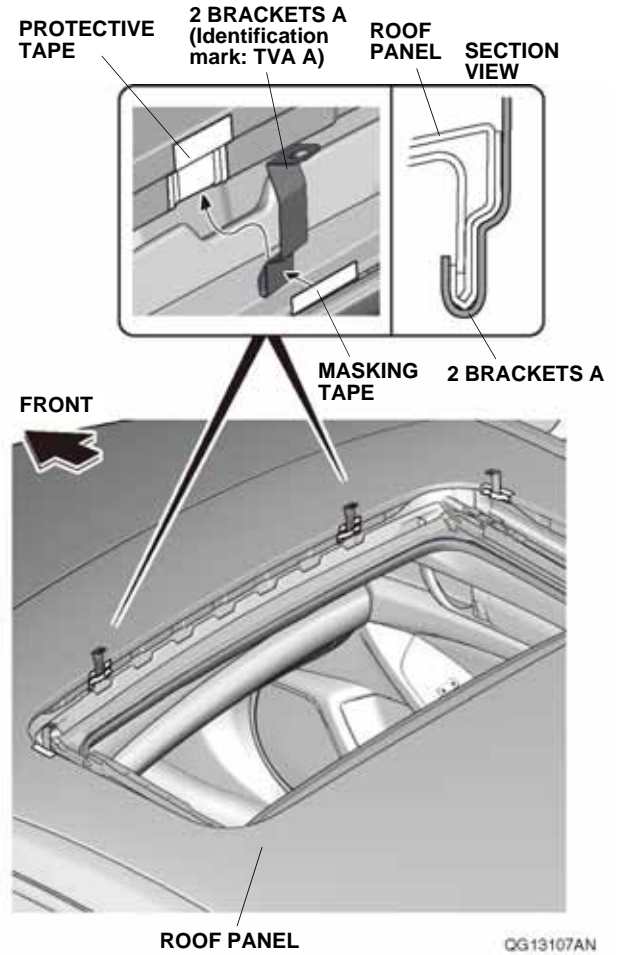


- Remove the adhesive backings from two pieces of protective tape, and attach one to the roof panel at each second indentation.

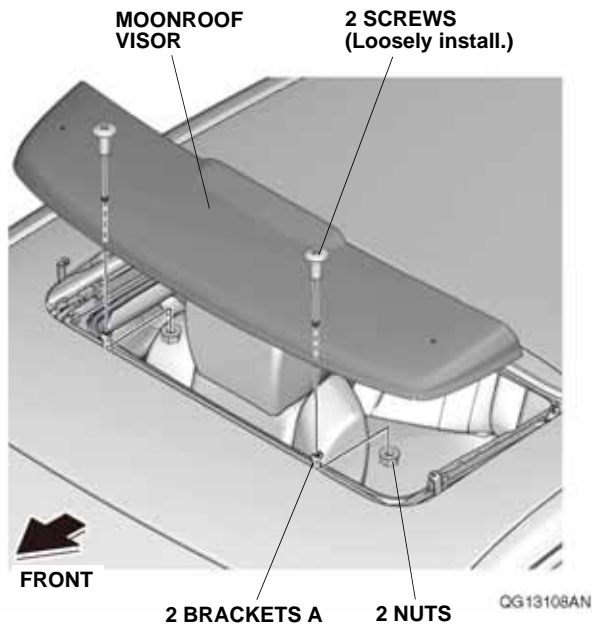
7. Place the left and right brackets B over the two pieces of protective tape and around the lip of the roof panel, and tape them into position with the strips of masking tape.  
 NOTE: Be careful not to crease the protective tape.



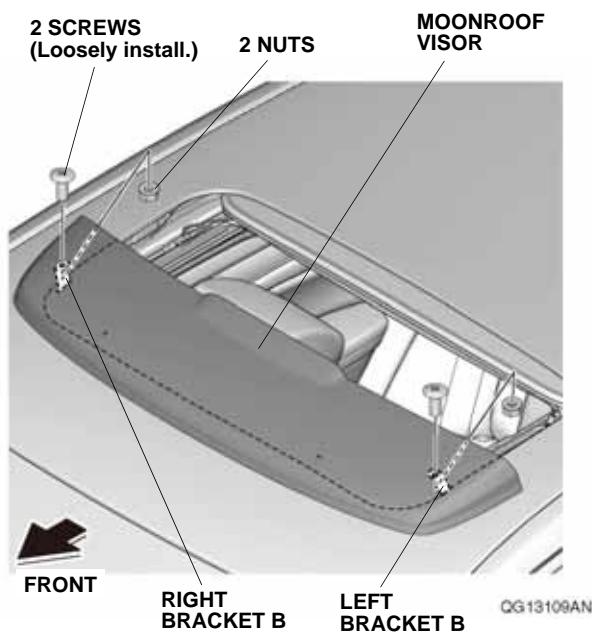
8. Place the two brackets A over the two pieces of protective tape and around the lip of the roof panel, and tape them into position with the strips of masking tape. Be sure to line up the lower end of brackets A with the first indentation.  
 NOTE: Be careful not to crease the protective tape.



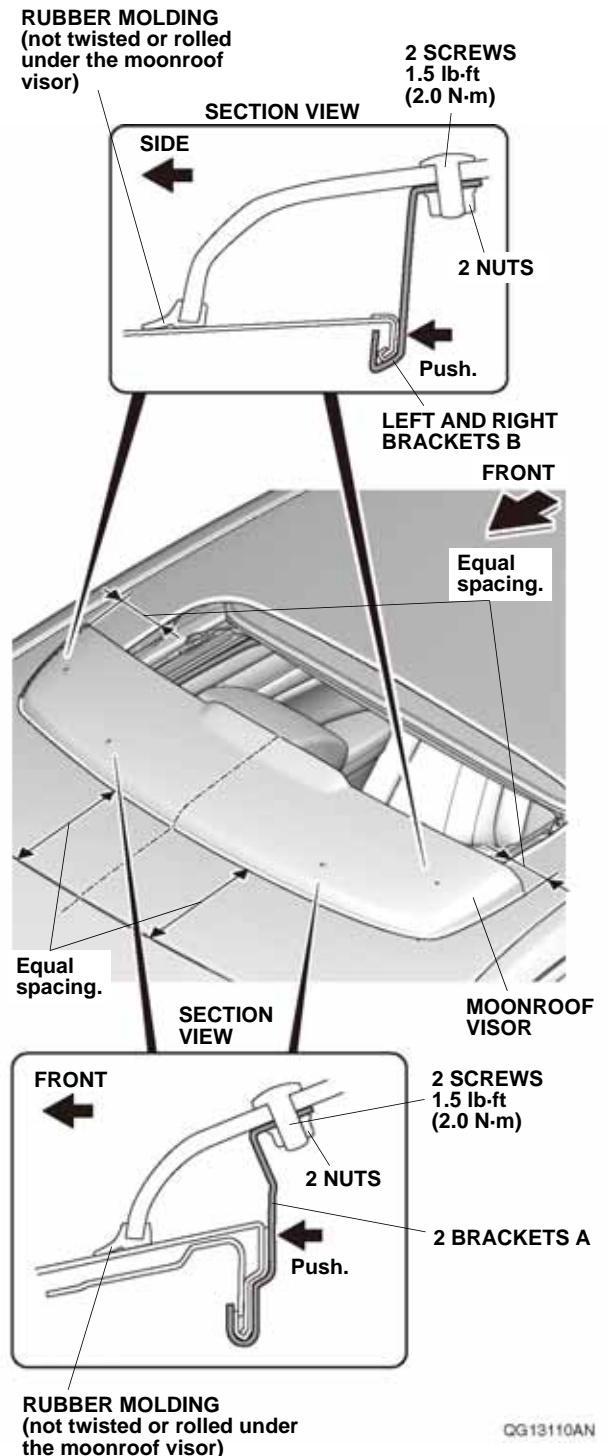
9. Set the moonroof visor on the roof in front of the moonroof opening, and adjust its position so the holes in the moonroof visor are lined up with the holes in brackets A. Loosely install the moonroof visor to brackets A with two screws and two nuts. Remove the strips of masking tape from brackets A.



10. Loosely install the moonroof visor to the left and right brackets B with two screws and two nuts. Remove the strips of masking tape from the left and right brackets B.

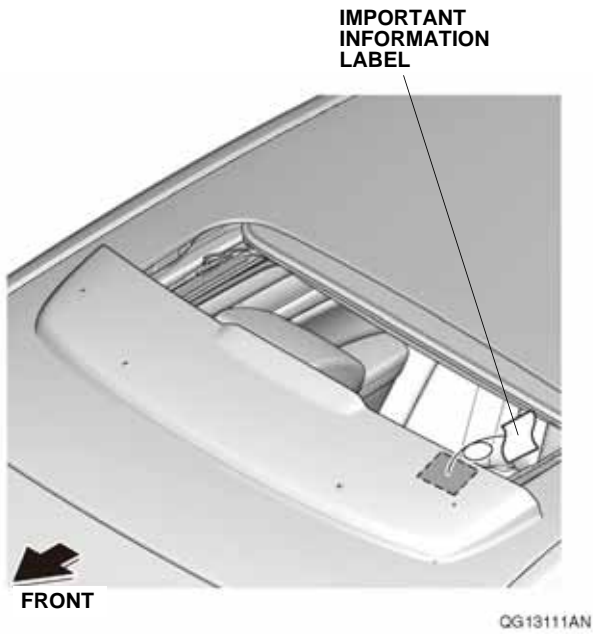


11. Position the moonroof visor with equal spacing on each side. Check that the rubber molding is not twisted or rolled under the moonroof visor.



12. Tighten the two screws and two nuts on the front of the vehicle first, then tighten the two screws and two nuts on each side. Tighten while applying pressure so there is no gap between the roof panel and the brackets A and B. Torque the screws to 1.5 lb-ft (2.0 N-m).

13. Remove the shop towels inserted in step 1. Remove the IMPORTANT INFORMATION label.



**Put a copy of this page in the glove box for your customer.**

#### CARE OF THE MOONROOF VISOR

- To avoid damaging the surface, do not use organic solvents such as gasoline, ammonia-based cleaners, or solvents to clean the moonroof visor.
- Clean with neutral detergent solution and water using a soft cloth or chamois.
- To remove fine scratches and restore the original luster, use Meguiar's Mirror Glaze plastic cleaner and polish or an equivalent high-quality plastic cleaner.