



# INSTALLATION INSTRUCTIONS

Accessory  
**ILLUMINATED  
DOOR SILL TRIMS**  
P/N 08E12-TVA-100A

Application  
**2018 ACCORD**

Publications No.  
**VERSION 1**

Issue Date  
**OCT 2017**

## PARTS LIST

Right front illuminated door sill trim  
(Identification mark: R)



Left front illuminated door sill trim  
(Identification mark: L)



Right rear door sill trim  
(Identification mark: R)



Left rear door sill trim  
(Identification mark: L)



Illuminated door sill trim harness



Fuse label



20 Wire ties  
(Some may not be used)

Wire tie with clip A



Wire tie with clip B



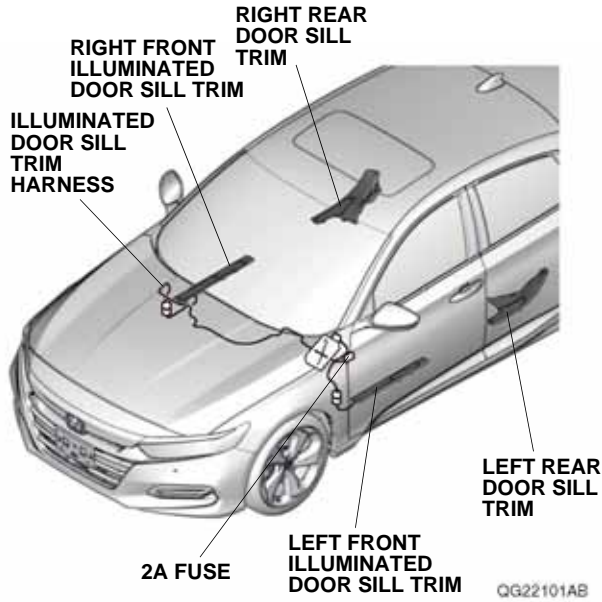
## TOOLS AND SUPPLIES REQUIRED

- Diagonal cutters
- 10 mm Open end wrench
- Isopropyl alcohol
- Phillips screwdriver
- Shop towel
- Steel wire
- Masking tape

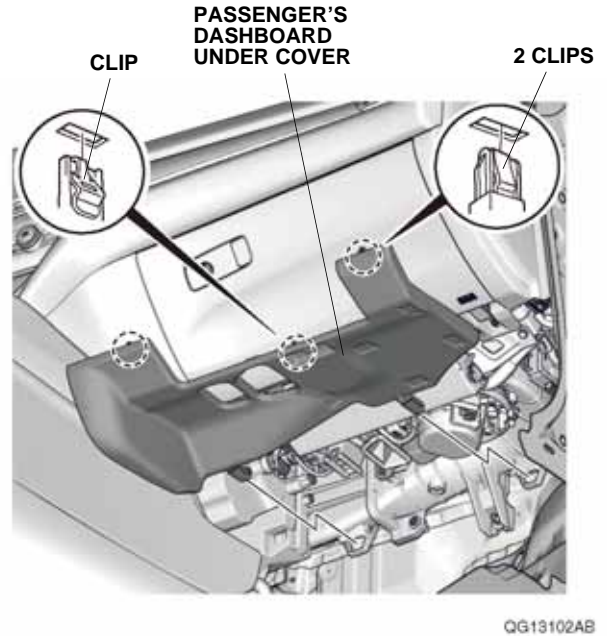
*The following tools are available through the Honda Tool and Equipment Program. On the iN, click on Service > Service Bay > Tool and Equipment Program, then enter the number under "Search." Or, call 888-424-6857.*

- Trim Tool Set (T/N SOJATP2014)
- Plastic Trim Tool (T/N SILTRIMTL10)

**Illustration of the Illuminated Door Sill Trims on the Vehicle**



2. Remove the passenger's dashboard under cover.

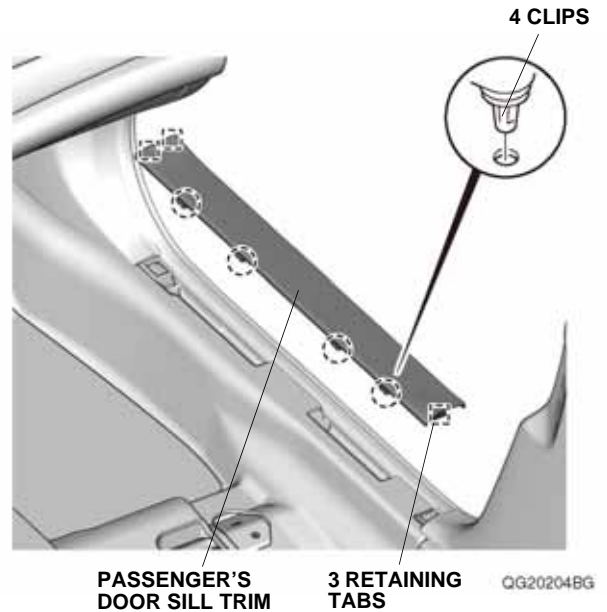


**INSTALLATION**

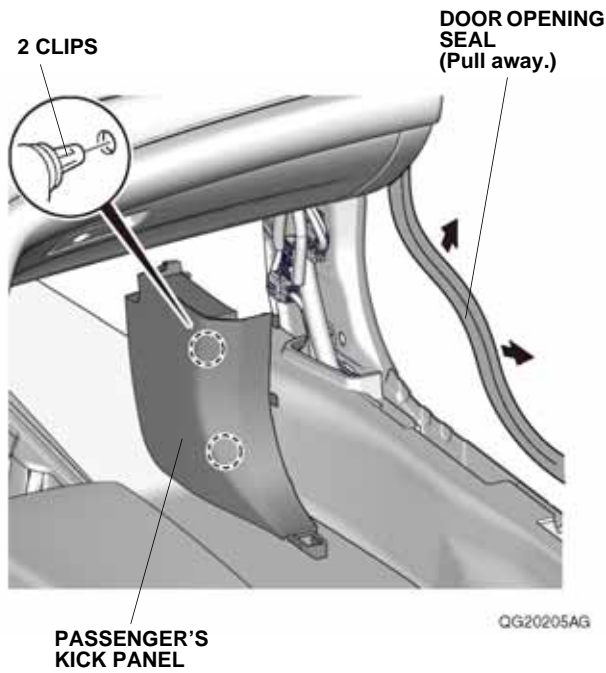
**Customer Information:** The information in this installation instruction is intended for use only by skilled technicians who have the proper tools, equipment, and training to correctly and safely add equipment to your vehicle. These procedures should not be attempted by "do-it-yourselfers."

1. Disconnect the negative cable from the battery.

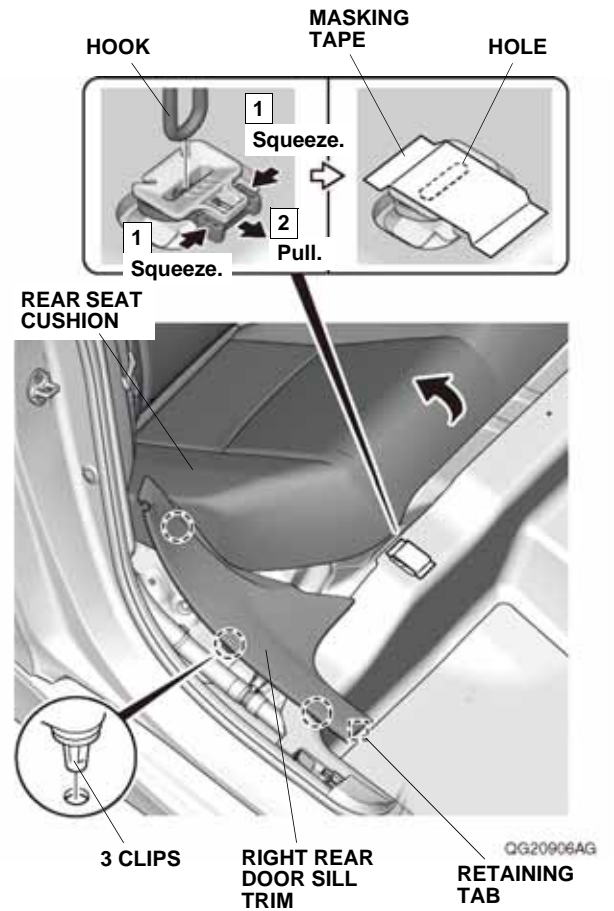
3. Remove the passenger's door sill trim.



4. Pull away the door opening seal and remove the passenger's kick panel.

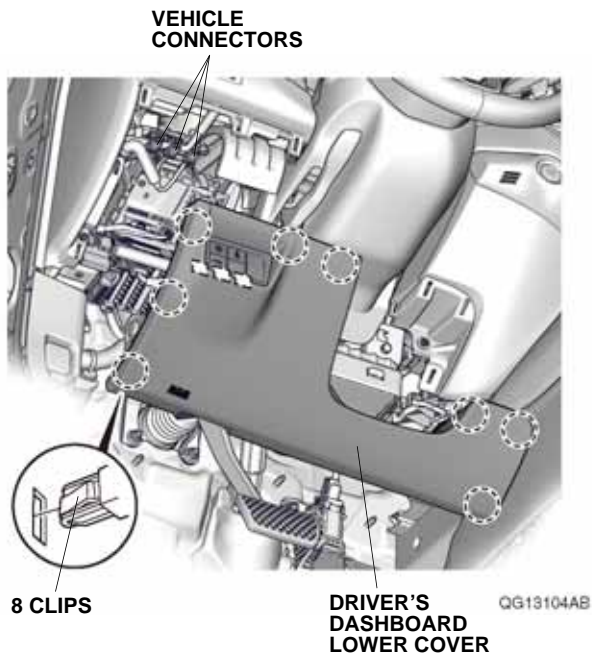


5. Release and pull up on the rear seat cushion. Place a piece of masking tape as shown to prevent the hook from re-engaging.

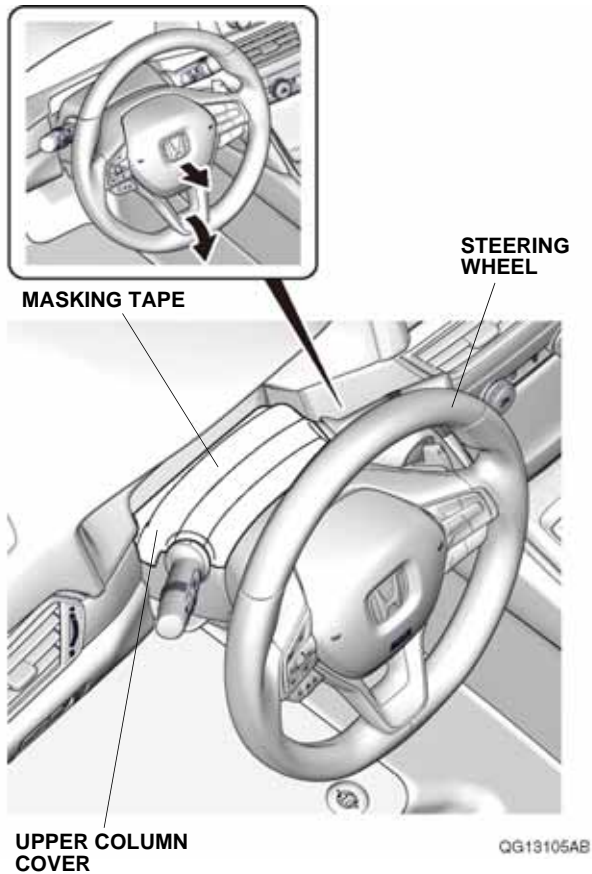


6. Remove the right rear door sill trim.

- Remove the driver's dashboard lower cover and unplug the vehicle connectors.

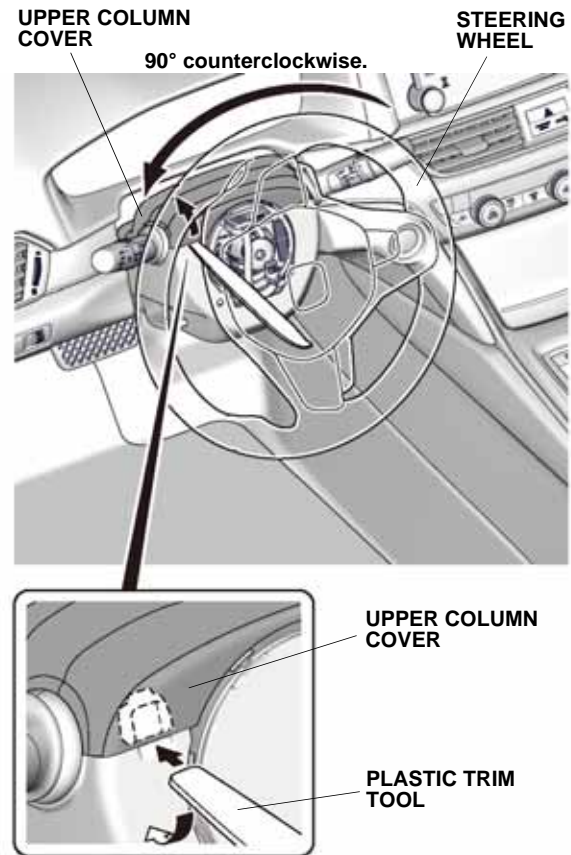


- Lower and pull out the steering wheel as shown.



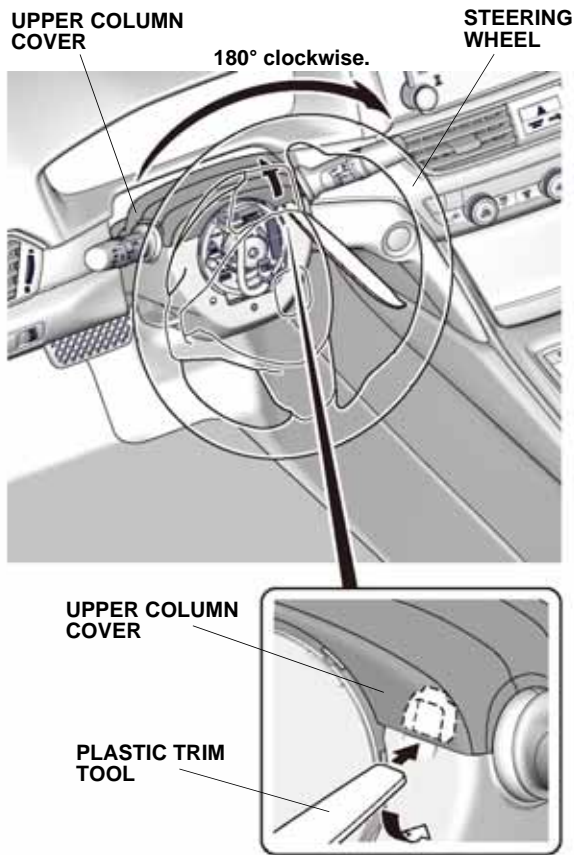
- Apply masking tape to the upper column cover.

- Connect the negative cable to the battery, then turn the ignition to ON. Turn the steering wheel 90° counterclockwise. Using a plastic trim tool, release the upper column cover.



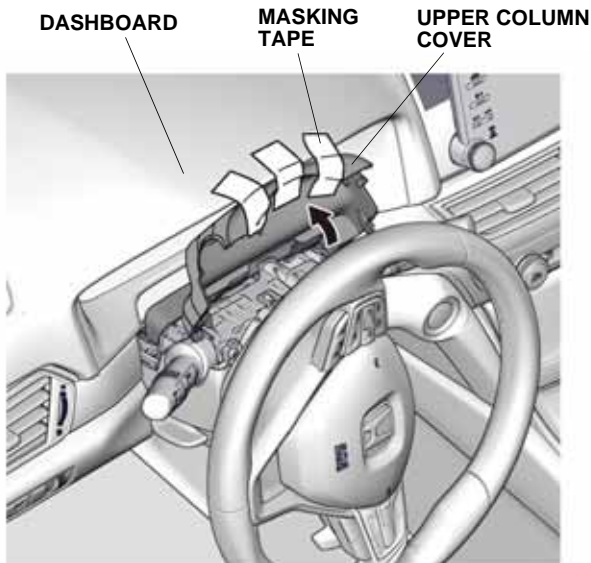


- Turn the steering wheel 180° clockwise. Using a plastic trim tool, release the upper column cover.



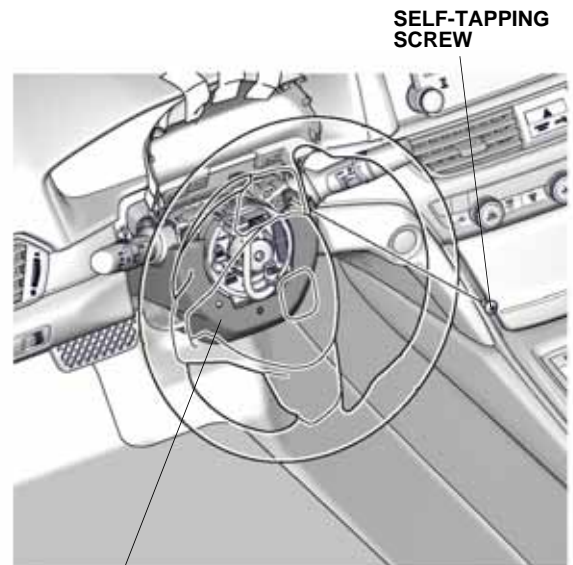
QG13107AB

- Release the upper column cover and secure it to the dashboard with masking tape.



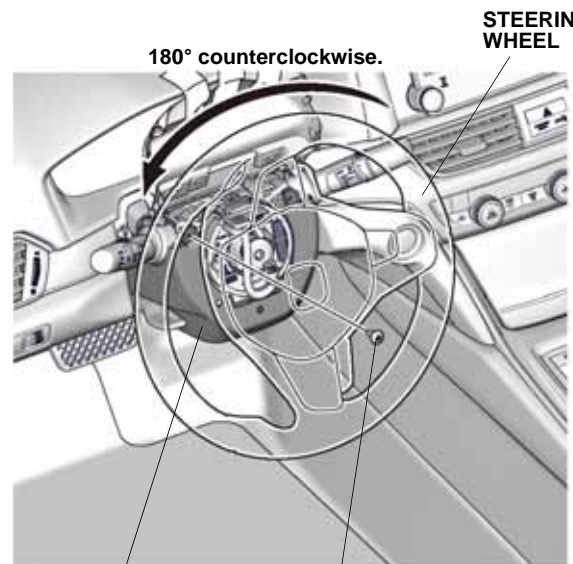
QG13108AB

- Remove the self-tapping screw from the lower column cover.



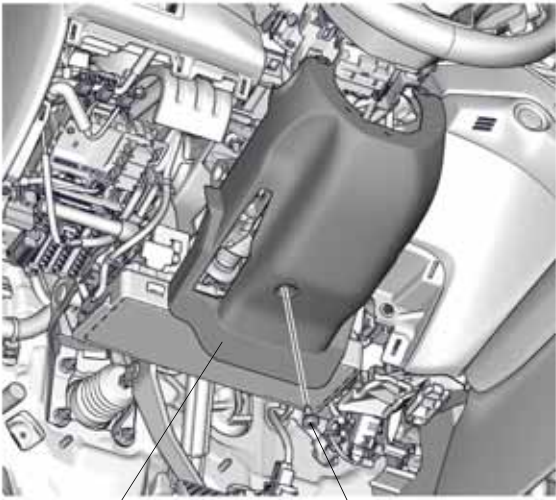
QG13109AB

- Turn the steering wheel 180° counterclockwise, and remove the other self-tapping screw from the lower column cover.



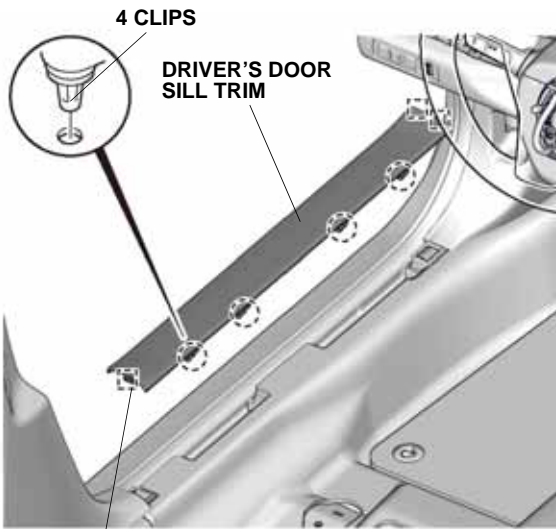
QG13110AB

15. Remove the lower column cover.



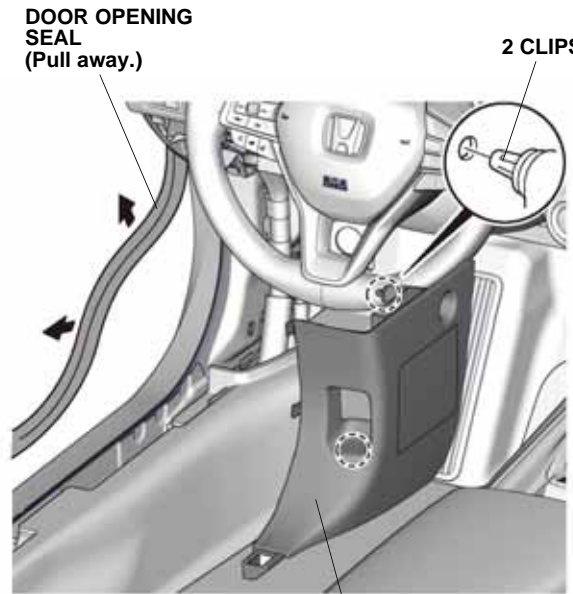
**LOWER COLUMN COVER**      **SELF-TAPPING SCREW**      QG13111AB

16. Turn the ignition to OFF, then disconnect the negative cable from the battery.  
17. Remove the driver's door sill trim.



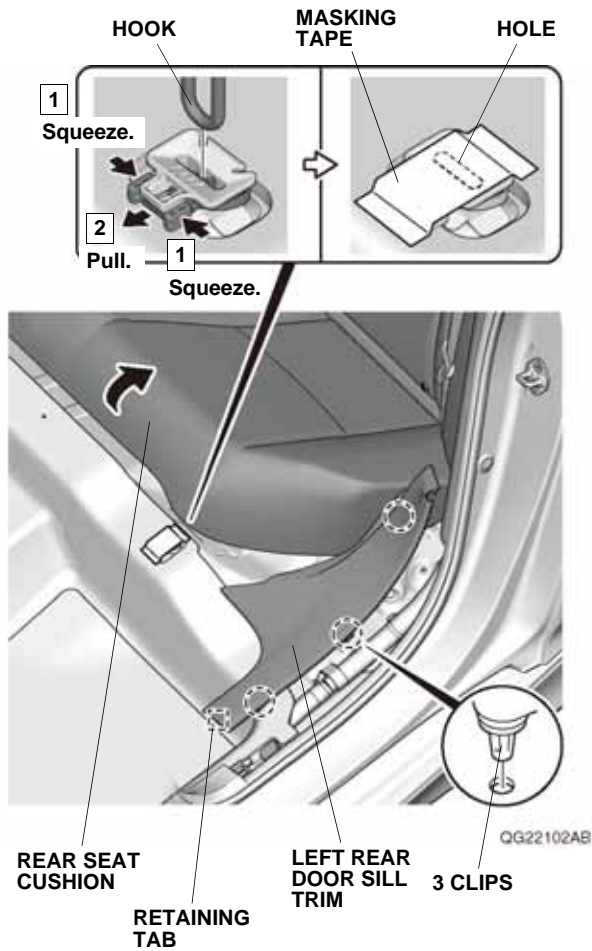
**4 CLIPS**  
**DRIVER'S DOOR SILL TRIM**  
**3 RETAINING TABS**      QG20207BG

18. Pull away the door opening seal and remove the driver's kick panel.



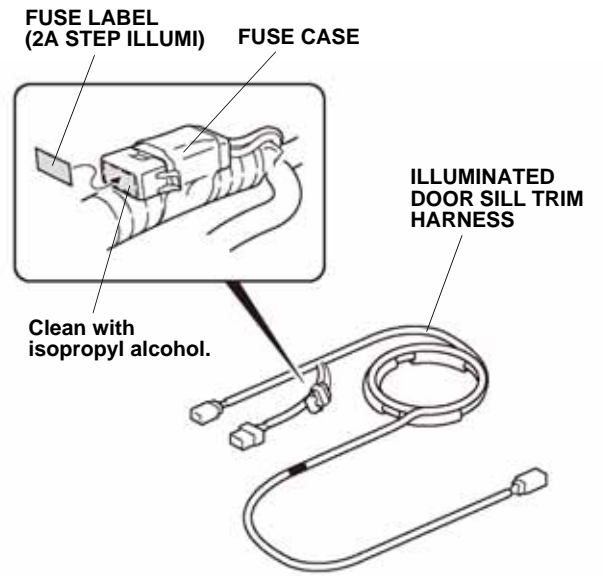
**DOOR OPENING SEAL (Pull away.)**      **2 CLIPS**  
**DRIVER'S KICK PANEL**      QG20208AG

19. Release and pull up on the rear seat cushion. Place a piece of masking tape as shown to prevent the hook from re-engaging.



20. Remove the left rear door sill trim.

21. Using isopropyl alcohol on a shop towel, thoroughly clean the fuse case where the fuse label will attach. Then, attach the fuse label (2A STEP ILLUMI) to the fuse case.

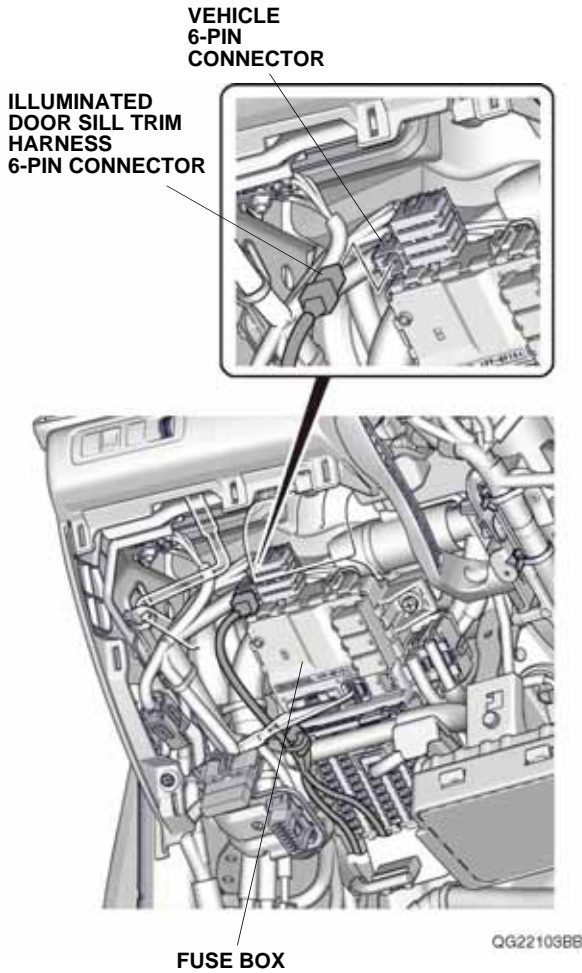


QG22801AB

If the vehicle is equipped with accessory ambient lights or accessory puddle lights, go to step 23; if the vehicle is equipped with another accessory, go to step 24; otherwise, continue with step 22.

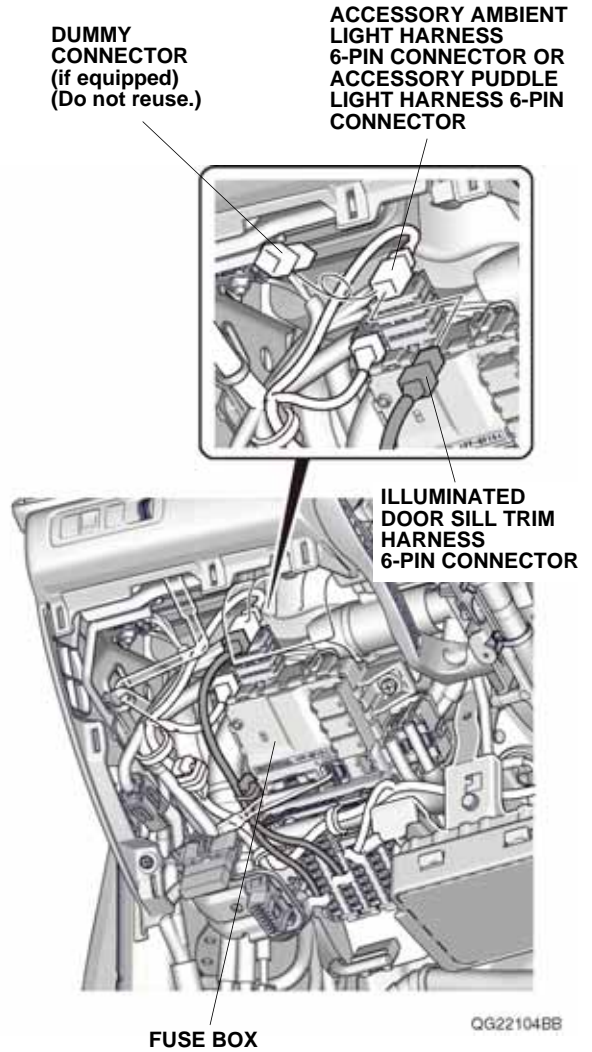
**Without another accessory**

22. Plug the illuminated door sill trim harness 6-pin connector into the vehicle 6-pin connector. Go to step 25.



**With accessory ambient lights or accessory puddle lights**

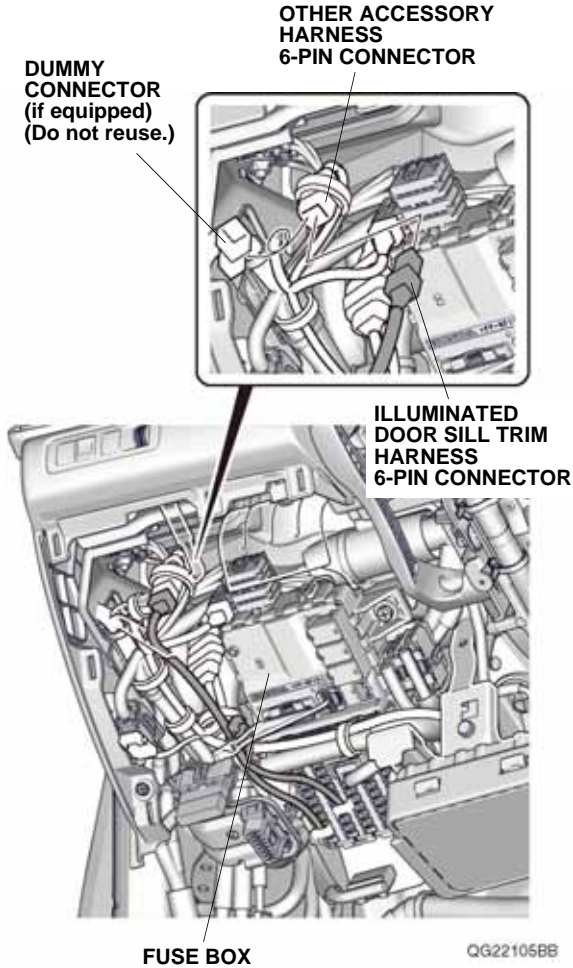
23. Remove the dummy connector from the ambient light or puddle light harness 6-pin connector, and plug the illuminated door sill trim harness 6-pin connector into that connector. Go to step 25.



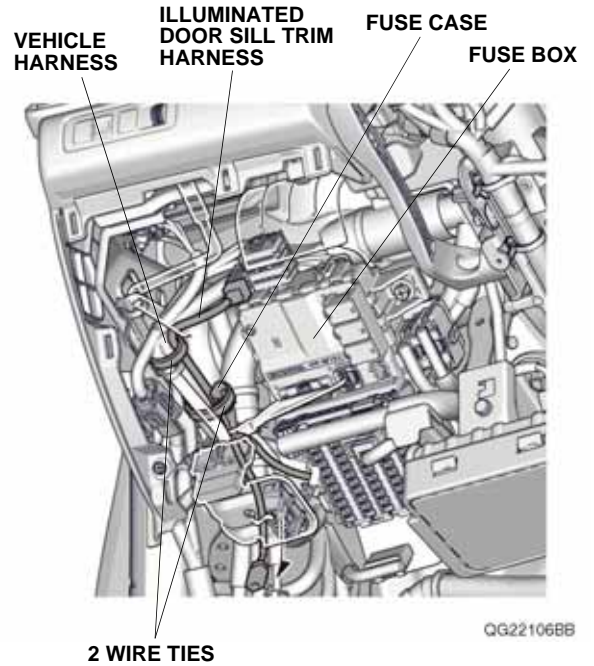


**With another accessory (except accessory ambient lights or accessory puddle lights)**

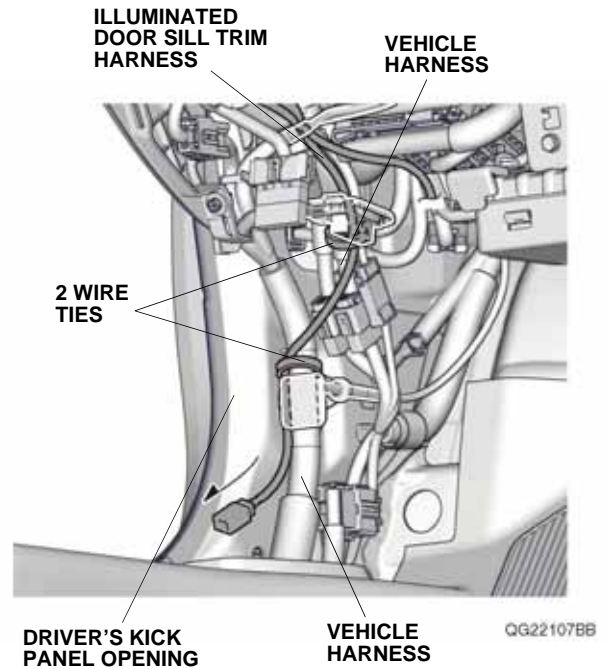
24. Remove the dummy connector from the other accessory harness 6-pin connector, and plug the illuminated door sill trim harness 6-pin connector into that connector.



25. Route the illuminated door sill trim harness along the vehicle harness, and secure it and the fuse case to the vehicle harness with two wire ties.



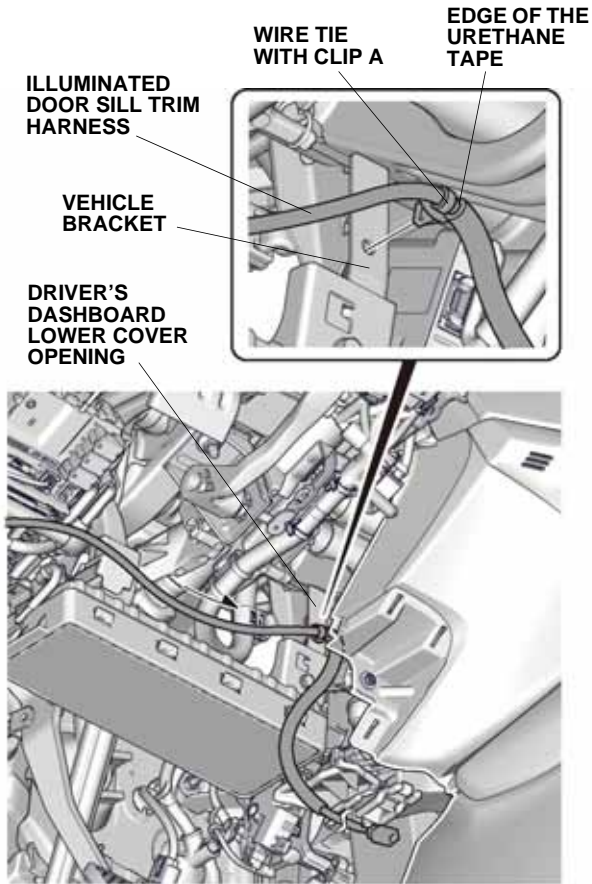
26. Route the illuminated door sill trim harness as shown, and secure it to the vehicle harness with two wire ties.



If the vehicle is equipped with another accessory harness, go to step 28; otherwise, continue with step 27.

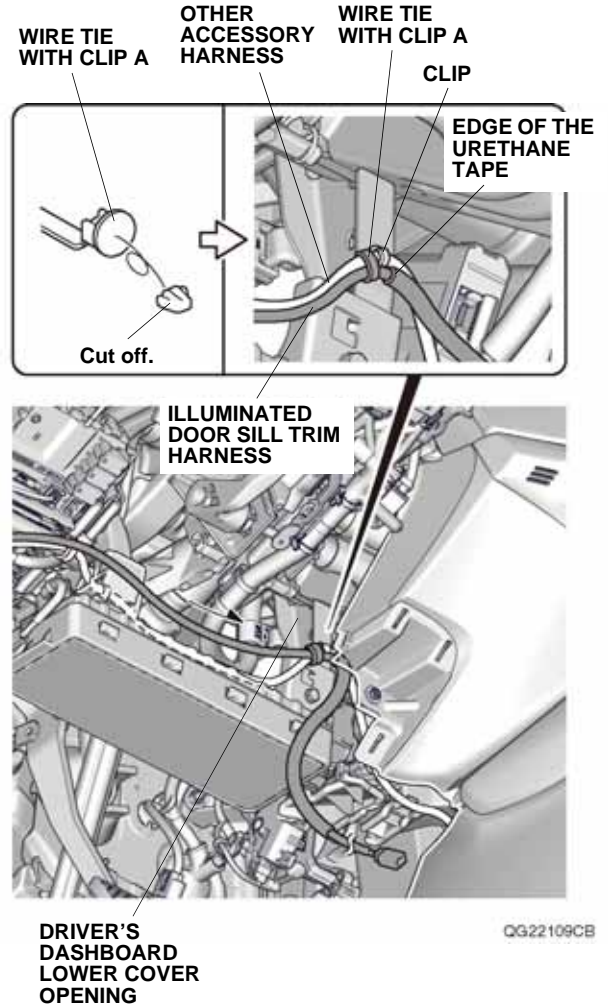
### Without another accessory harness

27. Route the illuminated door sill trim harness as shown. Attach one wire tie with clip A to the illuminated door sill trim harness and secure it to the vehicle bracket as shown. Go to step 29.

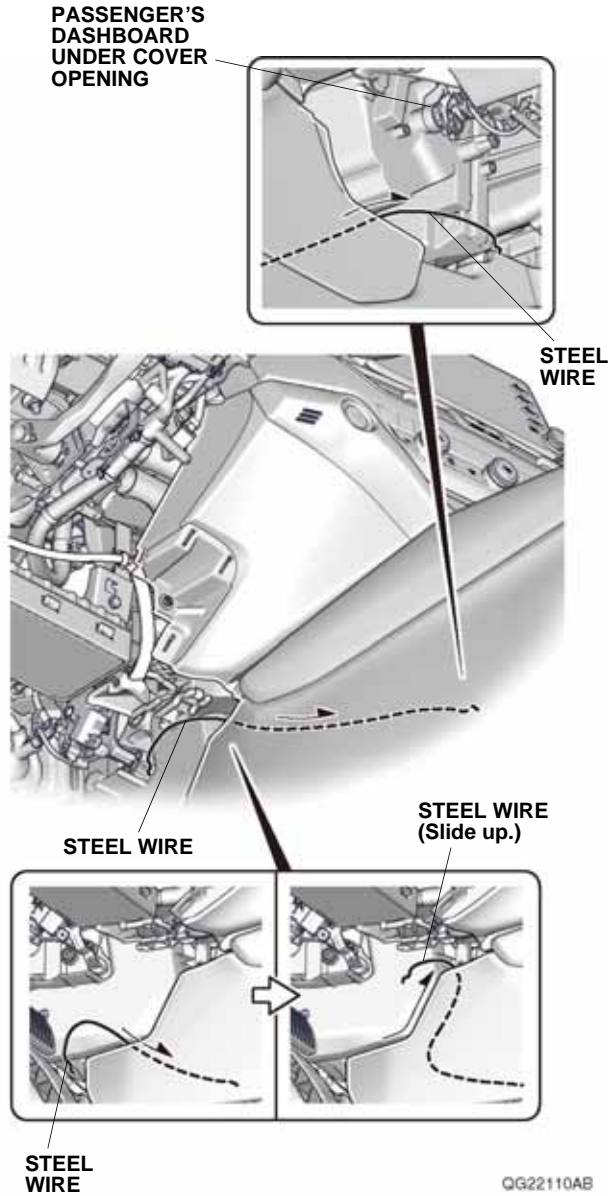


### With another accessory harness

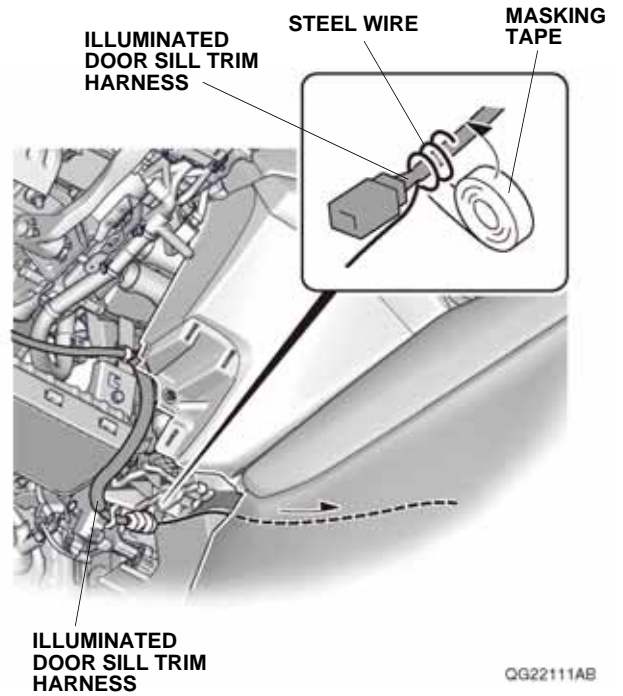
28. Route the illuminated door sill trim harness as shown. Using diagonal cutters, cut the clip portion off of the one wire tie with clip A. Secure the illuminated door sill trim harness to the other accessory harness with one wire tie with clip A.



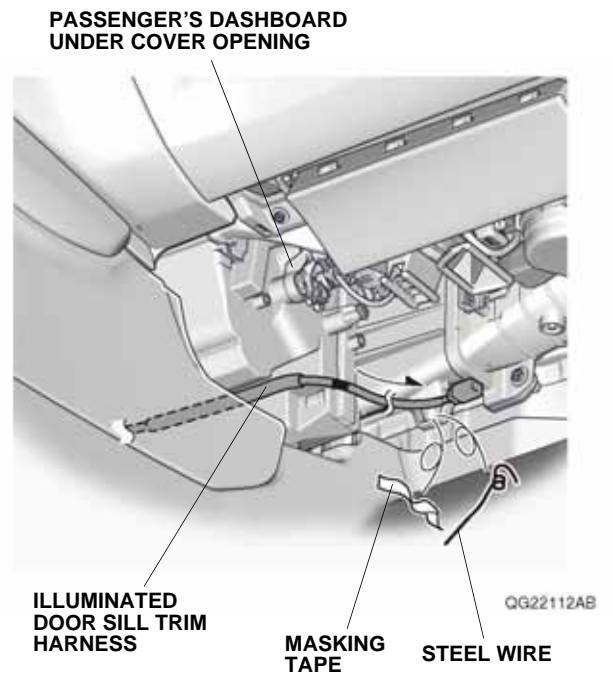
29. Route a piece of steel wire as shown.



30. Attach the steel wire to the illuminated door sill trim harness with masking tape as shown.

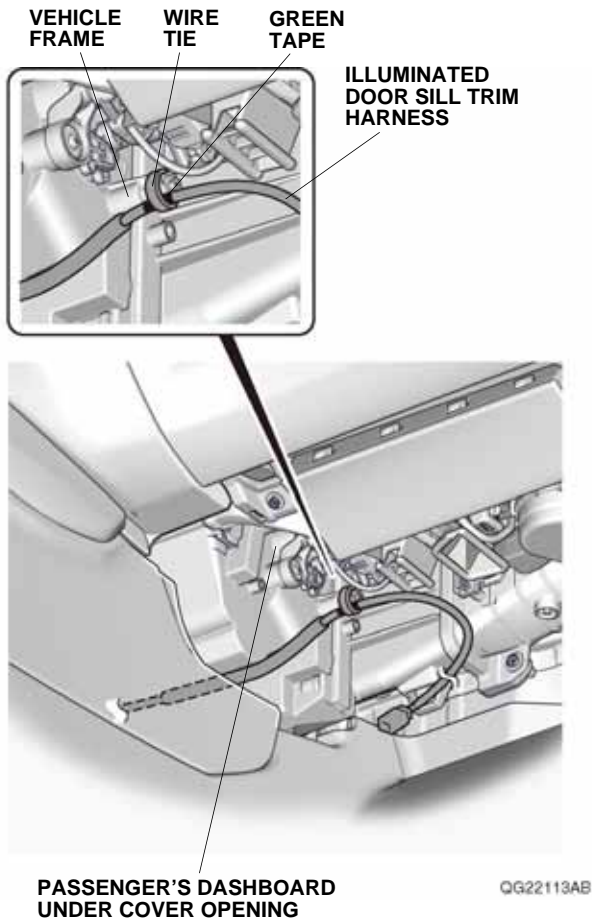


31. Route the illuminated door sill trim harness. Remove the masking tape and steel wire.

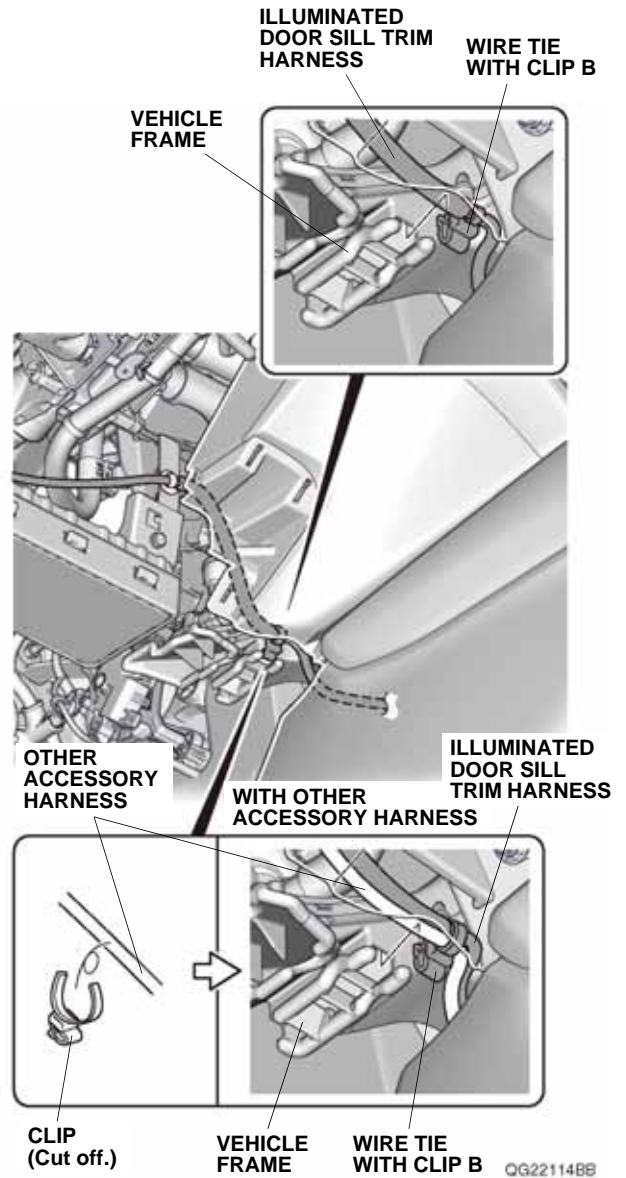




32. Secure the illuminated door sill trim harness to the vehicle frame at the green tape on the illuminated door sill trim harness with one wire tie as shown.

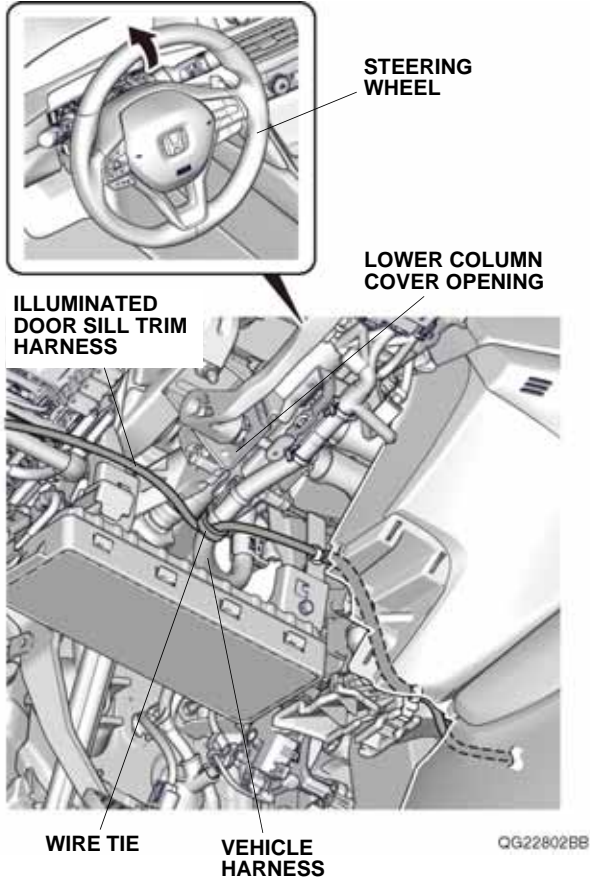


33. Secure the illuminated door sill trim harness to the vehicle frame with one wire tie with clip B as shown. If the vehicle is already equipped with the other accessory harness, cut off the clip from that harness. Secure the illuminated door sill trim harness and other accessory harness to the vehicle frame with one wire tie with clip B.  
NOTE: Be careful not to damage the other accessory harness.





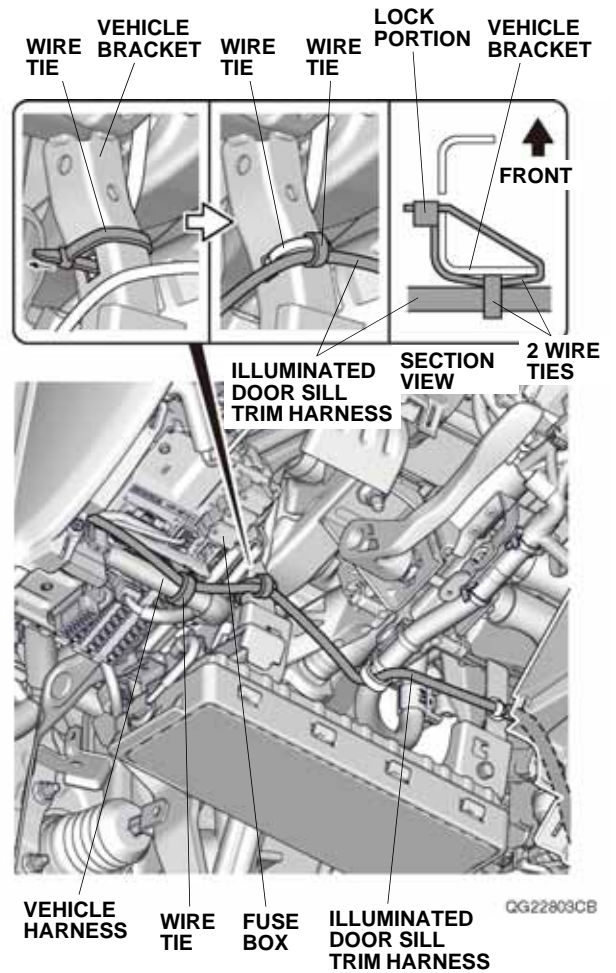
34. Raise the steering wheel. Secure the illuminated door sill trim harness to the vehicle harness with one wire tie.



If the vehicle is equipped with the another accessory harness, go to step 36; otherwise, continue with step 35.

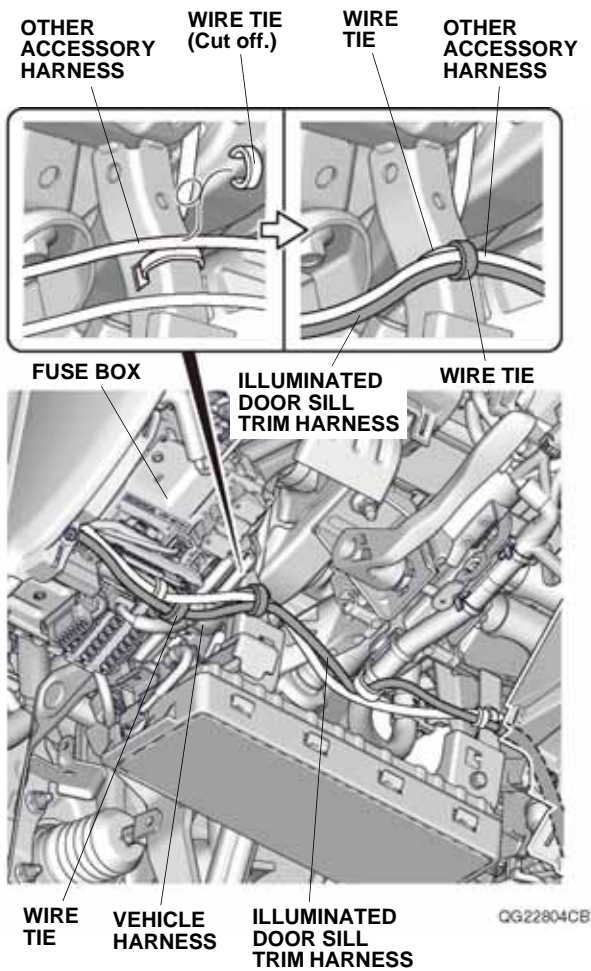
**Without another accessory harness**

35. Secure one wire tie to the vehicle bracket, then secure the illuminated door sill trim harness to that wire tie with another wire tie as shown. Then, secure the illuminated door sill trim harness to the vehicle harness with one wire tie. Go to step 37.

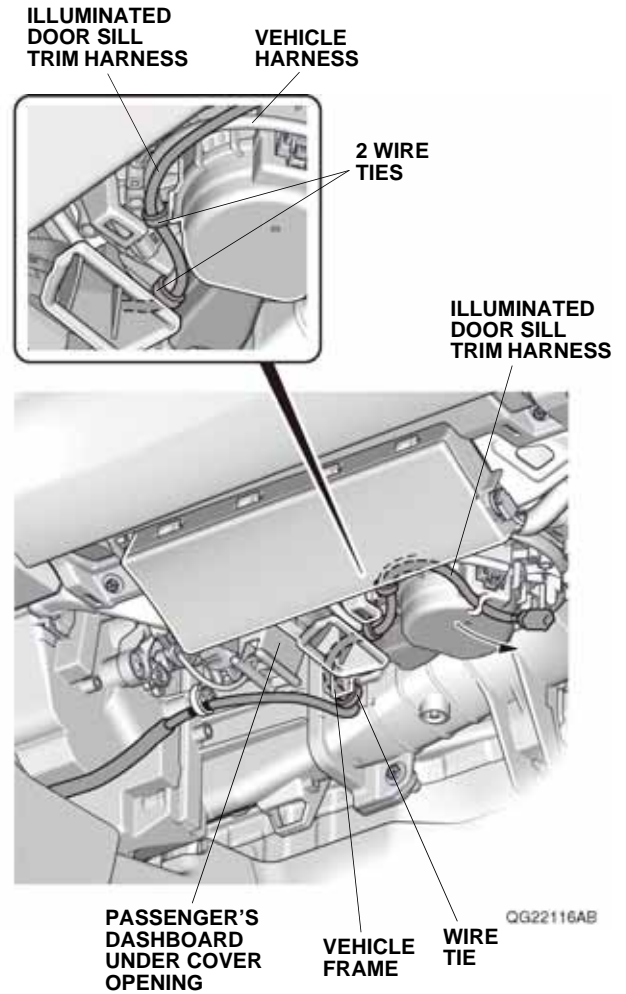


**With another accessory harness**

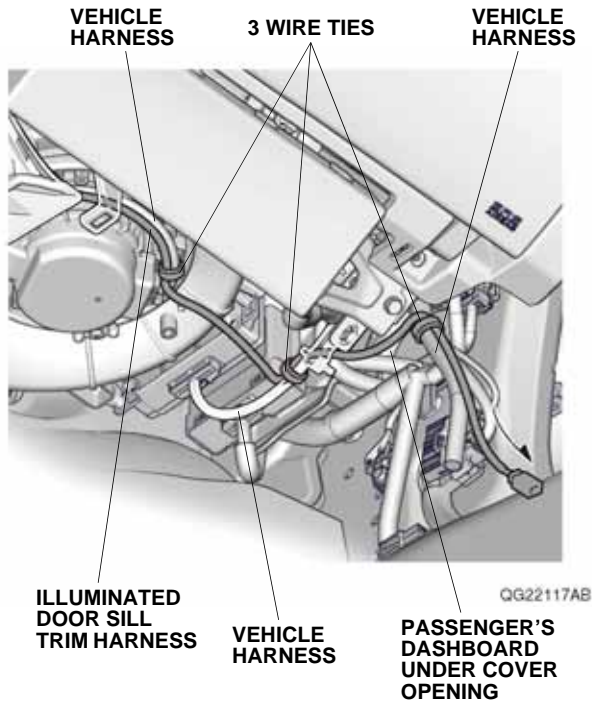
36. Cut off the wire tie from the other accessory harness. Secure the illuminated door sill trim harness and other accessory harness to the wire tie on the vehicle bracket with one wire tie as shown. Then, secure the illuminated door sill trim harness to the vehicle harness with one wire tie.   
 NOTE: Be careful not to damage the other accessory harness.



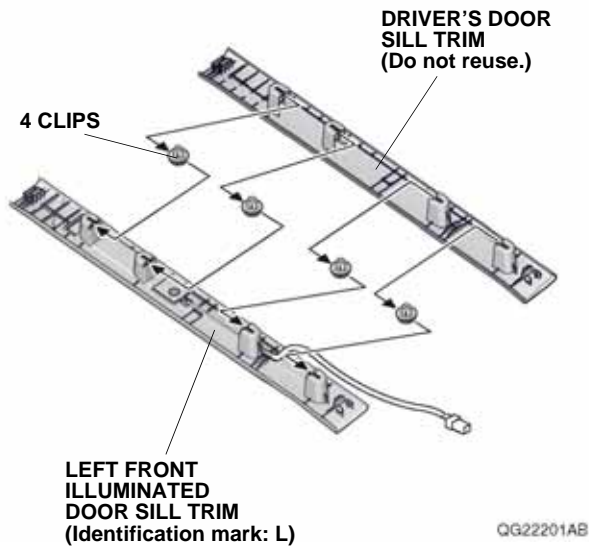
37. Secure the illuminated door sill trim harness to the vehicle frame and vehicle harness with three wire ties.



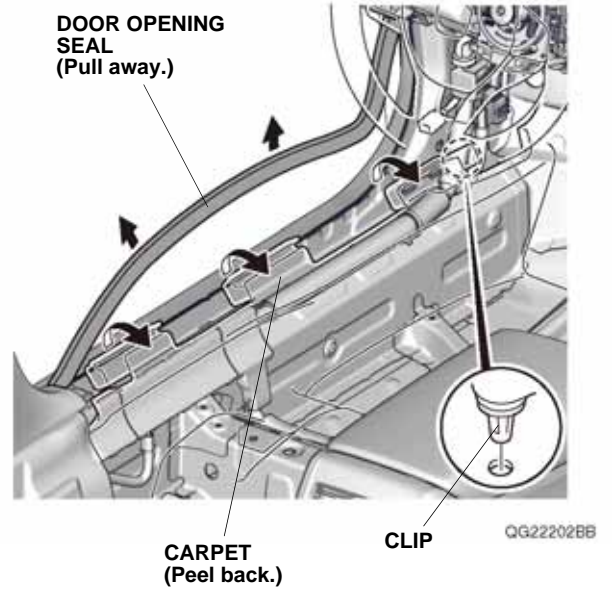
38. Secure the illuminated door sill trim harness to the vehicle harness with three wire ties.



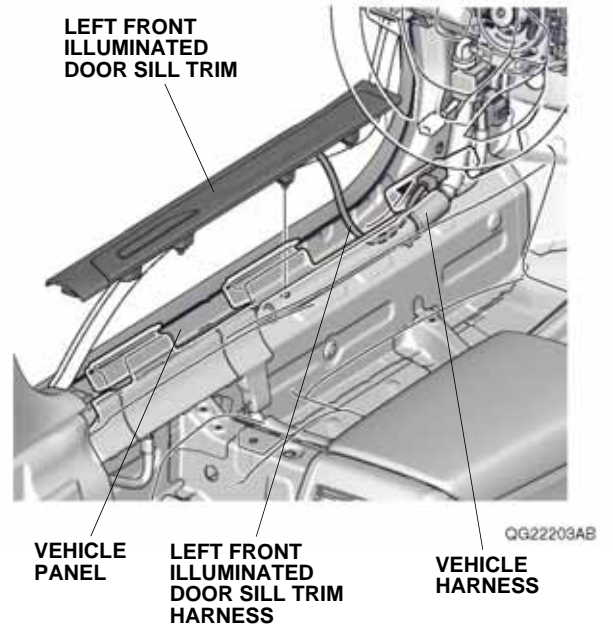
39. Remove the four clips from the driver's door sill trim, then install the clips on the left front illuminated door sill trim.  
NOTE: Make sure to check the identification mark before installation.



40. Pull away the door opening seal, and peel back the carpet as shown.

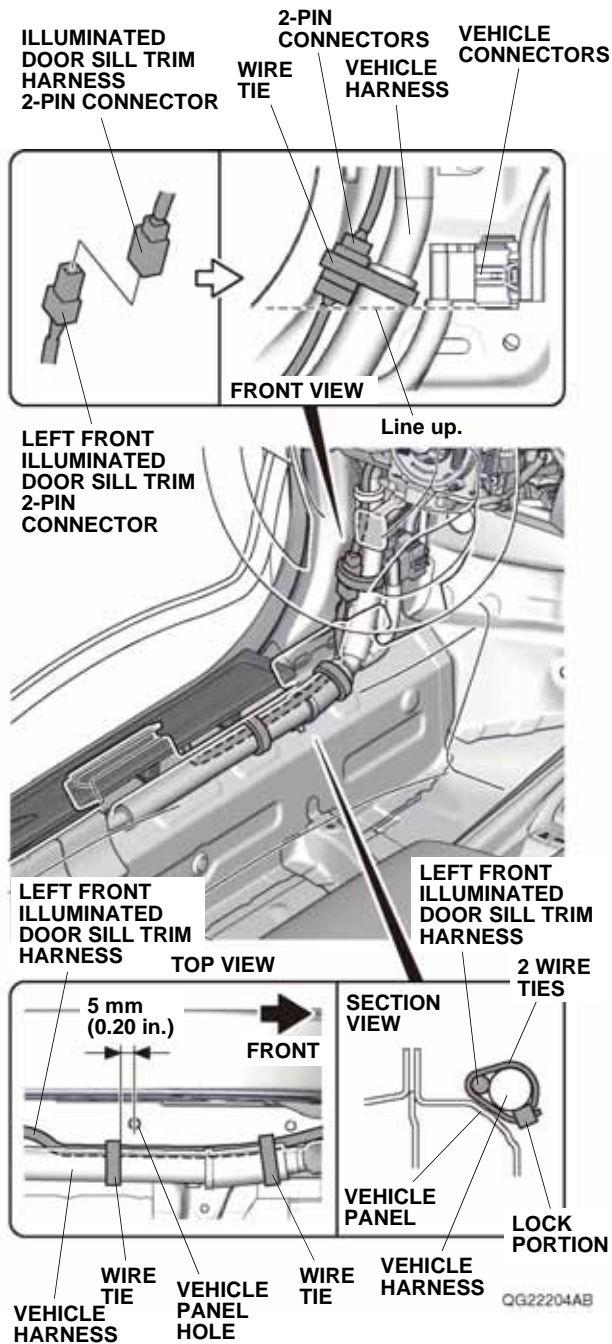


41. Position the left front illuminated door sill trim on the vehicle panel, and route the left front illuminated door sill trim harness along the vehicle harness.



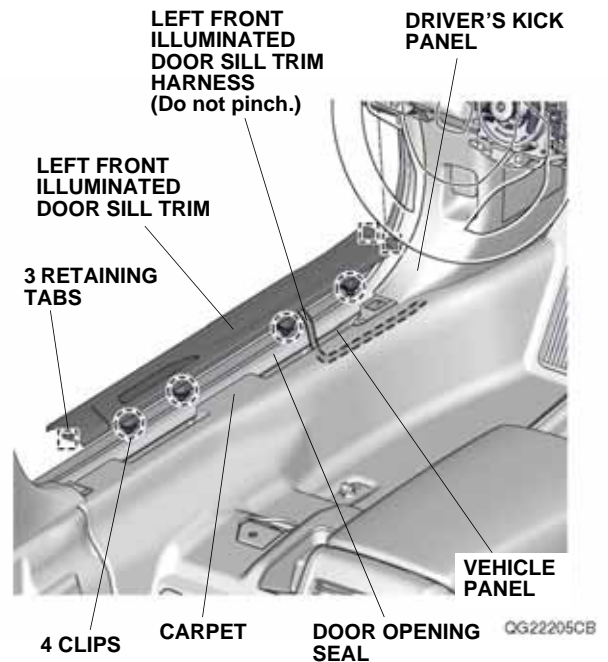


42. Plug the left front illuminated door sill trim 2-pin connector into the illuminated door sill trim harness 2-pin connector, and secure the 2-pin connectors to the vehicle harness with one wire tie as shown.

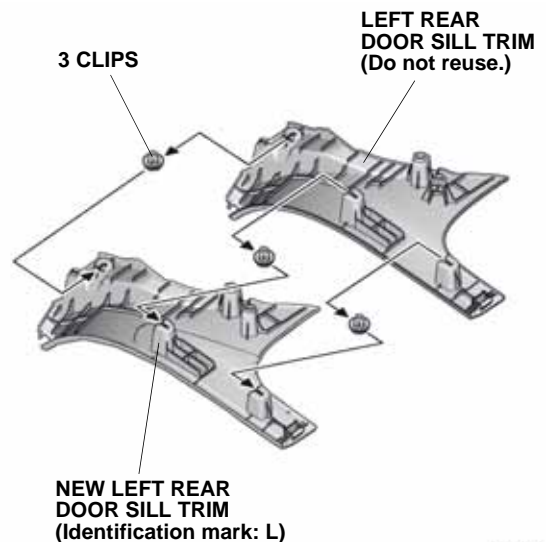


43. Secure the left front illuminated door sill trim harness to the vehicle harness with two wire ties as shown.

44. Install the carpet, driver's kick panel, and door opening seal. Then, install the left front illuminated door sill trim on the vehicle panel.  
NOTE: Do not pinch the left front illuminated door sill trim harness.

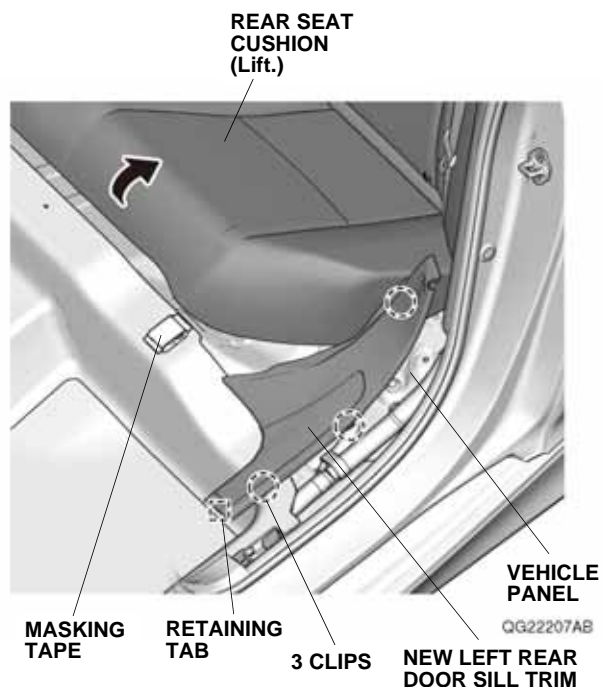


45. Remove the three clips from the left rear door sill trim, and install the clips on the new left rear door sill trim.  
NOTE: Make sure to check the identification mark before installation.





46. Lift the rear seat cushion, and install the new left rear door sill trim on the vehicle panel. Remove the masking tape.



47. Repeat steps 39 through 46 on the right side of the vehicle.
48. Check that all wire harnesses are routed properly and all connectors are plugged in.
49. Install all removed parts.
50. Connect the negative cable to the battery.
51. Press and hold the audio unit power button for 2 seconds to restore the audio and navi (if equipped) system functions.
52. Set the clock on vehicles without navigation.
53. If necessary, restore the systems back to normal operation as described in the service information.

### **Check the Operation of the Illuminated Door Sill Trims**

54. Make sure the lights come on when you open each door.