



# INSTALLATION INSTRUCTIONS

Accessory  
**HEATED STEERING WHEEL**

Application  
**2018 ACCORD**

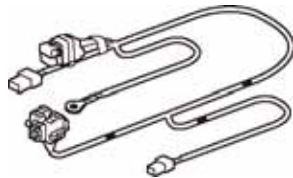
Publications No.  
**VERSION 1**

Issue Date  
**OCT 2017**

## PARTS LIST

**Heated Steering Wheel Kit**  
**P/N 08U97-TVA-100**  
**P/N 08U97-TVA-100A**

\*: The part differs depending on the kit.  
Heater harness



\* Cable reel cord  
(P/N 08U97-TVA-100)



Steering wheel



\* Cable reel cord  
(P/N 08U97-TVA-100A)



Control unit

\* Body cover  
(P/N 08U97-TVA-100)



HSW switch

\* Body cover  
(P/N 08U97-TVA-100A)



Steering wheel bolt

Lower trim



3 Self-tapping screws, 3 x 10 mm

Cable reel



2 Self-tapping screws, 4 x 14 mm



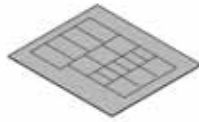
Relay



20A Fuse  
(May not be used)



Fuse label



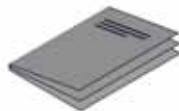
10 Wire ties  
(Some may not be used)



Information manual



Accessory User's Information Manual



### Service Parts

Upper trim



### TOOLS AND SUPPLIES REQUIRED

Phillips screwdriver

Punch (diameter of 5.5 mm)

10 mm Open end wrench

10 mm Hex bit

10 mm Socket

Ratchet

Torque wrench

Steering wheel puller

Isopropyl alcohol

Shop towel

Masking tape

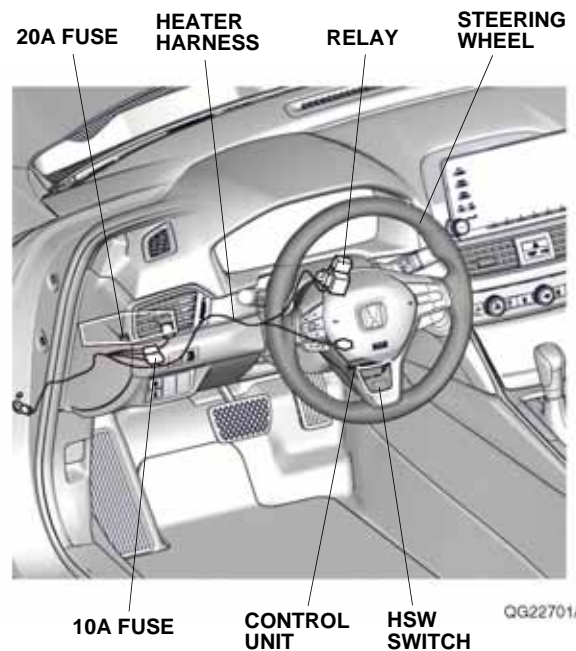
Diagonal cutters

HDS

*The following tools are available through the Honda Tool and Equipment Program. On the iN, click on Service > Service Bay > Tool and Equipment Program, then enter the number under "Search." Or, call 888-424-6857.*

- Trim Tool Set (T/N SOJATP2014)
- Plastic Trim Tool (T/N SILTRIMTL10)

### Illustration of the Heated Steering Wheel in the Vehicle

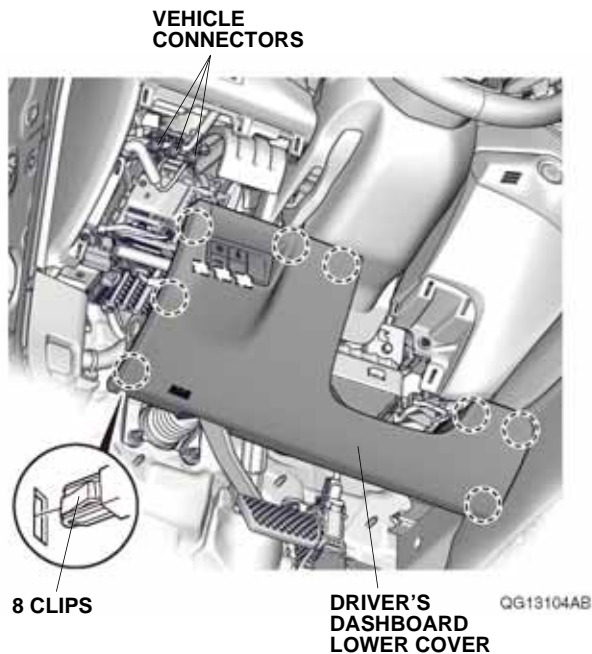


## INSTALLATION

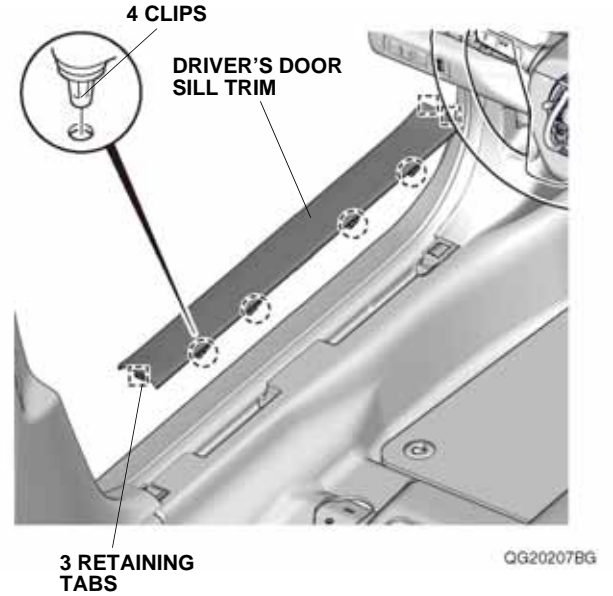
**Customer Information:** The information in this installation instruction is intended for use only by skilled technicians who have the proper tools, equipment, and training to correctly and safely add equipment to your vehicle. These procedures should not be attempted by “do-it-yourselfers.”

### NOTE:

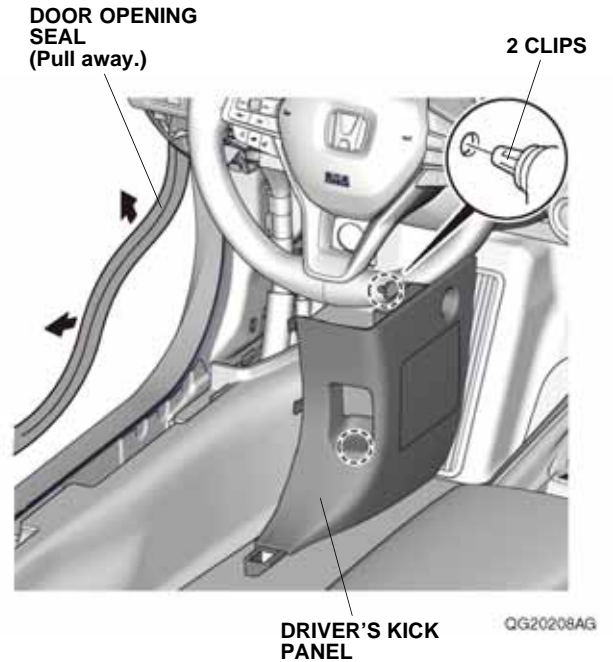
- Observe all safety notes and precautions in the service information in addition to those in this installation instruction.
  - Be careful not to damage the vehicle.
  - After installing the steering wheel, you must line up the steering wheel spoke angle to the straight-ahead position by adjusting the front toe.
1. Turn the steering wheel so the front wheels are in the straight-ahead position.
  2. Disconnect the negative cable from the battery, and wait at least 3 minutes before you start to install the steering wheel.
  3. Remove the driver's dashboard lower cover and unplug the vehicle connectors.



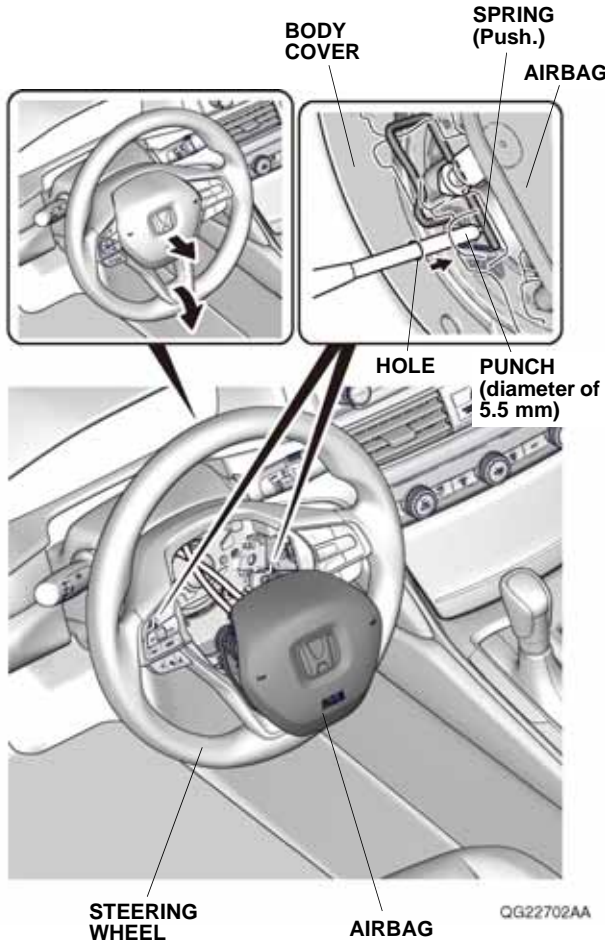
4. Remove the driver's door sill trim.



5. Pull away the door opening seal and remove the driver's kick panel.



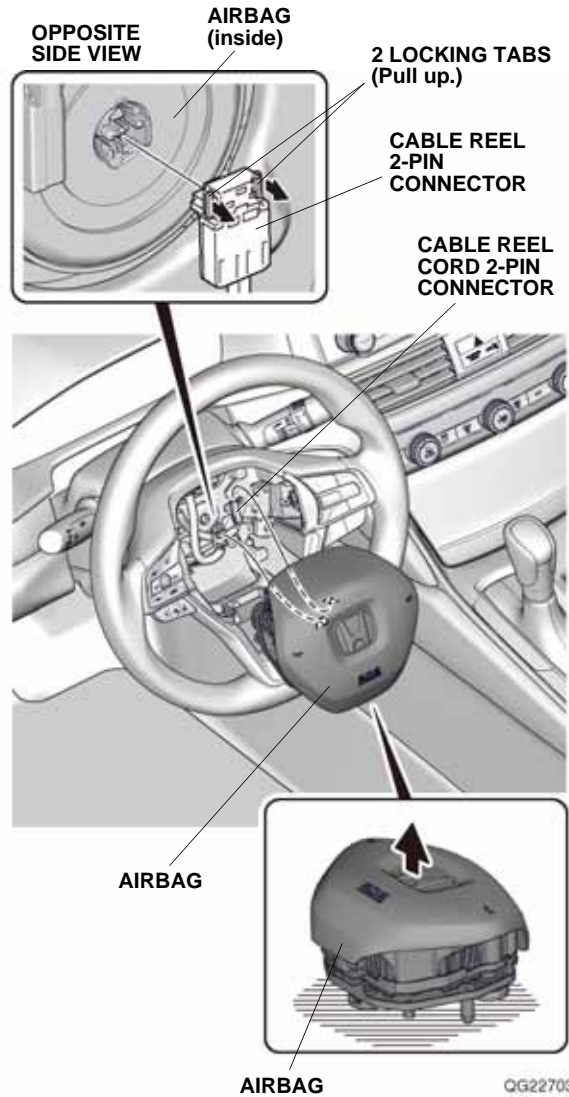
6. Lower and pull out the steering wheel as shown.



7. Insert a punch (diameter of 5.5 mm) through the left hole of the body cover, and push the spring to release the airbag. Repeat for the other side.

8. Unplug the cable reel 2-pin connector and cable reel cord 2-pin connector by squeezing and pulling up on the locking tabs.

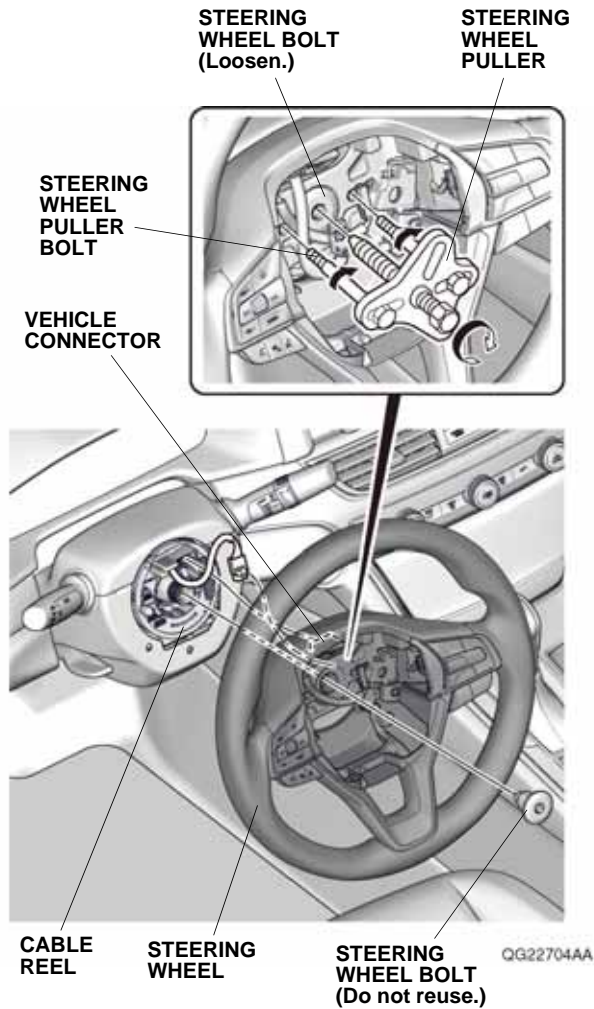
NOTE: Be careful not to damage the connectors.



9. Remove the airbag. Do not drop the removed airbag or hit it on an object. Place the removed airbag in a safe place with the padded surface (top) facing up.

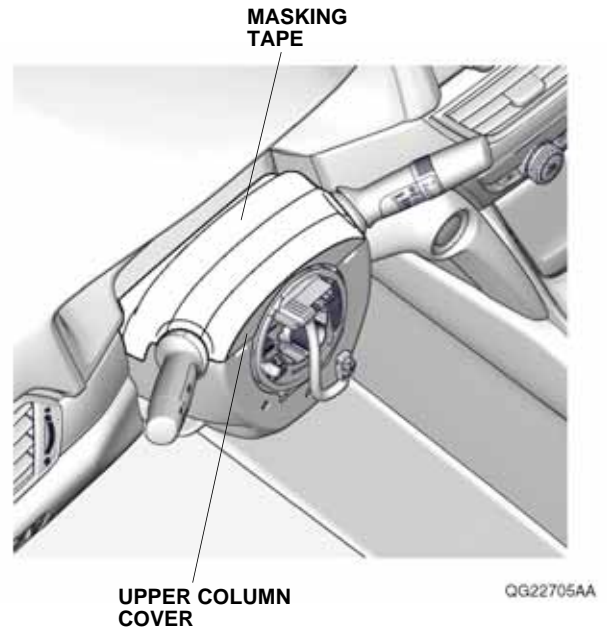


- With the front wheels in the straight-ahead position, unplug the vehicle connector from the cable reel and loosen the steering wheel bolt.

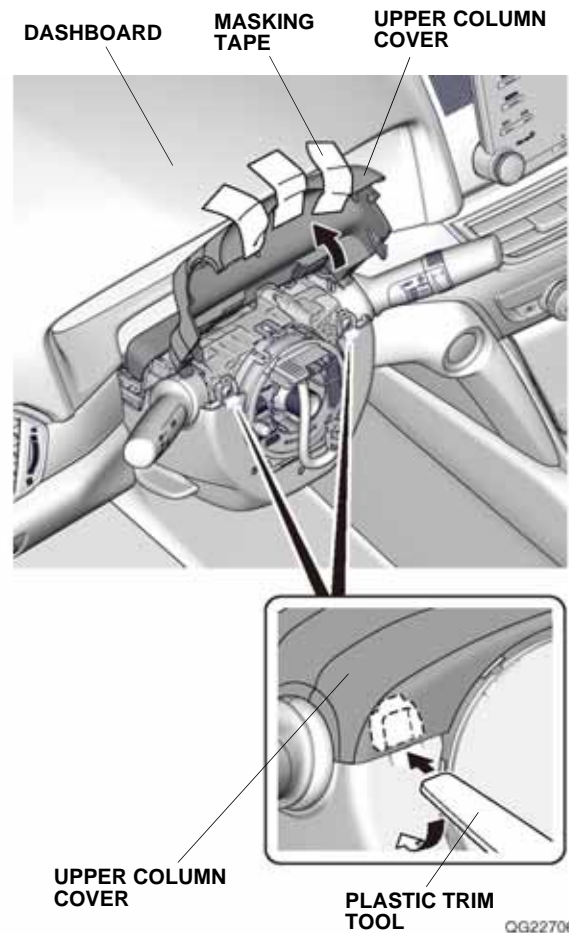


- Using a steering wheel puller, release the steering wheel. Do not thread the steering wheel puller bolts in more than 5 mm (0.20 in.). When removing the steering wheel, take care not to move the front wheels.
- Remove the steering wheel bolt, then remove the steering wheel.

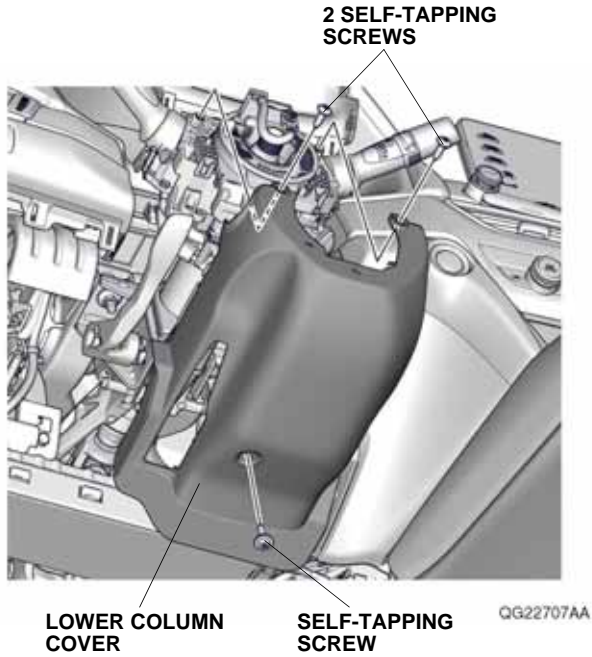
- Apply masking tape to the upper column cover.



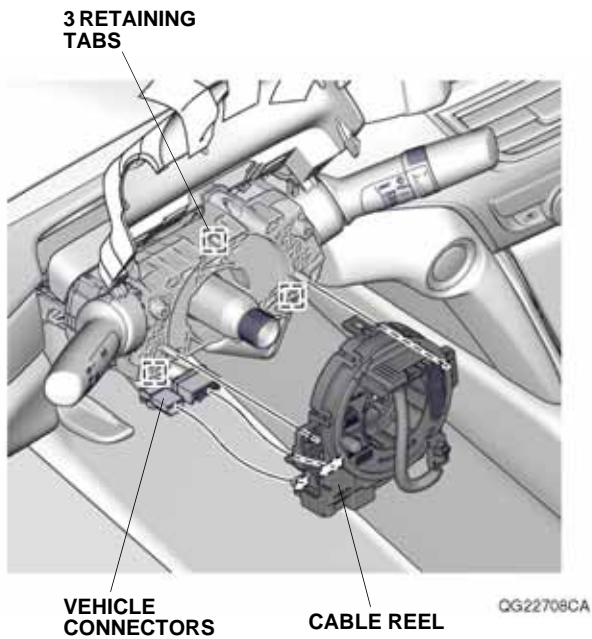
- Using a plastic trim tool, release the upper column cover. Secure the upper column cover to the dashboard with masking tape.



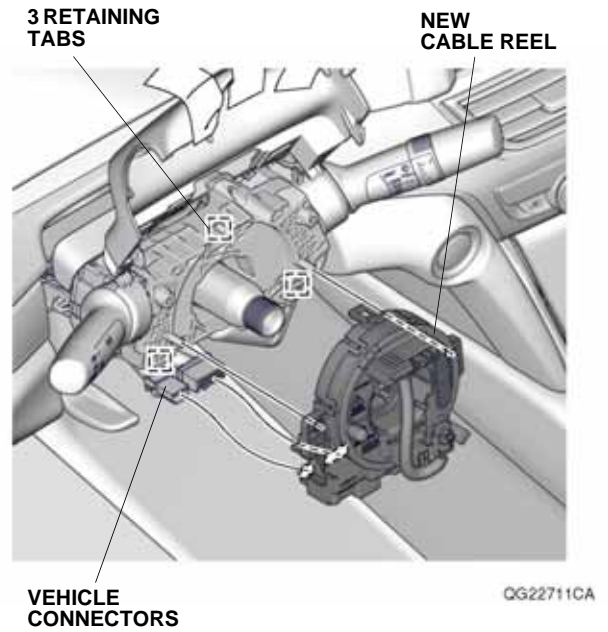
15. Remove the lower column cover.



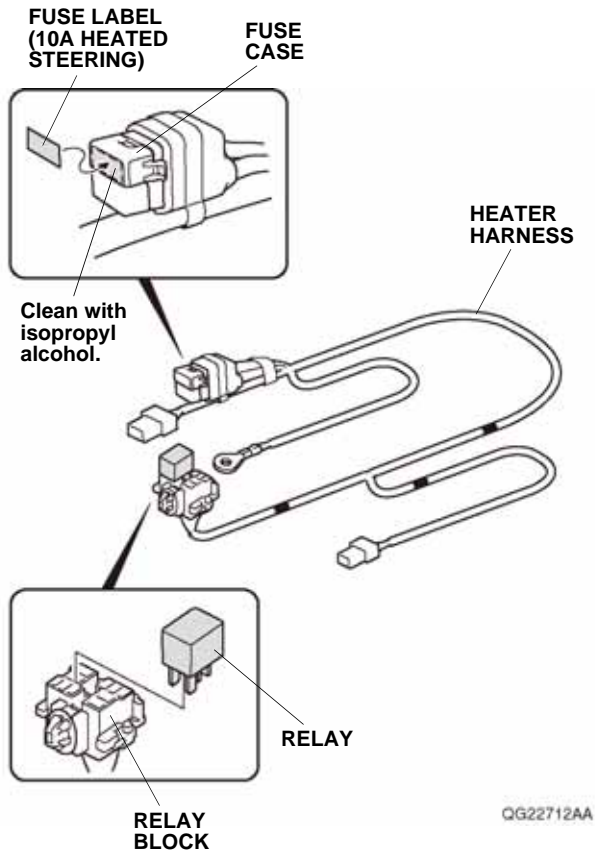
16. Remove the cable reel, and unplug the vehicle connectors.



17. Install the new cable reel, and plug the vehicle connectors into the new cable reel.

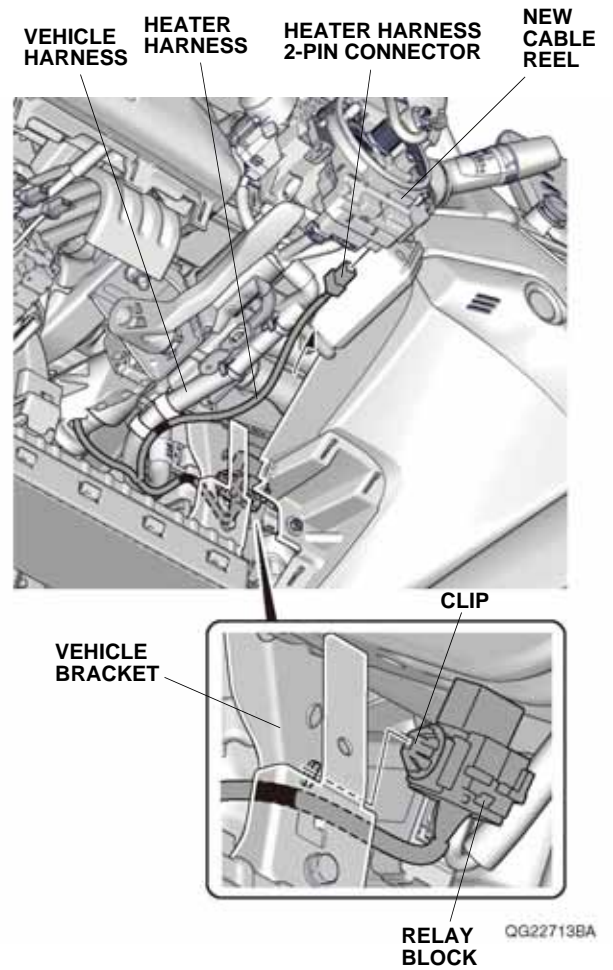


- Using isopropyl alcohol on a shop towel, thoroughly clean the fuse case where the fuse label will attach. Attach the fuse label (10A HEATED STEERING) to the fuse case on the heater harness.



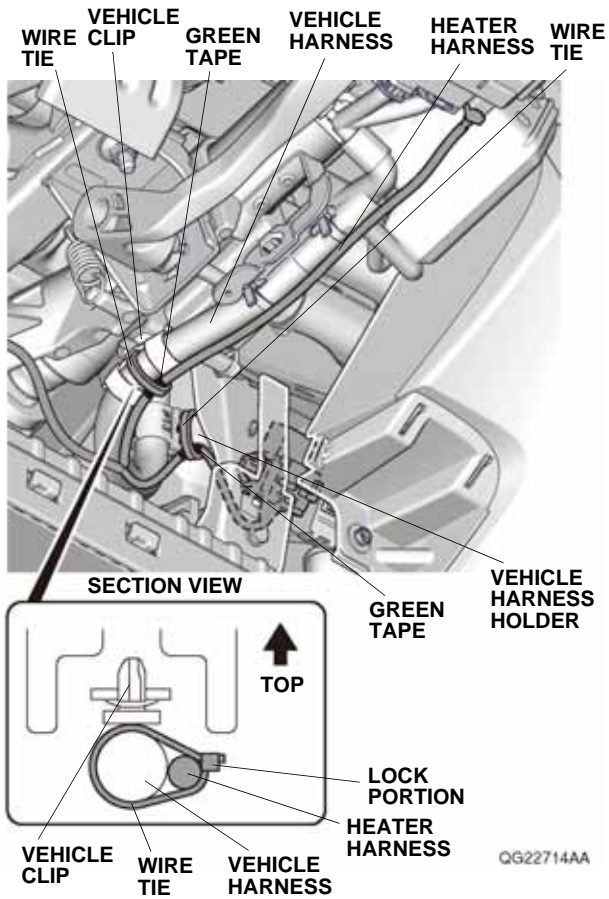
- Plug the relay into the relay block on the heater harness.

- Attach the relay block on the heater harness to the vehicle bracket.

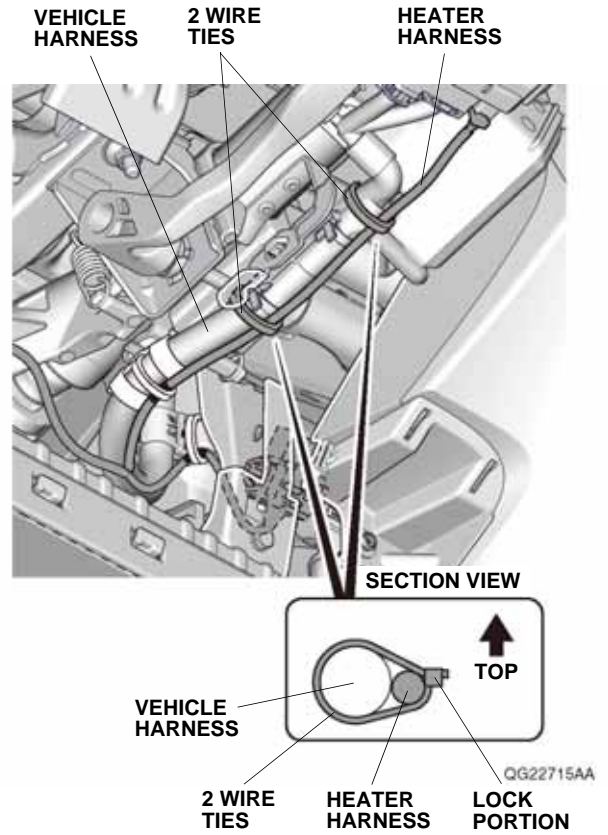


- Route the heater harness along the vehicle harness, and plug the heater harness 2-pin connector into the new cable reel.

22. Secure the heater harness to the vehicle harness and vehicle harness holder at the green tape on the heater harness with two wire ties.



23. Secure the heater harness to the vehicle harness with two wire ties as shown.

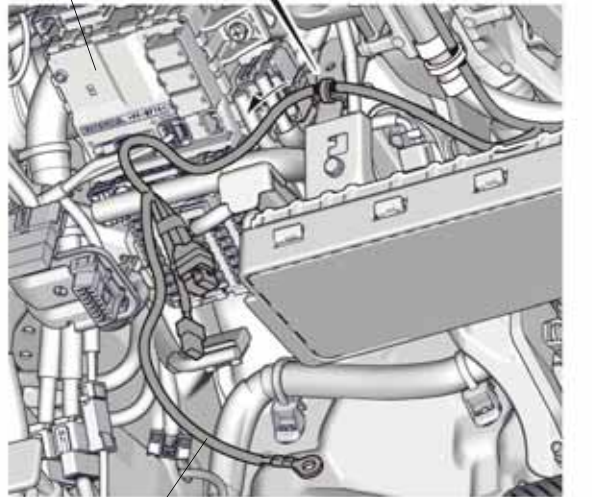
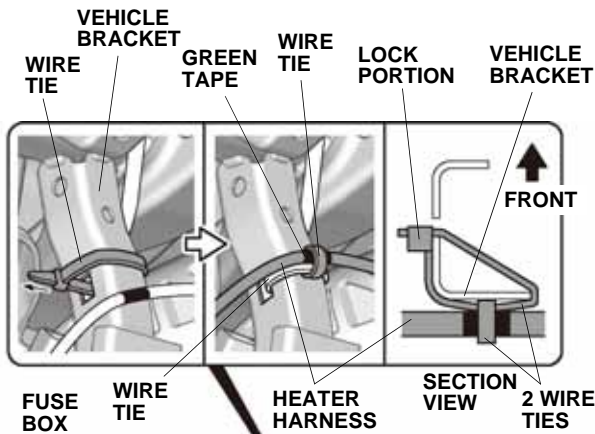




If the vehicle is equipped with another accessory harness, go to step 25; otherwise, continue with step 24.

**Without another accessory harness**

24. Route the heater harness as shown. Secure one wire tie to the vehicle bracket, then secure the heater harness to the wire tie at the green tape on the heater harness with the other wire tie as shown. Go to step 26.

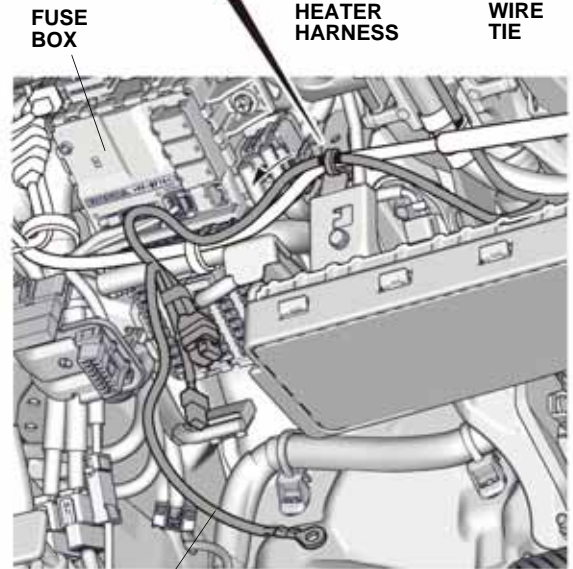
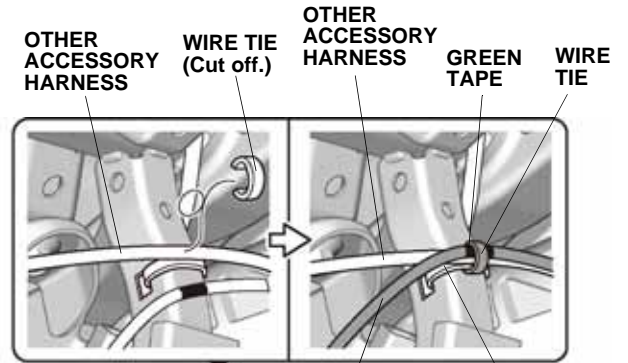


HEATER HARNESS

QG22716CA

**With another accessory harness**

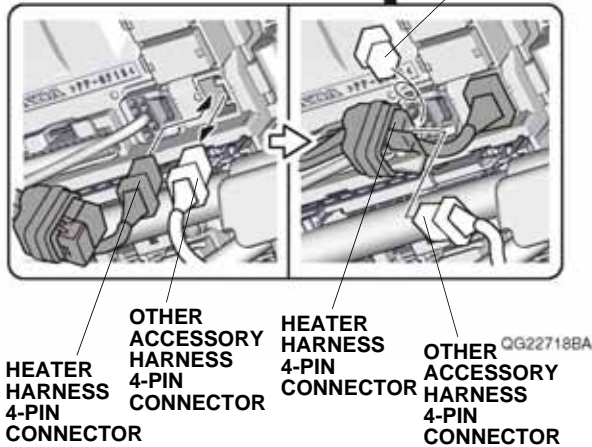
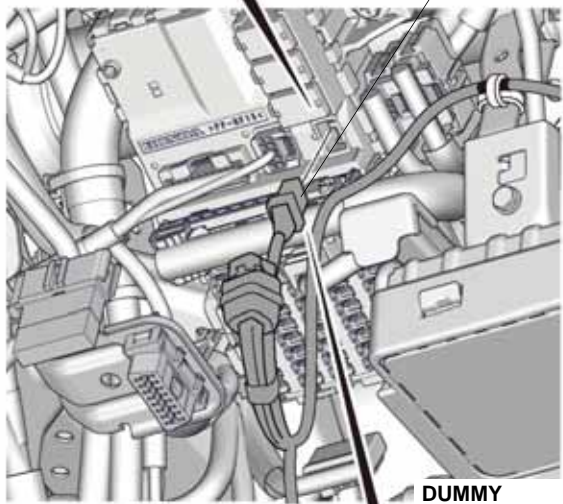
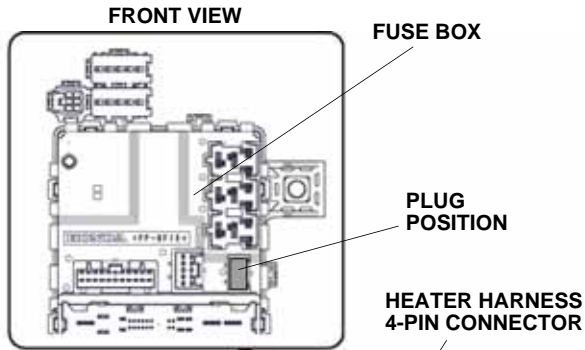
25. Route the heater harness as shown. Cut off the wire tie from the other accessory harness. Secure the heater harness and the other accessory harness to the wire tie on the vehicle bracket at the green tape on the heater harness with one wire tie as shown. NOTE: Be careful not to damage the other accessory harness.



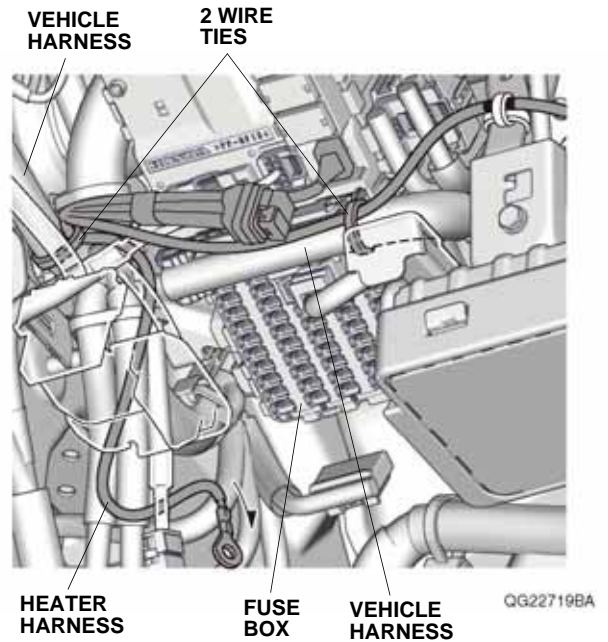
HEATER HARNESS

QG22717BA

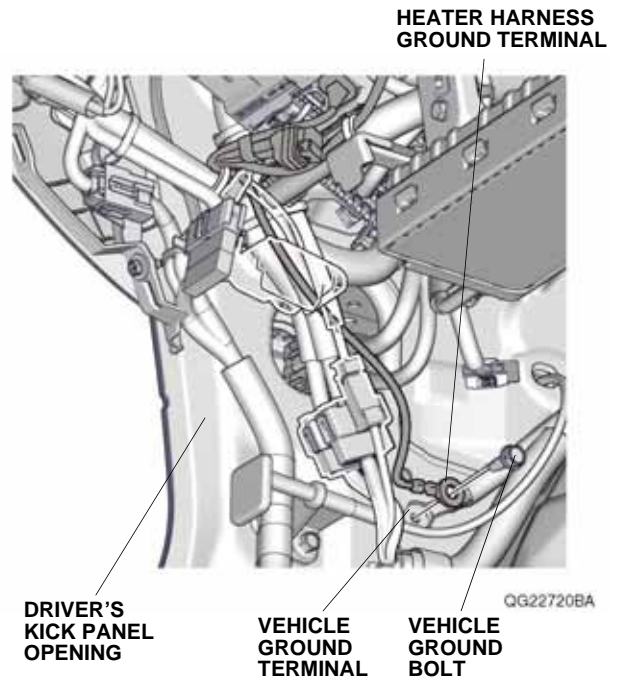
26. Plug the heater harness 4-pin connector into the fuse box. If the vehicle is equipped with another accessory harness 4-pin connector, unplug it and plug the heater harness 4-pin connector into the fuse box. Remove the dummy connector from the heater harness 4-pin connector, and plug the other accessory harness 4-pin connector into it.



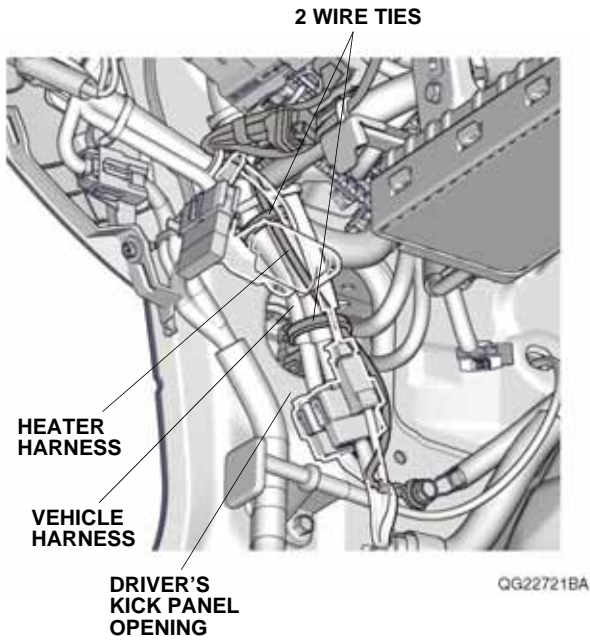
27. Route the heater harness as shown, and secure it to the vehicle harness with two wire ties.



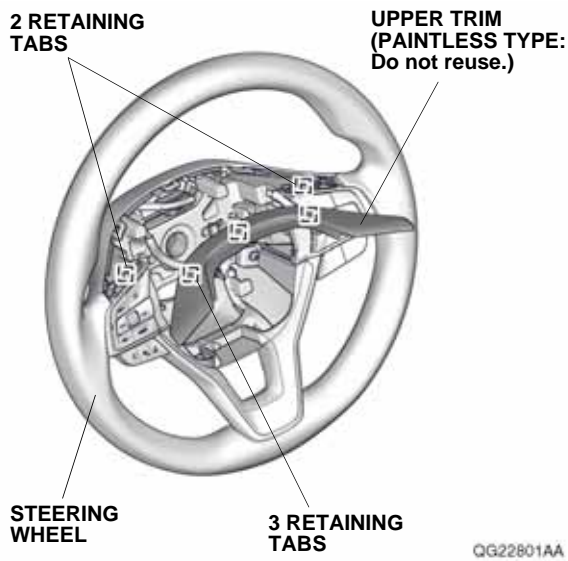
28. Remove the vehicle ground bolt, and secure the heater harness ground terminal to the vehicle ground terminal with the vehicle ground bolt just removed. Do not put the ground terminal caulking on top of one another.



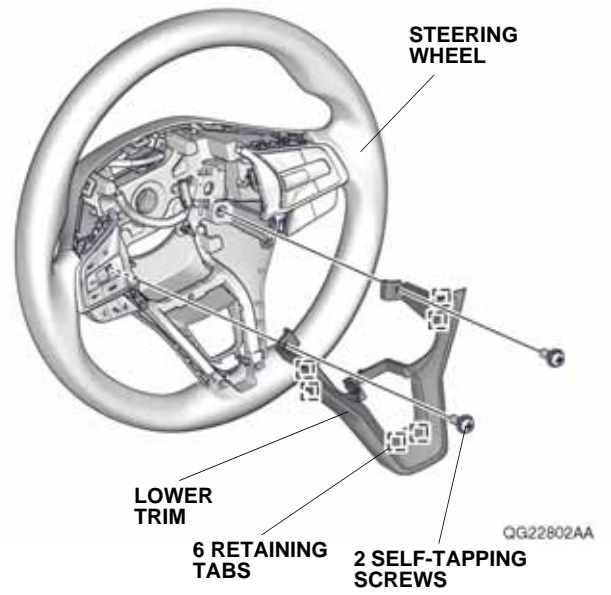
29. Secure the heater harness to the vehicle harness with two wire ties.



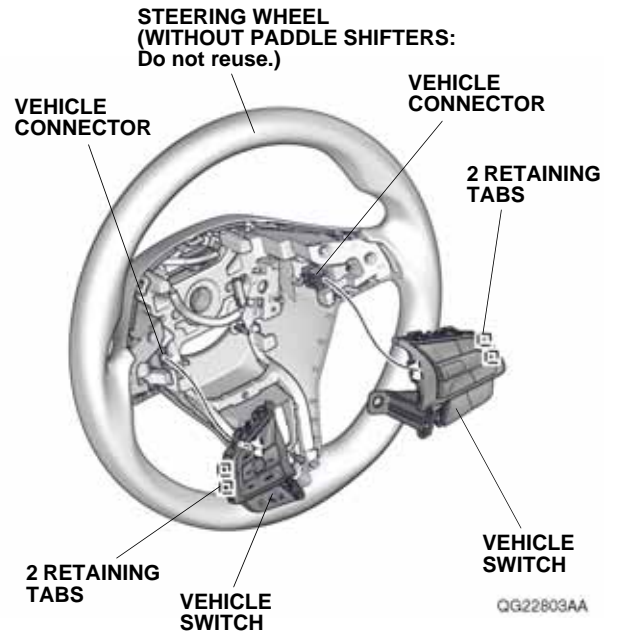
30. Remove the upper trim.



31. Remove the lower trim.



32. Remove the two vehicle switches, and unplug the vehicle connectors.

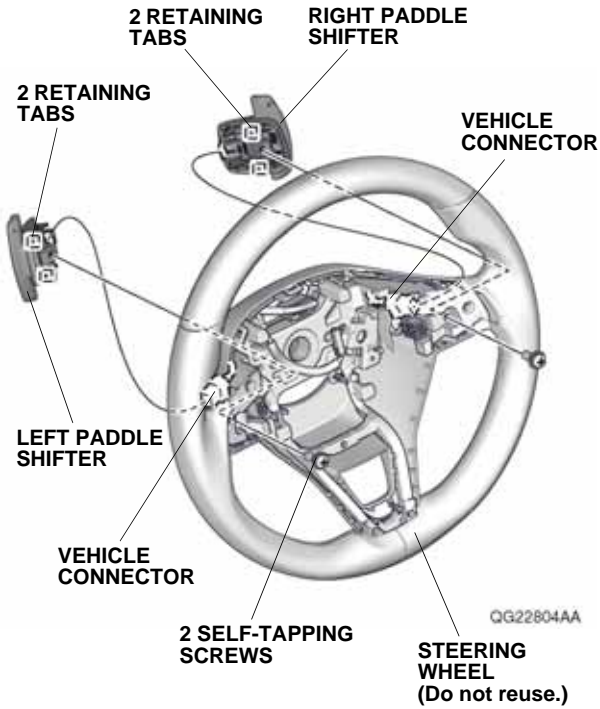




If the vehicle is equipped with paddle shifters, continue with step 33; otherwise, go to step 34.

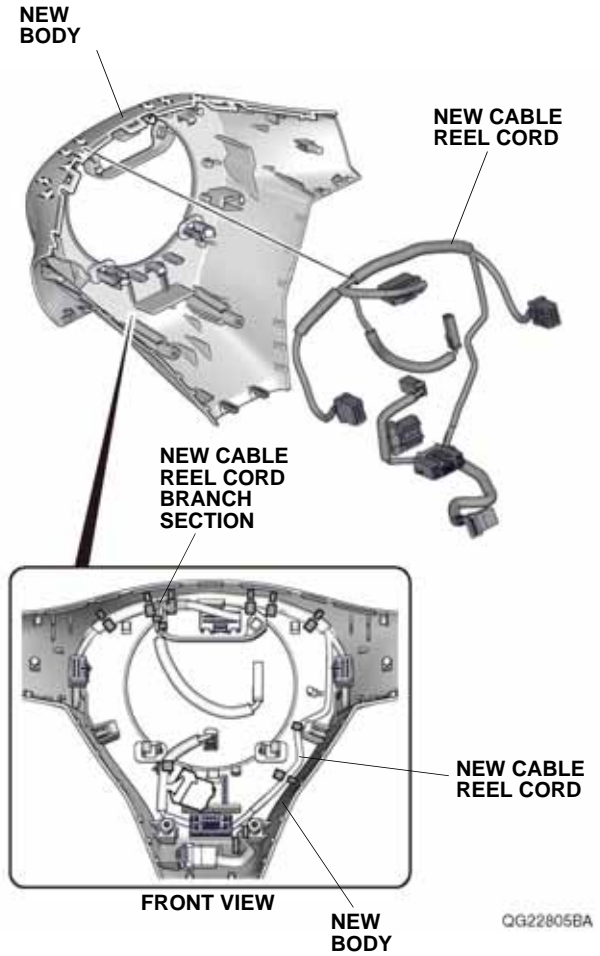
### With paddle shifters

33. Remove the right and left paddle shifters, and unplug the vehicle connectors.



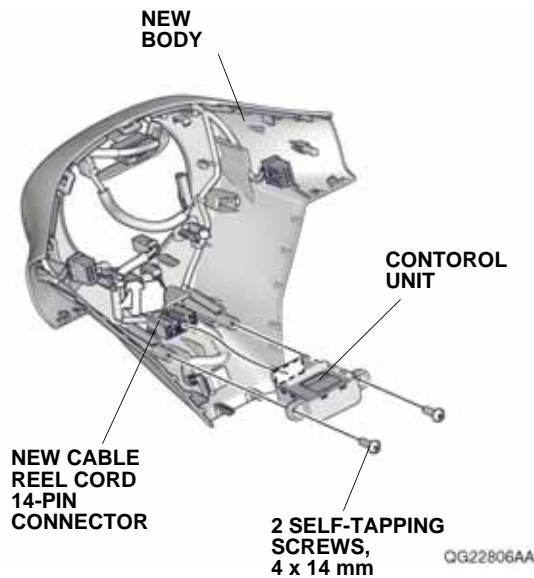
34. Install the new cable reel cord to the new body cover. NOTE:

- If the body cover and cable reel cord look different, follow the same procedure.
- Make sure to check that the cable reel cord is secured properly.

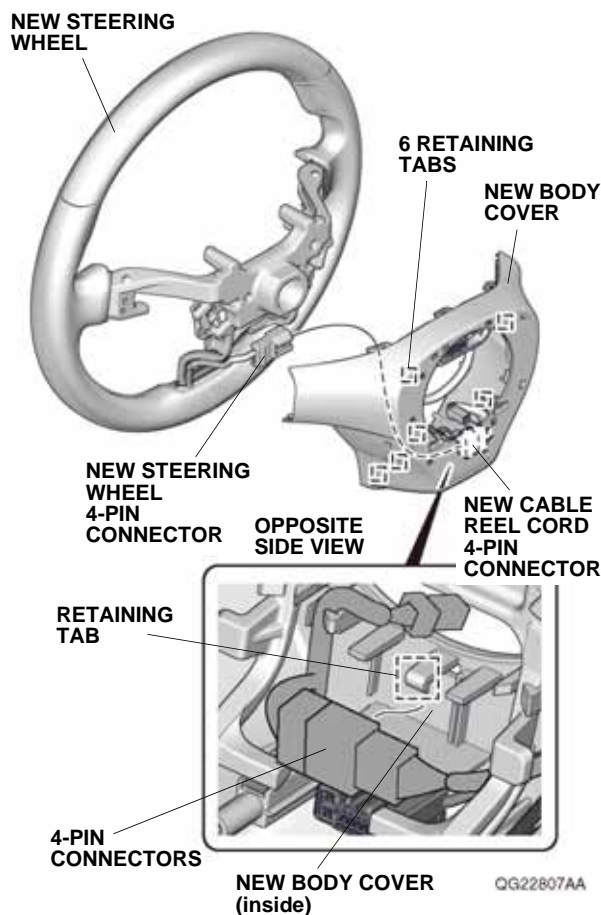




35. Plug the new cable reel cord 14-pin connector into the control unit, and install the control unit to the new body cover with two 4 x 14 mm self-tapping screws.



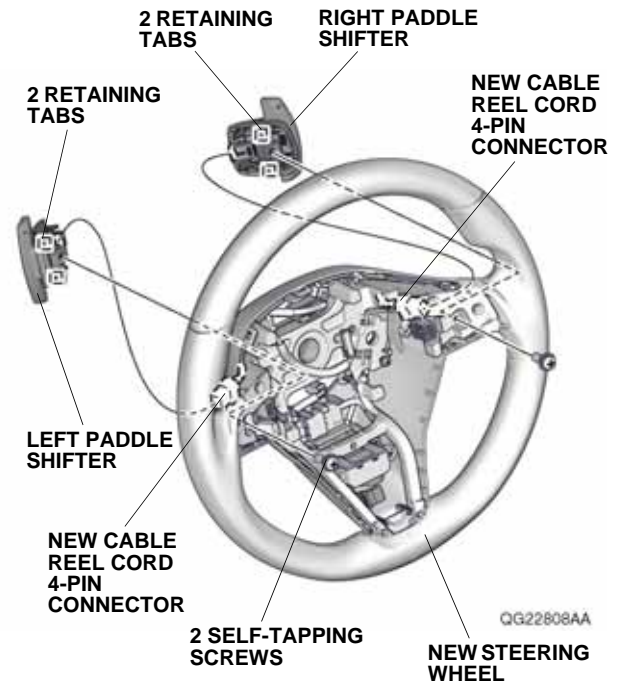
36. Plug the new cable reel cord 4-pin connector into the new steering wheel 4-pin connector, and install the new body cover to the new steering wheel.



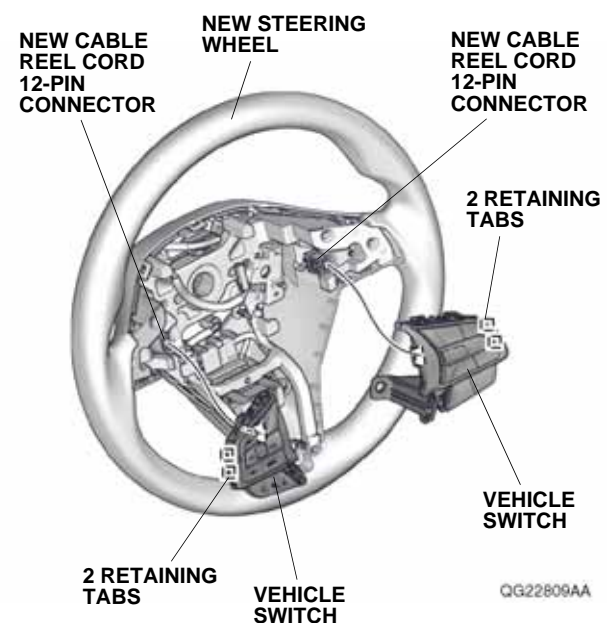
If the vehicle is equipped with paddle shifters, continue with step 37; otherwise, go to step 38.

### With paddle shifters

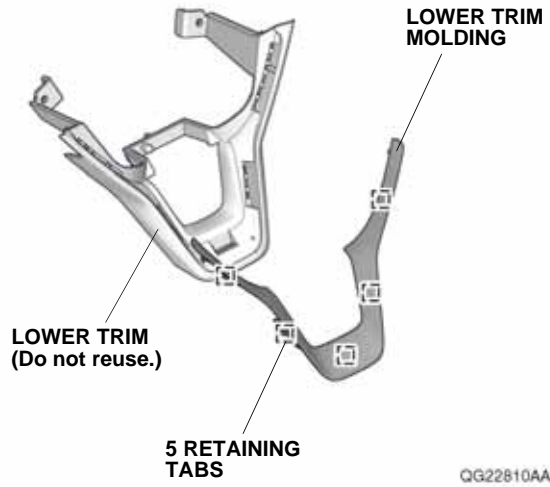
37. Plug the new cable reel cord 4-pin connectors into the right and left paddle shifters, and install them with the two self-tapping screws removed in step 33.



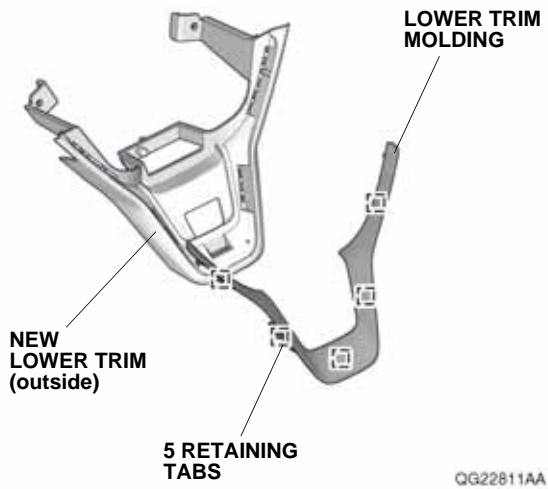
38. Plug the new cable reel cord 12-pin connectors into the vehicle switches, and install the vehicle switches to the new steering wheel.



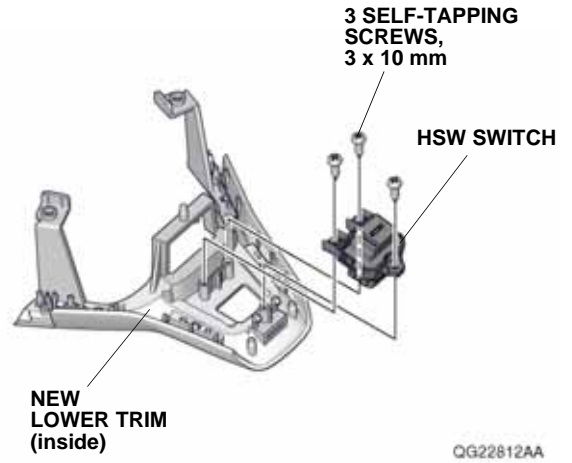
39. Remove the lower trim molding.



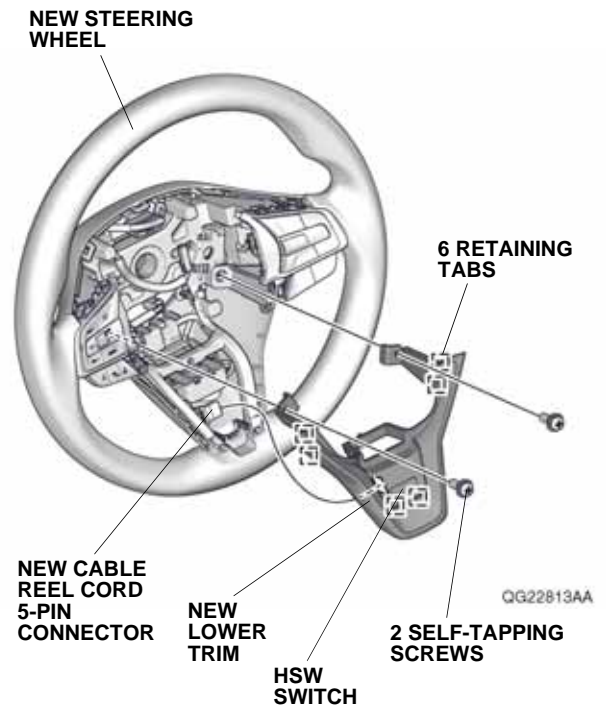
40. Install the lower trim molding to the new lower trim.



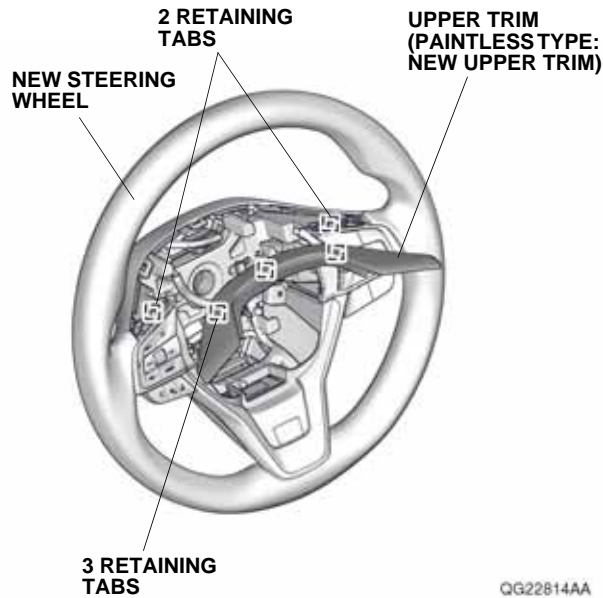
41. Install the HSW switch to the new lower trim.



42. Plug the new cable reel cord 5-pin connector into the HSW switch, and install the new lower trim to the new steering wheel with the two self-tapping screws removed in step 31.

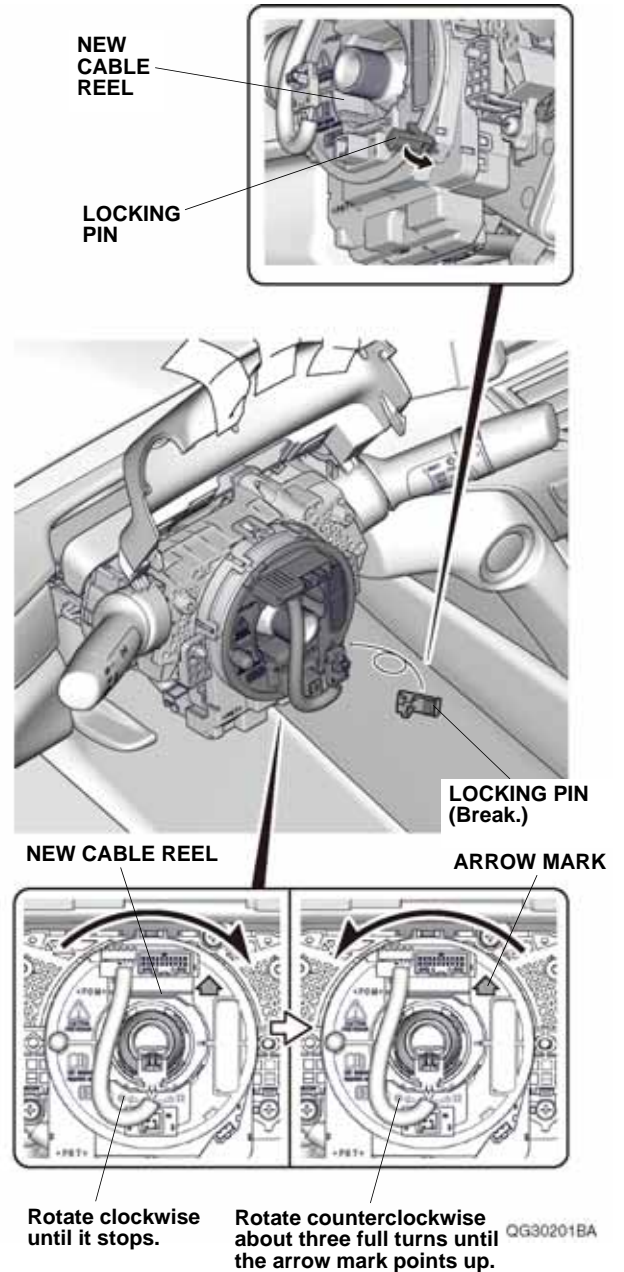


43. Install the upper trim to the new steering wheel.



QG22814AA

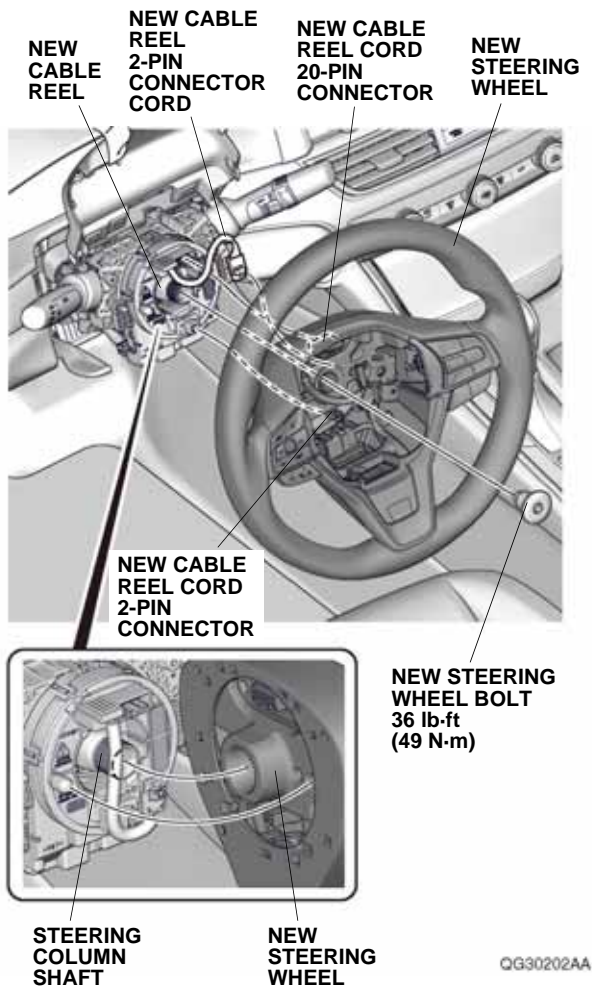
44. Break the locking pin as the direction shown.



QG30201BA

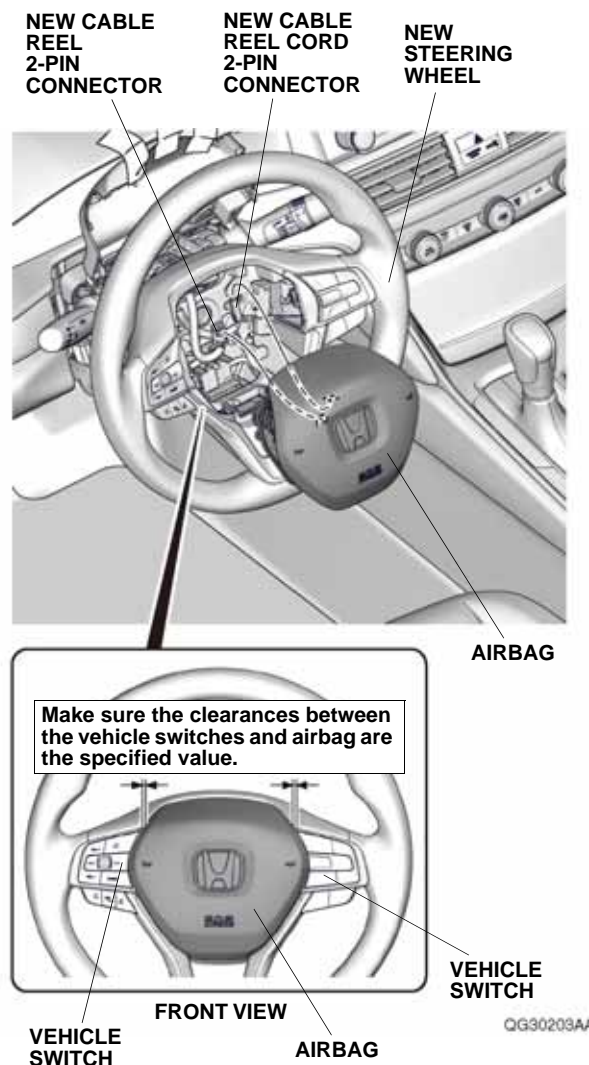
45. Before installing the new steering wheel, make sure the front wheels are still pointing straight-ahead. To confirm the cable reel is line up properly, rotate the cable reel clockwise until it stops, then rotate it counterclockwise about three full turns. The arrow mark on the new cable reel label must point straight up.

46. Install the new steering wheel to the steering column shaft in the straight-ahead position:
- Route the new cable reel 2-pin connector cord through the opening in the new steering wheel.
  - Plug the new cable reel cord 2-pin and 20-pin connectors into the new cable reel.
  - Check that the wire harnesses are not pinched.



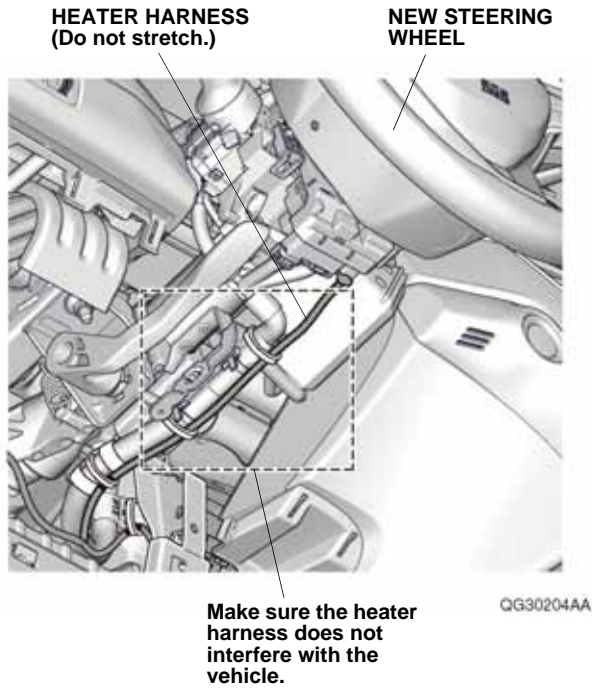
47. Install the new steering wheel bolt. Torque the new steering wheel bolt to 36 lb-ft (49 N-m). Tighten to the specified torque within 5 minutes.

48. Plug the new cable reel cord 2-pin connector and new cable reel 2-pin connector into the airbag, and install the airbag to the new steering wheel.
- NOTE: The airbag connector has a yellow harness cover.

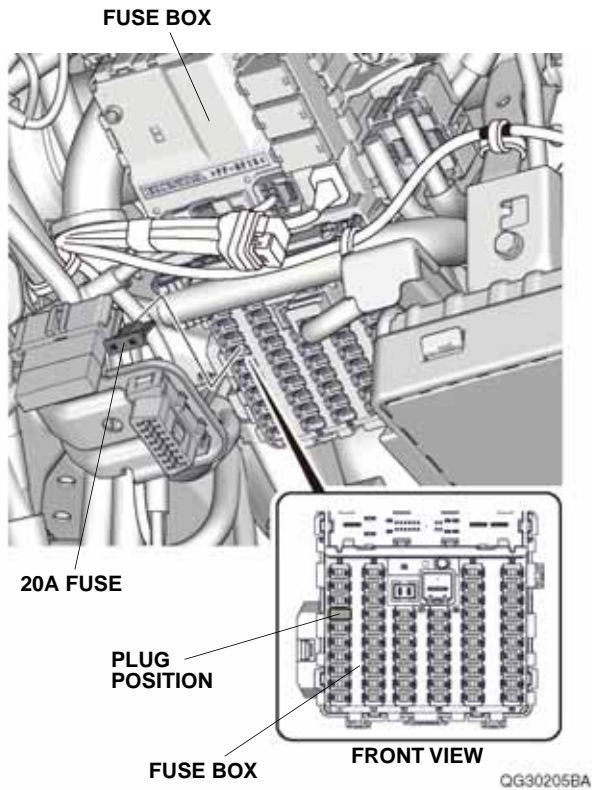




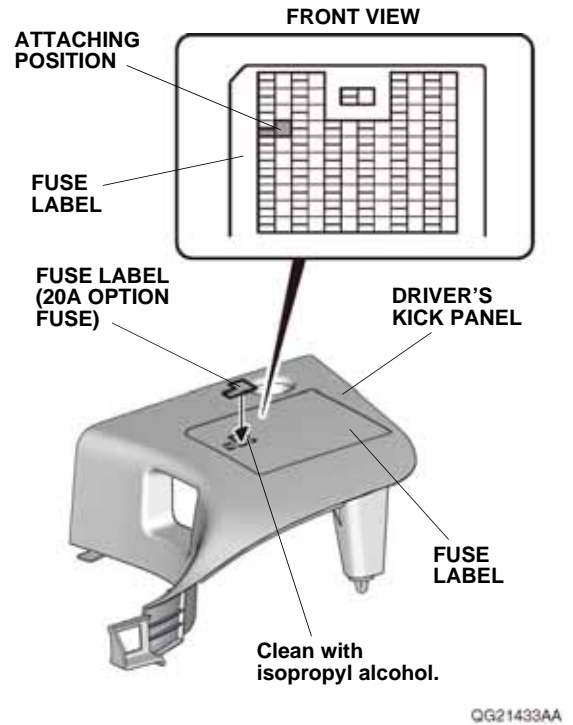
49. Check the clearance around the heater harness while moving the new steering wheel up and down, then back and forth.  
NOTE: Adjust the heater harness if necessary.



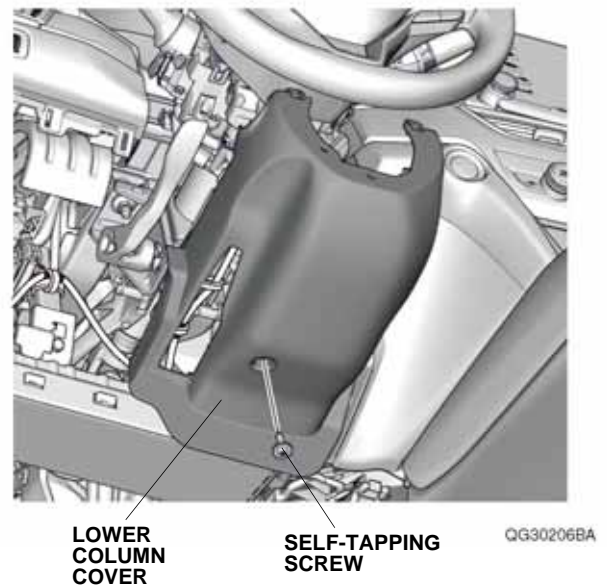
50. Plug the 20A fuse into the fuse box.  
NOTE: If a 20A fuse is already installed in the fuse box as shown, go to step 52; otherwise, plug the 20A fuse into the fuse box.



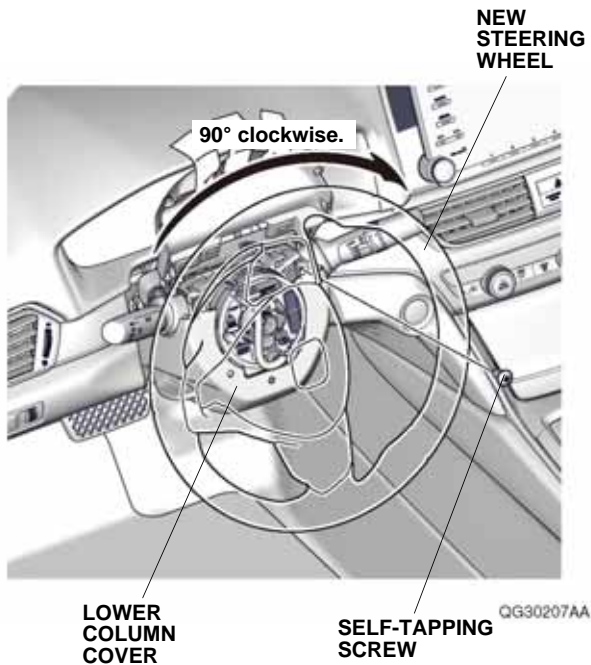
51. Using isopropyl alcohol on a shop towel, thoroughly clean the fuse label where it will attach. Attach the fuse label (20A OPTION FUSE) to the fuse label on the driver's kick panel as shown.



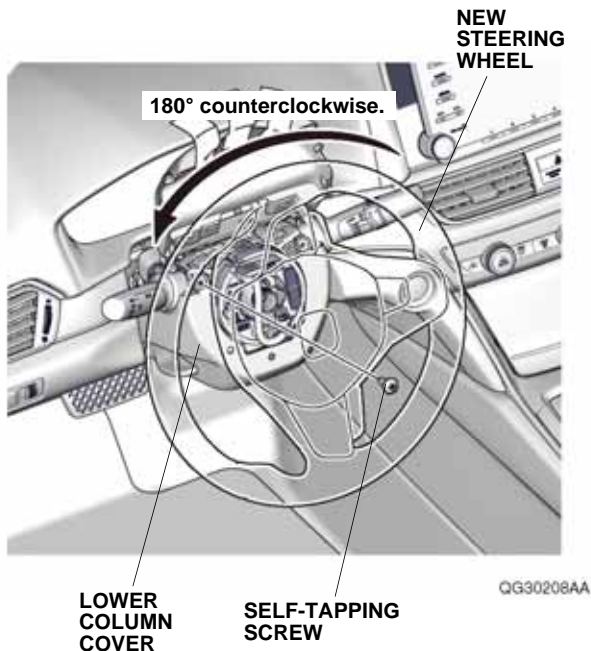
52. Install the lower column cover.



53. Connect the negative cable to the battery, then turn the ignition to ON. Turn the new steering wheel 90° clockwise. Secure the lower column cover.



54. Turn the new steering wheel 180° counterclockwise. Secure the lower column cover.



55. Turn the ignition to OFF, then disconnect the negative cable from the battery.

56. Check that all wire harnesses are routed properly and all connectors are plugged in.
57. Install all removed parts.
58. Connect the negative cable to the battery.
59. Connect the i-HDS, and clear the DTCs.
60. Inspect the following items. If any abnormality is found, troubleshoot as described in the service information.
- Turn the ignition to ON. The SRS indicator should come on for about 6 seconds and then go off.
  - Make sure the horn and steering wheel switches work properly.
61. Press and hold the audio unit power button for 2 seconds to restore the audio and navi (if equipped) system functions.
62. Set the clock on vehicles without navigation.
63. If necessary, restore the systems back to normal operation as described in the service information.
64. Make sure the new steering wheel is in the straight-ahead position with the front wheels. If the spoke angle of the new steering wheel is not in the straight-ahead position with the front wheels, adjust the front toe as described in the service information.
65. Do the VSA sensor neutral position memorization as described in the service information.

#### Check the Operation of the Heated Steering Wheel

66. Check that the heated steering wheel works as described in the Accessory User's Information Manual supplied with the heated steering wheel kit.