



# INSTALLATION INSTRUCTIONS

Accessory  
**FRONT FENDER TRIMS**  
P/N 08F59-TVA-100

Application  
**2018 ACCORD**

Publications No.  
**VERSION 1**

Issue Date  
**OCT 2017**

## PARTS LIST

Left front fender trim



Right front fender trim



Template



2 Alcohol wipes



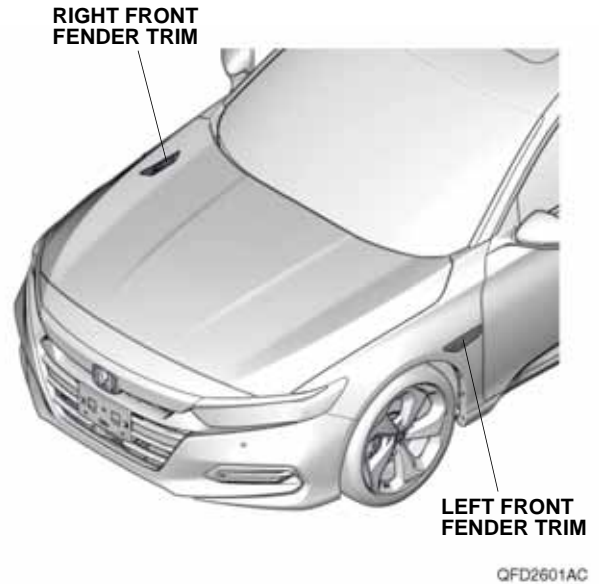
## TOOLS AND SUPPLIES REQUIRED

Masking tape

*The following tool is available through the Honda Tool and Equipment Program. On the iN, click on Service > Service Bay > Tool and Equipment Program, then enter the number under "Search." Or, call 888-424-6857.*

Rubber Roller (T/N MHLE54D)

## Illustration of the Front Fender Trims on the Vehicle



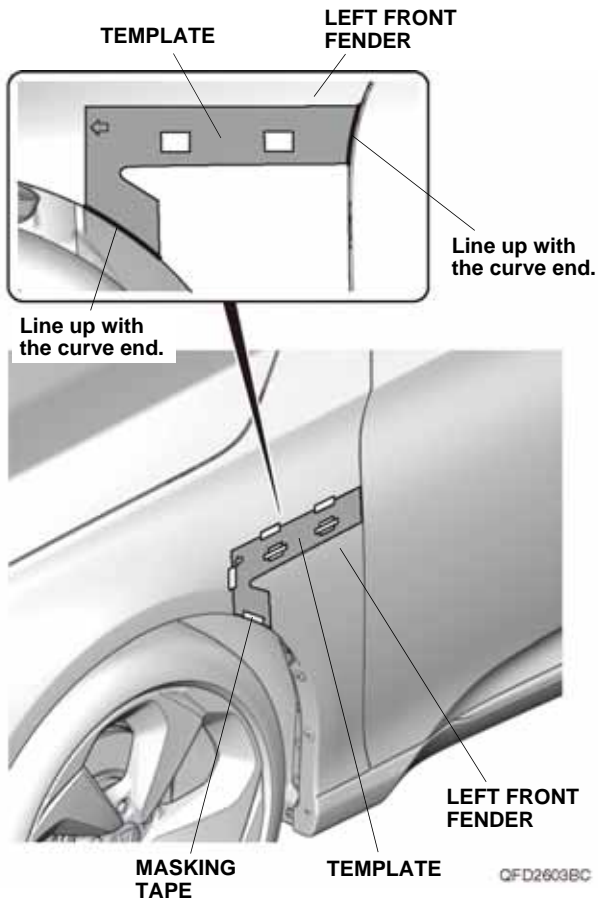
## INSTALLATION

**Customer Information:** The information in this installation instruction is intended for use only by skilled technicians who have the proper tools, equipment, and training to correctly and safely add equipment to your vehicle. These procedures should not be attempted by "do-it-yourselfers."

### NOTE:

- Be careful not to damage the body paint finish.
- This kit should be installed only if the ambient air temperature is 15°C (60°F) or above.
- To allow the adhesive to cure, do not wash the vehicle for 24 hours. Make sure the customer is aware of this.

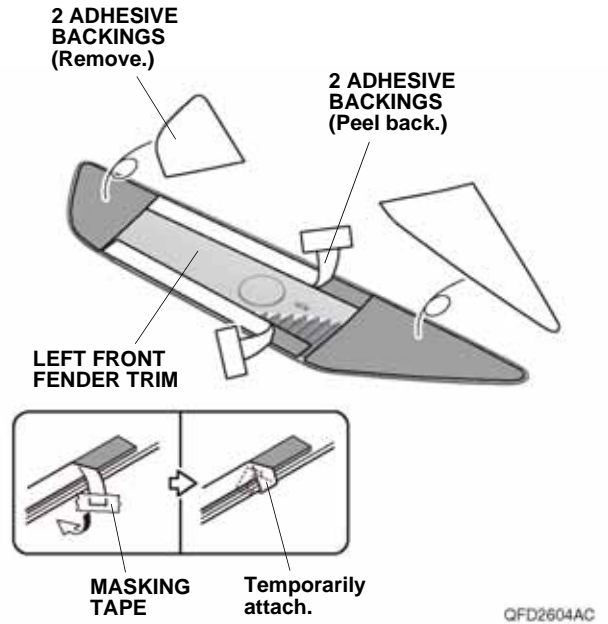
1. Line up the template with the curve end, and attach it to the left front fender with masking tape as shown.



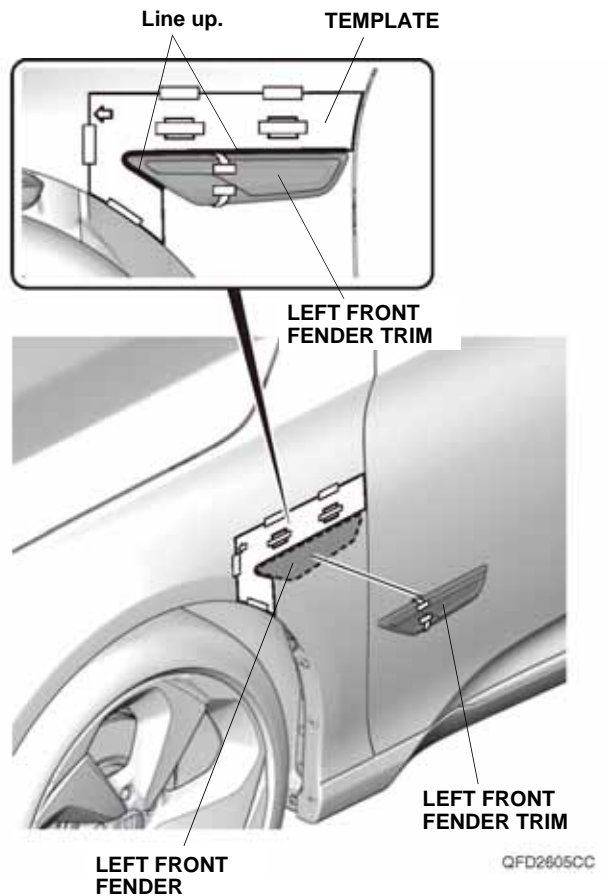
2. Using an alcohol wipe, thoroughly clean the left front fender where the left front fender trim will attach.



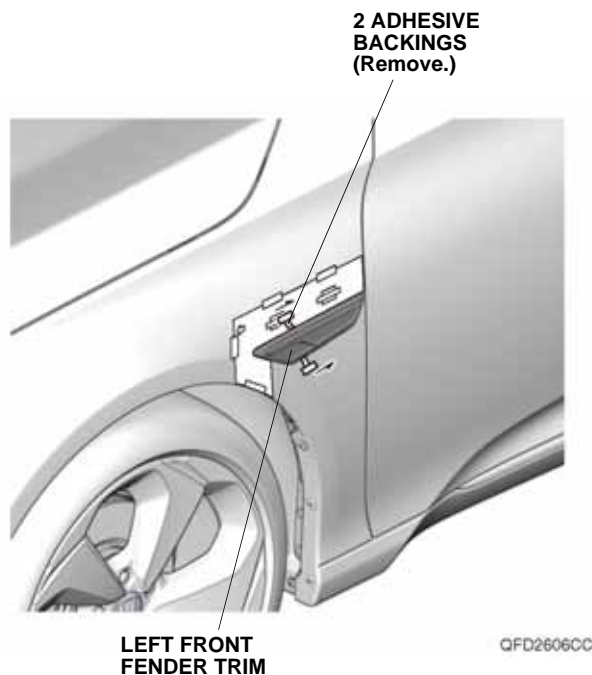
3. Peel back the adhesive backings, and tape them to the front surface of the left front fender trim with masking tape. Remove the remaining adhesive backings.



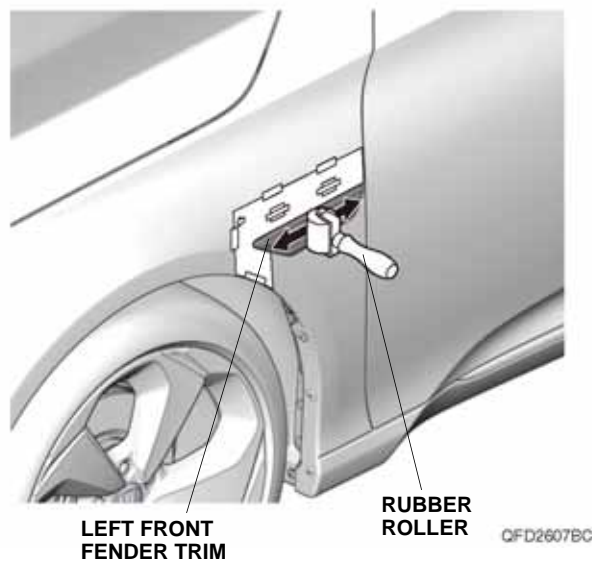
4. Line up the left front fender trim with the template, and attach it to the left front fender as shown.



5. While applying light pressure against the left front fender trim, carefully remove the taped adhesive backings.



6. Using a rubber roller, apply firm pressure against the left front fender trim and roll from one end to the other. Remove the template.  
NOTE: Apply firm pressure, especially at the ends.



7. Turn the template over, and repeat steps 1 through 6 for the other side.