



# INSTALLATION INSTRUCTIONS

<b>Accessory</b> <b>CARGO HOOK</b> <b>P/N 08L96-TA0-101A</b>	<b>Application</b> <b>2018 ACCORD</b>	<b>Publications No.</b> <b>VERSION 1</b>
		<b>Issue Date</b> <b>OCT 2017</b>

## PARTS LIST

Cargo hook



Rivet nut



Washer (small)



Spring washer



Bolt



Accessory User's Information Manual



Flange nut  
(Not used)



Washer (large)  
(Not used)



## TOOLS AND SUPPLIES REQUIRED

Hex wrench

19 mm Open end wrench

10 mm Socket

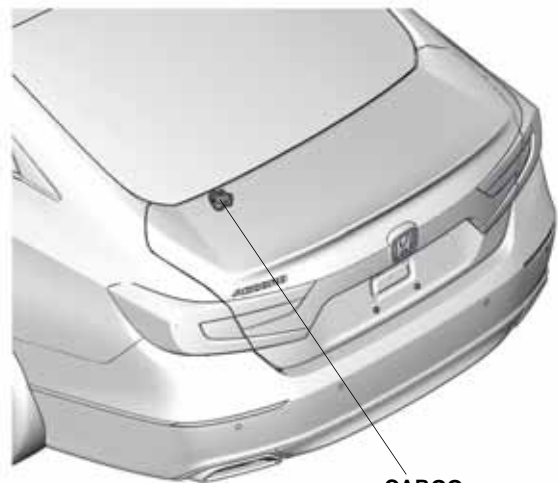
Ratchet

Torque wrench

*The following tool is available through the Honda Tool and Equipment Program. On the iN, click on Service > Service Bay > Tool and Equipment Program, then enter the number under "Search." Or, call 888-424-6857.*

Rivet Nut Tool, 6 mm (T/N 07AAE-000A100)

## Illustration of the Cargo Hook in the Vehicle



QG20701AN

## INSTALLATION

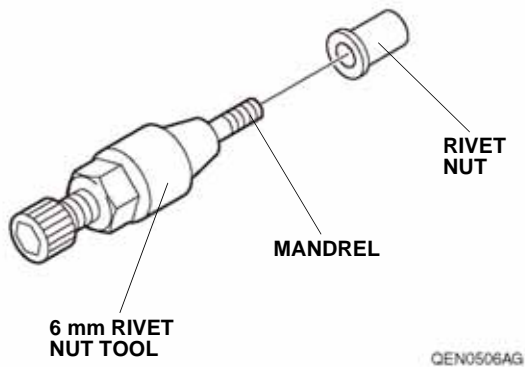
**Customer Information:** The information in this installation instruction is intended for use only by skilled technicians who have the proper tools, equipment, and training to correctly and safely add equipment to your vehicle. These procedures should not be attempted by “do-it-yourselfers.”

### NOTE:

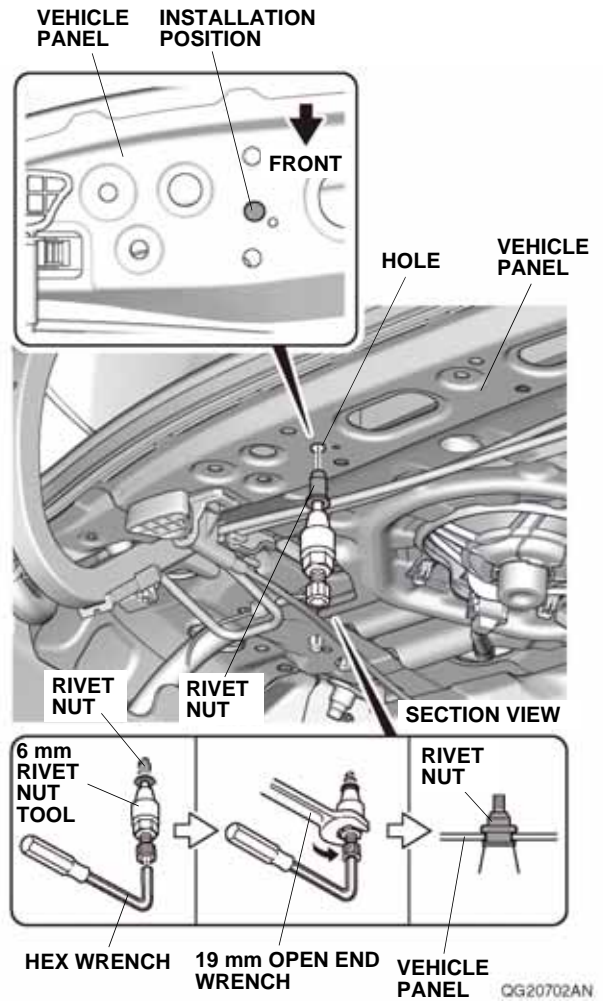
- Be careful not to damage the body.
- This instruction shows the cargo hook being installed on the left side of the vehicle. An additional cargo hook (sold separately) can be installed on the right side of the vehicle.

### Installing the Cargo Hook

1. Thread the rivet nut onto the mandrel of the 6 mm rivet nut tool as shown.



2. Insert the rivet nut into the hole in the vehicle panel, and install the hex wrench on the 6 mm rivet nut tool. NOTE: Make sure to insert the rivet nut in the correct position.



3. While holding the 6 mm rivet nut tool with the hex wrench, turn the 19 mm open end wrench counterclockwise to install the rivet nut into the vehicle panel.
4. Remove the 6 mm rivet nut tool from the rivet nut by turning the hex wrench counterclockwise.

5. Line up the cargo hook pin with the hole in the vehicle panel, and secure the cargo hook to the vehicle panel with one bolt, spring washer, and washer (small). Torque the bolt to 3.0 lb-ft (4.0 N·m).

