



# INSTALLATION INSTRUCTIONS

Accessory  
**FENDER FLARES**  
P/N 08P21-T6Z-100

Application  
**2017 RIDGELINE**

Publications No.  
**VERSION 1**

Issue Date  
**MAY 2016**

## PARTS LIST

Right front bumper flare



Left front bumper flare



Right front fender flare



Left front fender flare



Right rear bumper flare



Left rear bumper flare



Right rear fender flare



Left rear fender flare



8 Clips



4 Snap fit clips



6 Alcohol swabs



2 Self-tapping screws, 5 x 14 mm



2 Self-tapping screws, 5 x 20 mm



2 Washers



2 Spring nuts



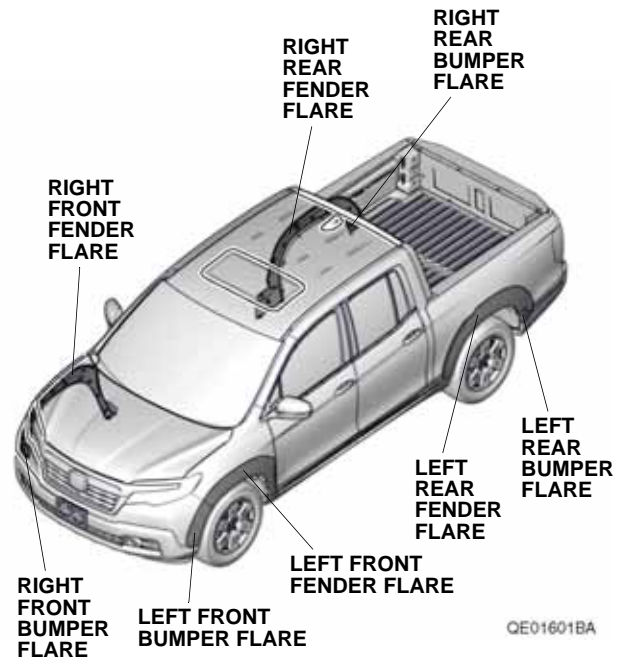
### TOOLS AND SUPPLIES REQUIRED

- Phillips screwdriver
- Stubby Phillips screwdriver
- Flat-tip screwdriver
- Ratchet
- 10 mm Socket
- 10 mm Open end wrench
- Blanket
- Shop towel
- Pushpin
- Drill
- 3 mm, 5 mm, 6 mm, 8 mm, and 10 mm Drill bits
- Eye protection (face shield, safety goggles, etc.)
- File
- Utility knife
- Masking tape
- Tape

*The following tools are available through the Honda Tool and Equipment Program. On the iN, click on: Service > Service Bay > Tool and Equipment Program, then enter the number under "Search." Or, call 888-424-6857.*

- Trim Tool Set (T/N SOJATP2014)
- Air Saw (T/N AT192A)

### Illustration of the Fender Flares on the Vehicle

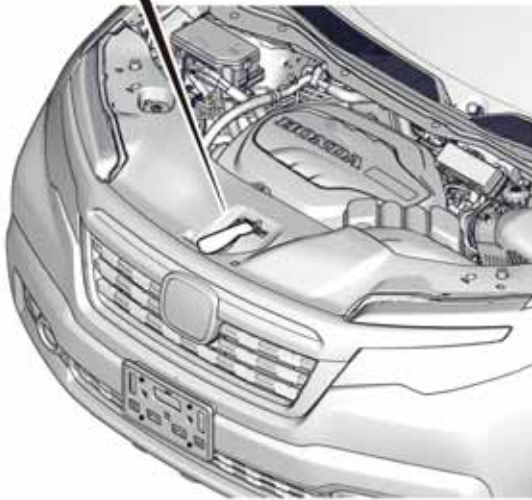
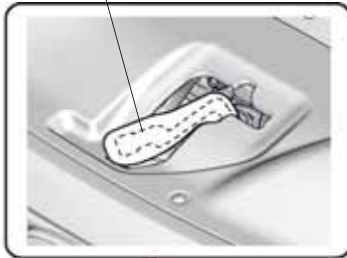


## INSTALLATION

**Customer Information:** The information in this installation instruction is intended for use only by skilled technicians who have the proper tools, equipment, and training to correctly and safely add equipment to your vehicle. These procedures should not be attempted by “do-it-yourselfers.”

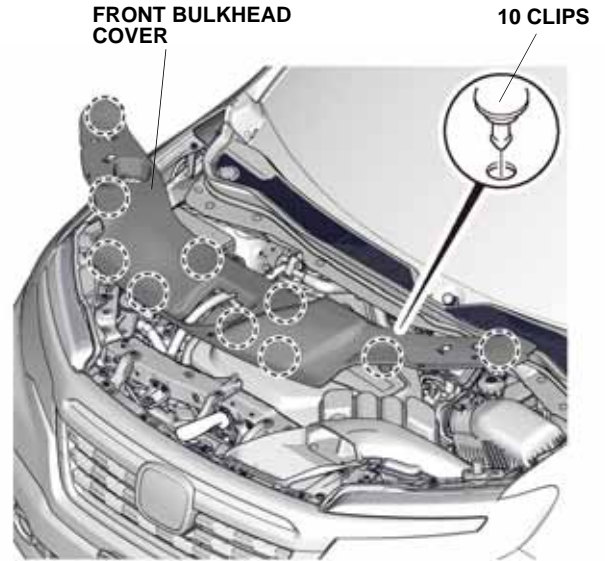
1. Disconnect the negative cable from the battery:
  - Wrap a shop towel around the hood latch.

**HOOD LATCH**  
(Wrap with a shop towel.)



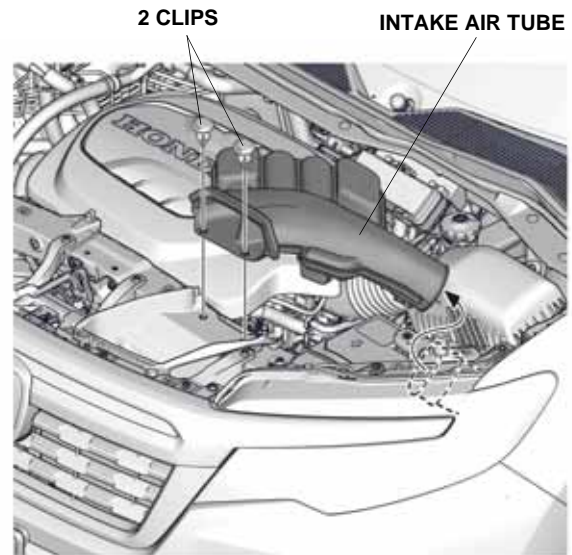
QE01402BB

- Remove the front bulkhead cover.



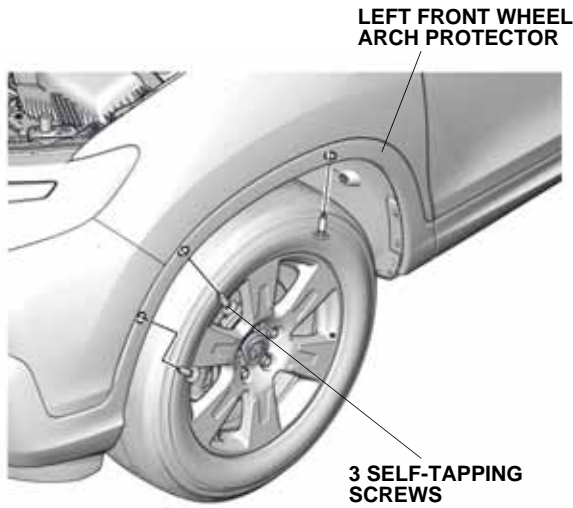
QE01403AB

- Remove the intake air tube.
- Disconnect the negative cable from the battery.



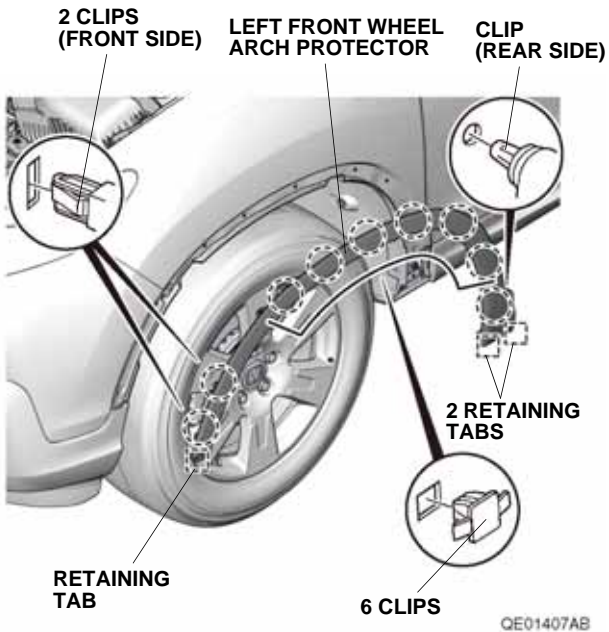
QE01404AB

- Remove the three self-tapping screws from the left front wheel arch protector.



QE01406AB

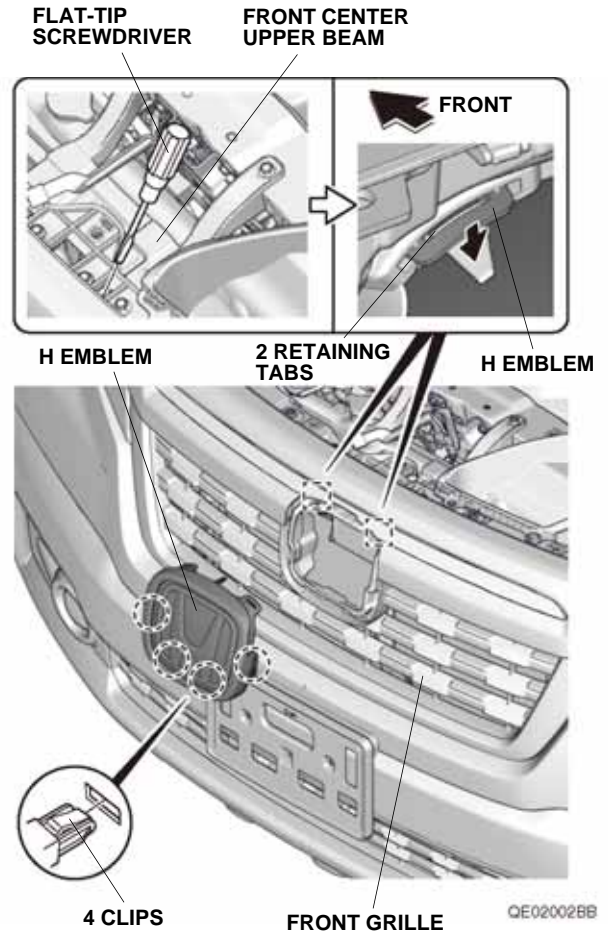
- Remove the left front wheel arch protector.



QE01407AB

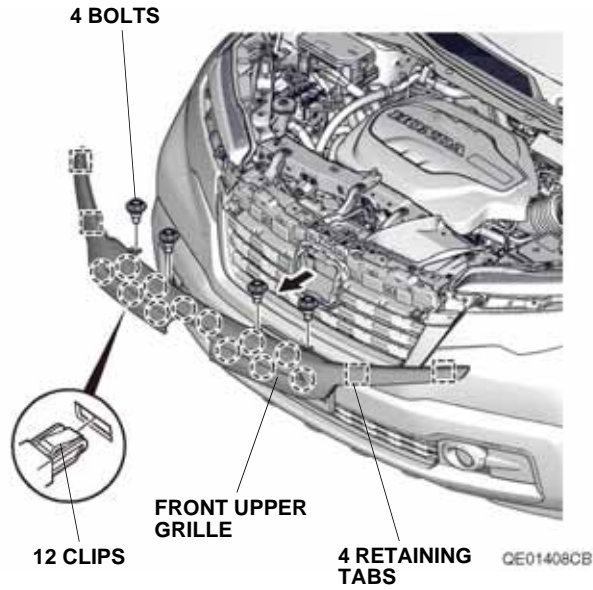
- Repeat steps 2 and 3 on the right side of the vehicle.

- Remove the front bumper:
  - Using a flat-tip screwdriver, remove the H emblem from the front grille.

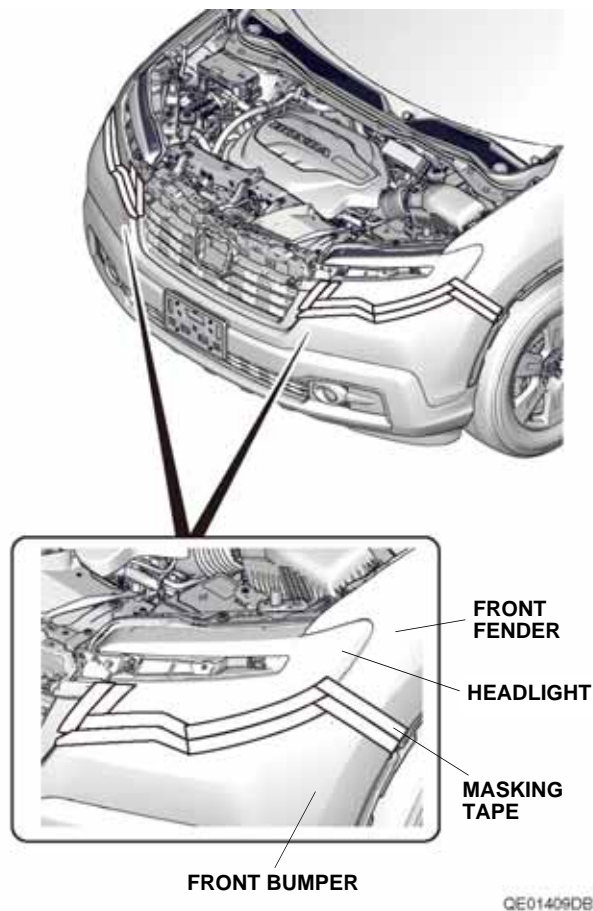


QE02002BB

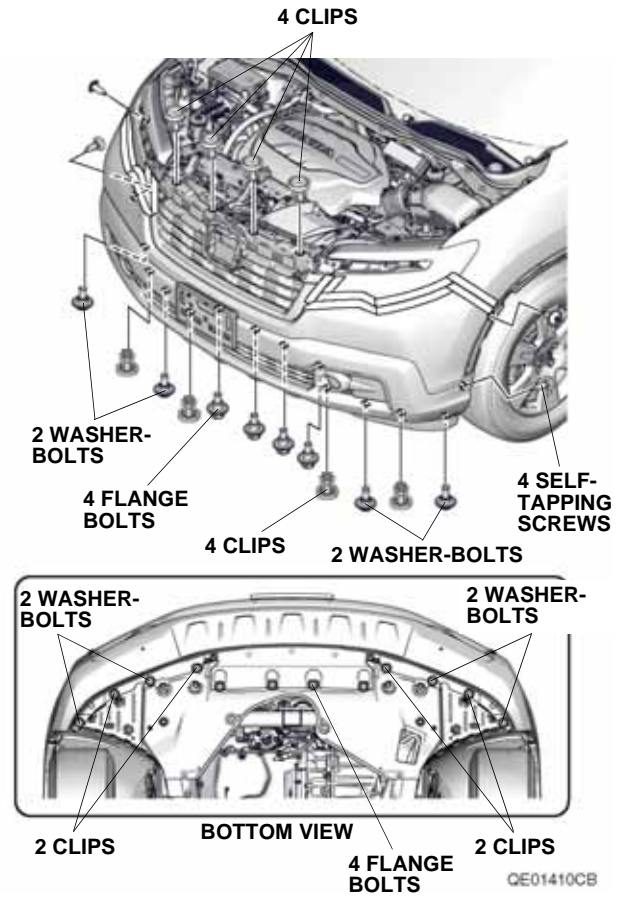
- Remove the front upper grille.



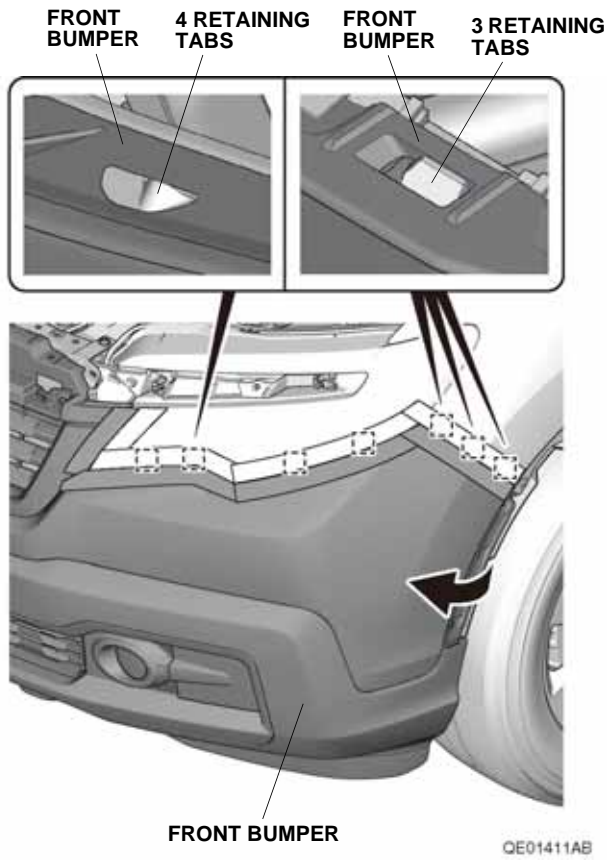
- Apply masking tape on each side as shown.



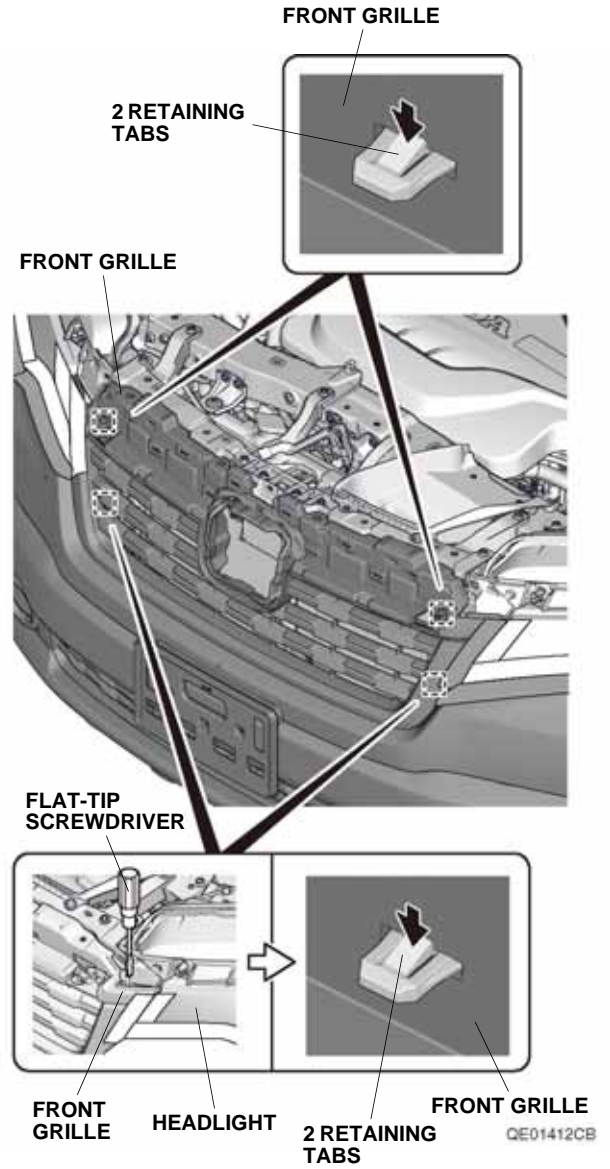
- Remove the four self-tapping screws, eight clips, four washer-bolts, and four flange bolts.



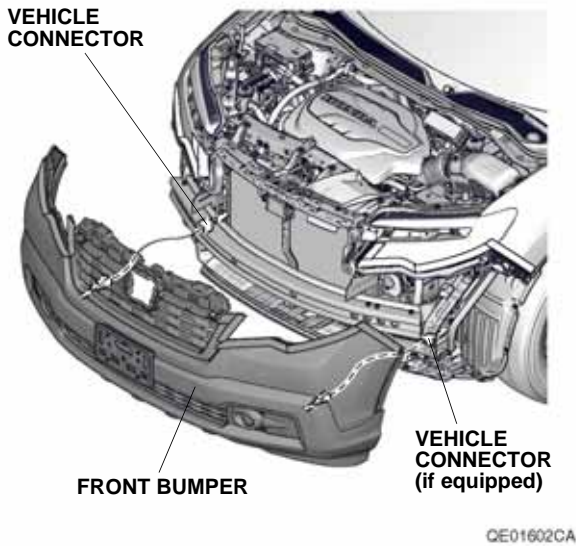
- With the help of an assistant, release the seven retaining tabs on each side.



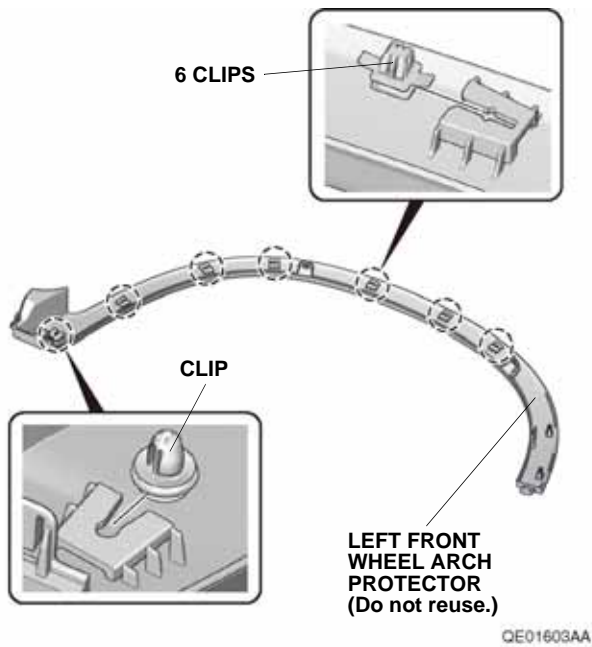
- Release the front grille.



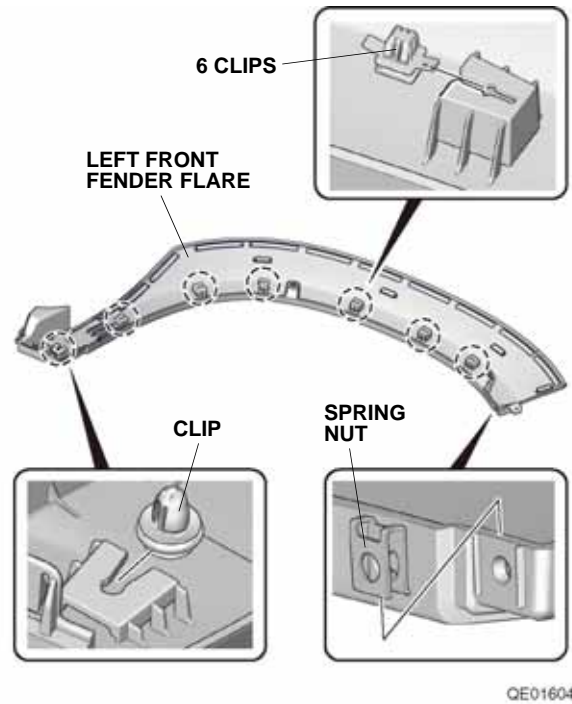
- With the help of an assistant, remove the front bumper and unplug the vehicle connectors.
- Place the front bumper on a blanket.



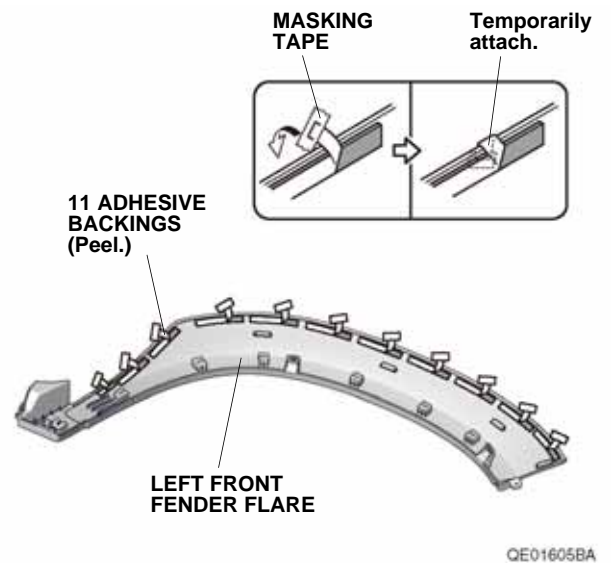
6. Remove the seven clips from the left front wheel arch protector.



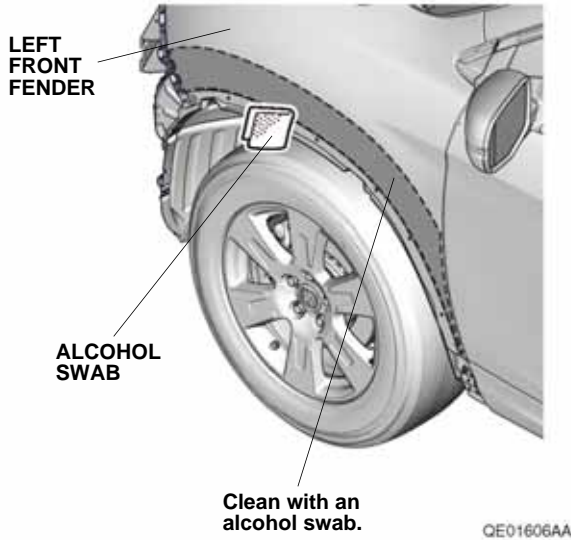
7. Install the seven clips removed in step 6 to the left front fender flare.



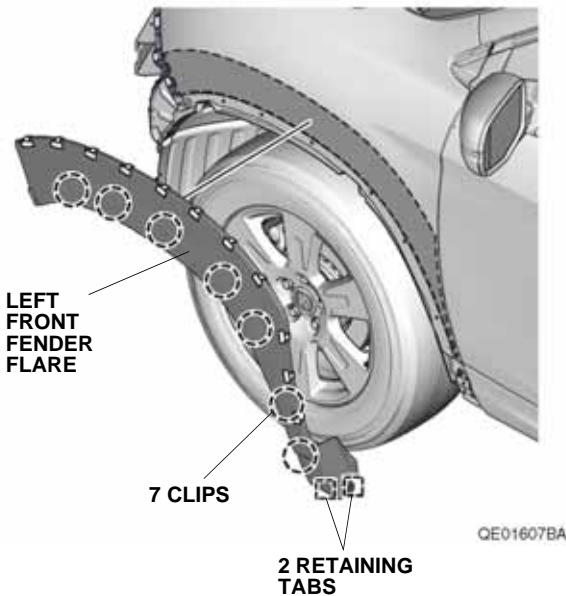
8. Install one spring nut to the left front fender flare as shown.  
NOTE: Make sure to install the spring nut in the correct orientation.
9. Attach a piece of masking tape to the end of the adhesive backings as shown. Peel back the adhesive backings partway and temporarily attach them to the front surface of the left front fender flare.



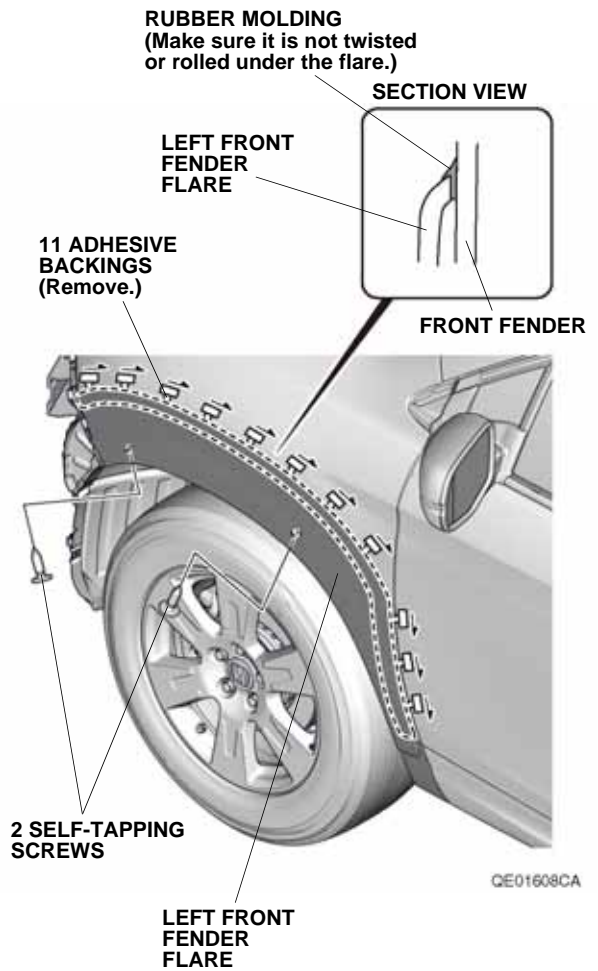
- Using one alcohol swab, thoroughly clean the area where the left front fender flare will attach.



- Install the left front fender flare to the left front fender.



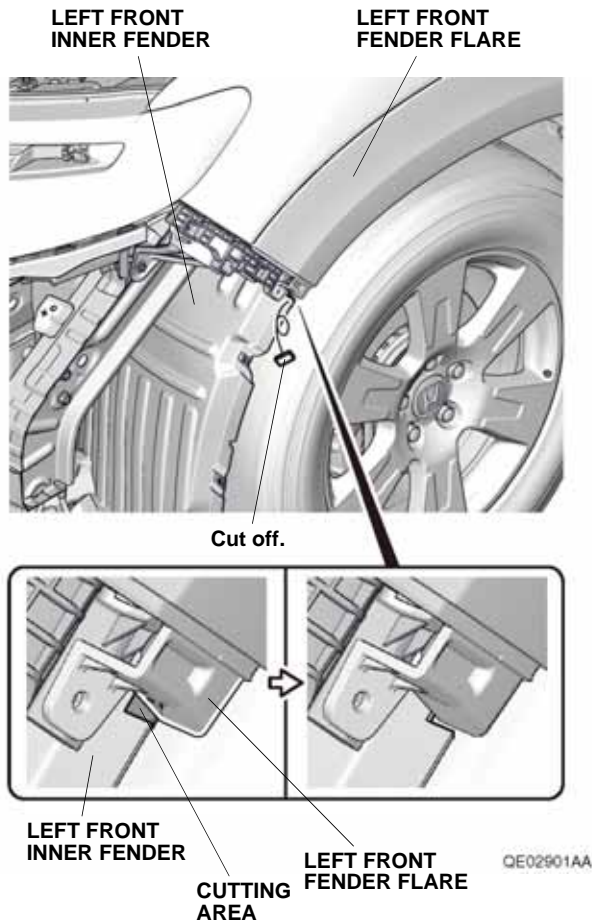
- Secure the left front fender flare to the left front fender with the two self-tapping screws removed in step 2.



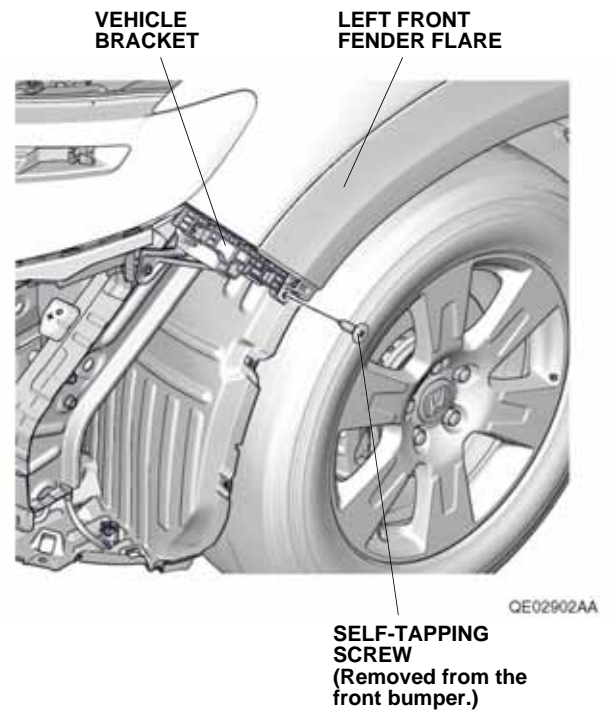
- While applying light pressure against the left front fender flare, carefully remove the taped adhesive backings.
- Using the palm of your hand, firmly press the left front fender flare against the left front fender.



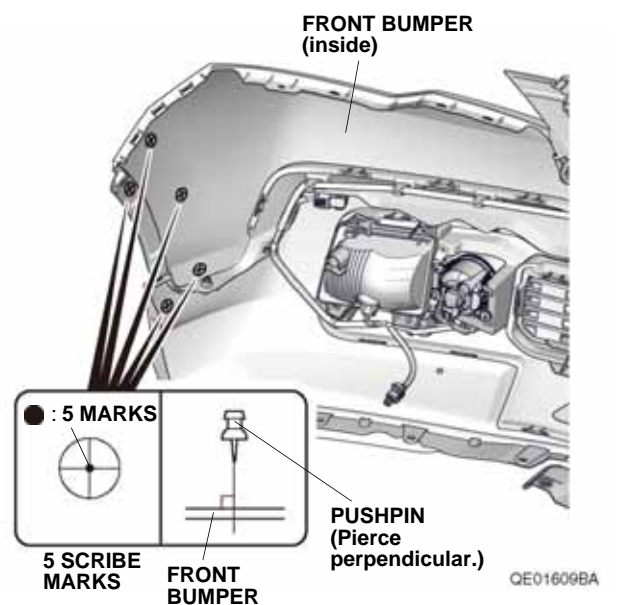
- Using a utility knife, cut off the left front inner fender where the left front fender flare is interfering as shown.



- Secure the left front fender flare to the vehicle bracket with the self-tapping screw removed from the front bumper.

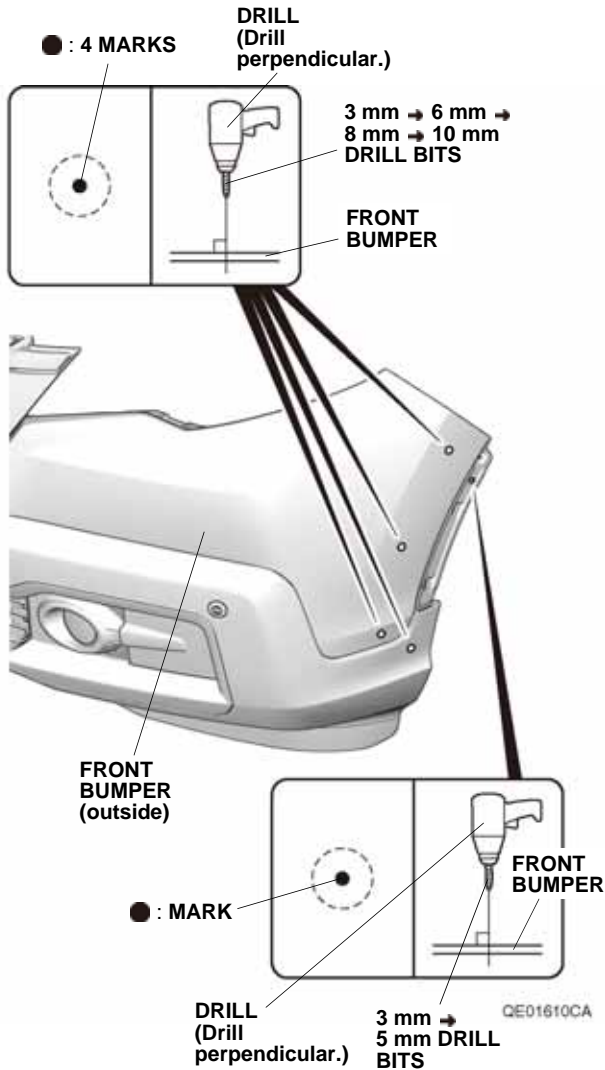


- Repeat steps 6 through 16 on the right side of the vehicle to install the right front fender flare.
- Using a pushpin, pierce the five scribe marks on the front bumper.  
NOTE: Make sure to pierce perpendicular to the front bumper.



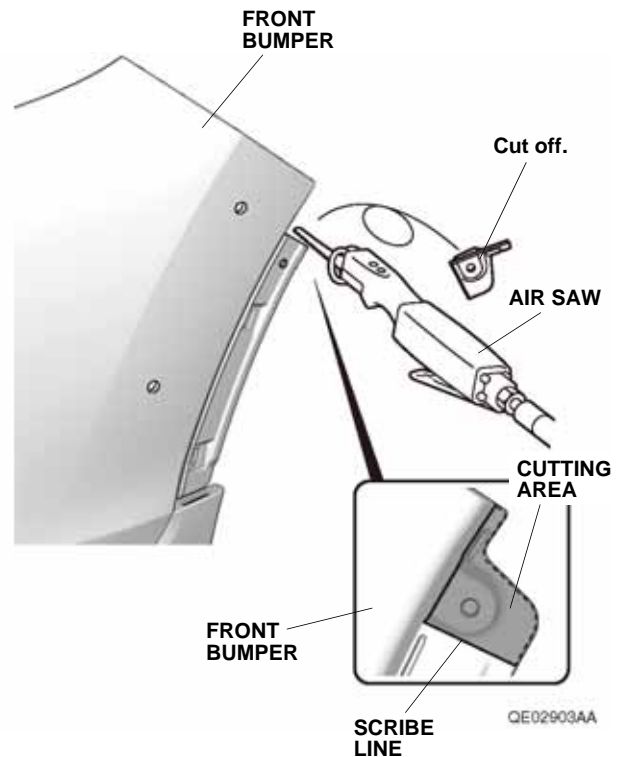
19. While wearing eye protection, drill the four pierced marks on the front bumper to 10 mm. Drill first with a 3 mm drill bit. Next, drill with a 6 mm drill bit and an 8 mm drill bit. Then, finish with a 10 mm drill bit. Remove any burrs.

NOTE: Make sure to drill perpendicular to the front bumper.

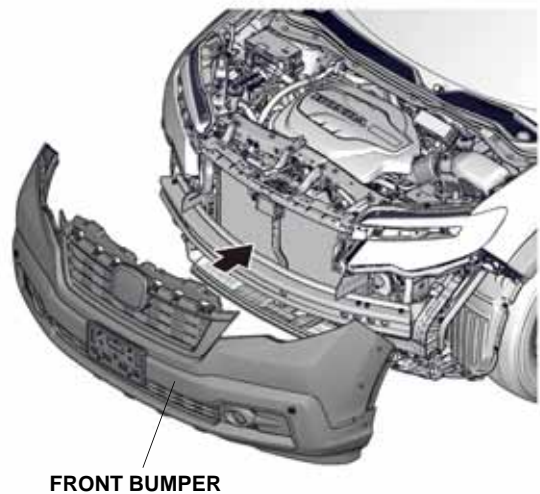


20. While wearing eye protection, drill one pierced mark to 5 mm. Drill first with a 3 mm drill bit, then finish with a 5 mm drill bit. Remove any burrs. NOTE: Make sure to drill perpendicular to the front bumper.

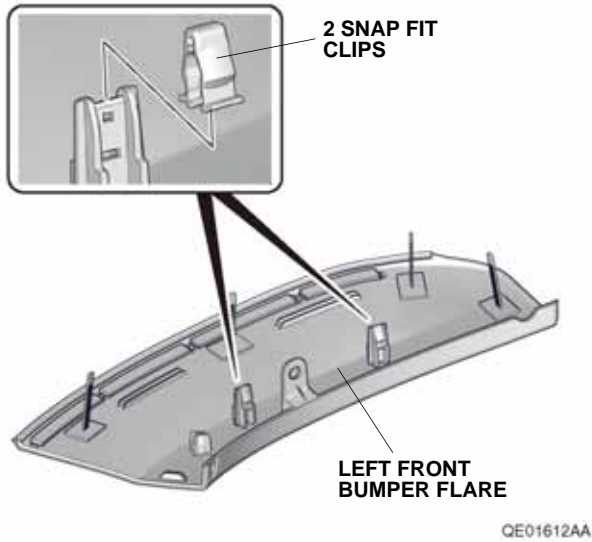
21. While wearing eye protection, cut off the front bumper along the scribe line with an air saw. Remove any burrs.



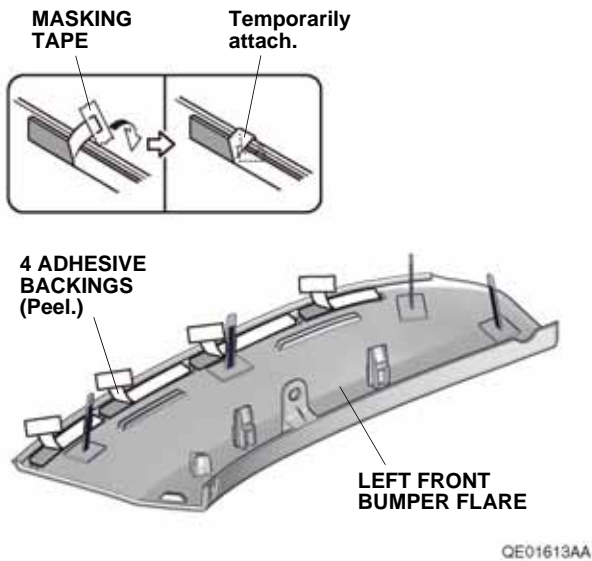
22. Repeat steps 18 through 21 on the right side of the front bumper.
23. With the help of an assistant, temporarily install the front bumper. Do not secure the left and right front inner fenders in this step.



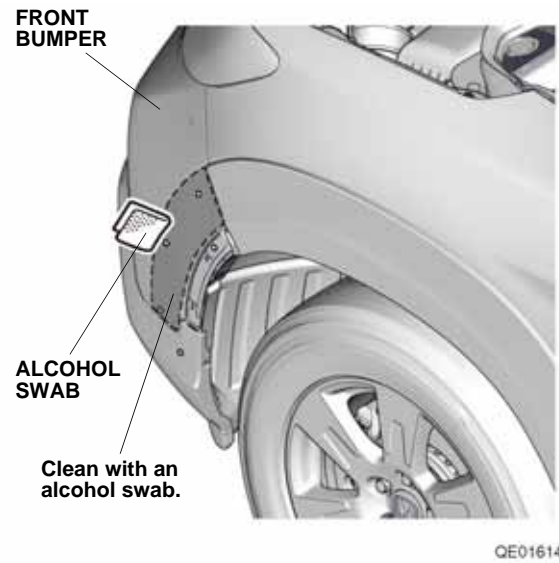
24. Install the two snap fit clips to the left front bumper flare.



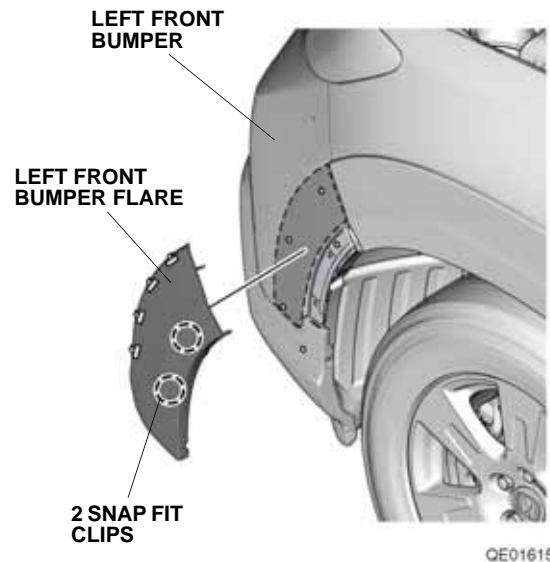
25. Attach a piece of masking tape to the end of the adhesive backings as shown. Peel back the adhesive backings partway and temporarily attach them to the front surface of the left front bumper flare.



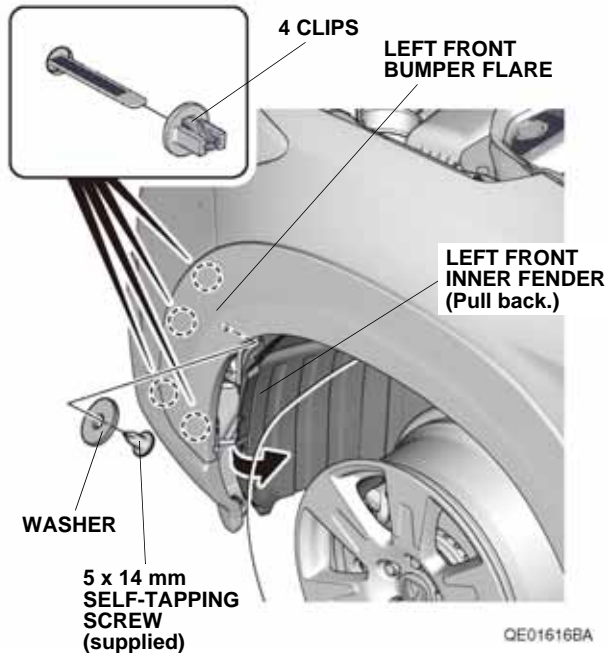
26. Using one alcohol swab, thoroughly clean the area where the left front bumper flare will attach.



27. Install the left front bumper flare to the front bumper with the two snap fit clips.

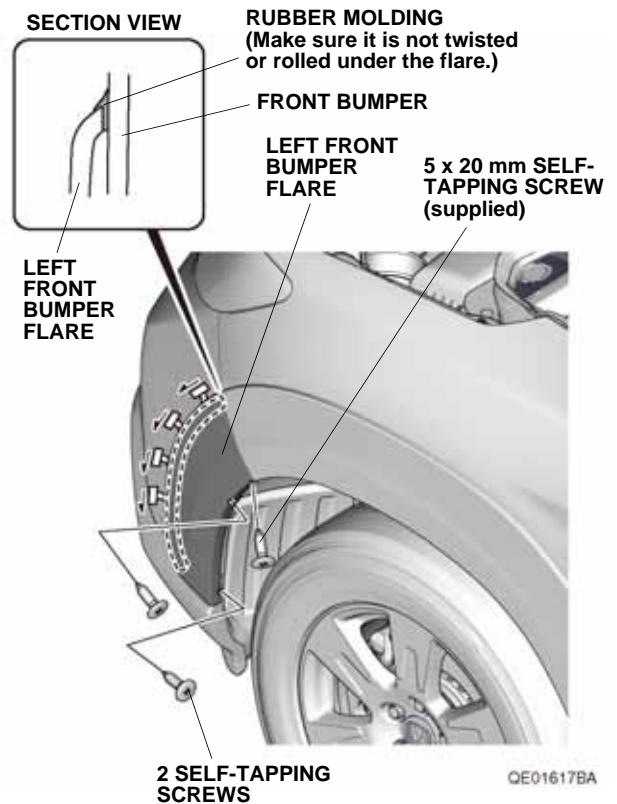


28. Pull back the left front inner fender. Secure the left front bumper flare to the front bumper with the four clips.
- NOTE: Do not push the clip too tightly, or it may deform the left front bumper flare. Adjust the clip, as necessary.



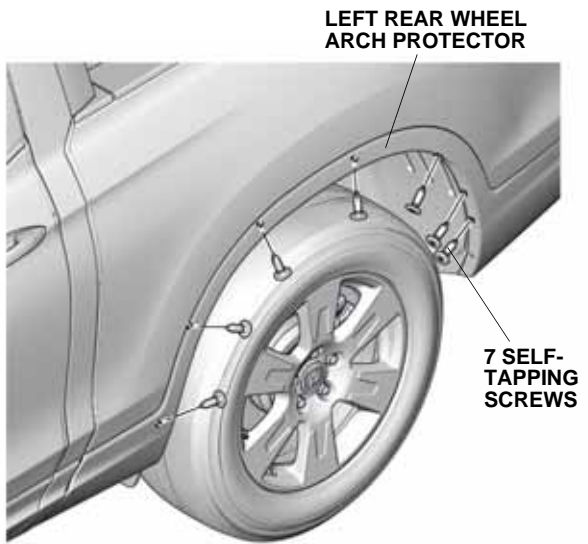
29. Secure the left front bumper flare to the front bumper with one washer and one 5 x 14 mm self-tapping screw.

30. Secure the left front bumper flare to the front bumper with one 5 x 20 mm self-tapping screw and one self-tapping screw removed in step 2. Reinstall one self-tapping screw to the front bumper.



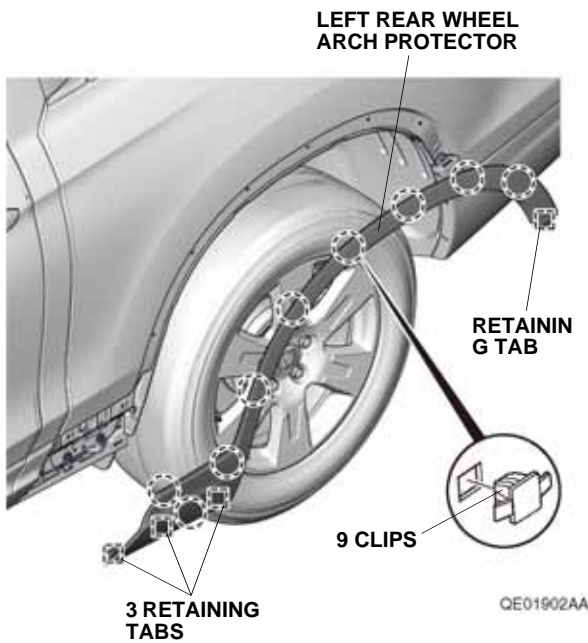
31. While applying light pressure against the left front bumper flare, carefully remove the taped adhesive backings.
32. Using the palm of your hand, firmly press the left front bumper flare against the front bumper.
33. Repeat steps 24 through 32 on the right side of the vehicle to install the right front bumper flare.

34. Remove the seven self-tapping screws from the left rear wheel arch protector.



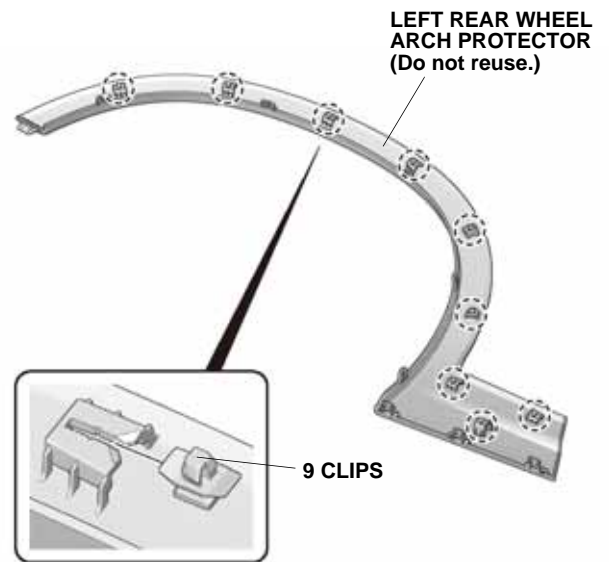
QE01901AA

35. Remove the left rear wheel arch protector.



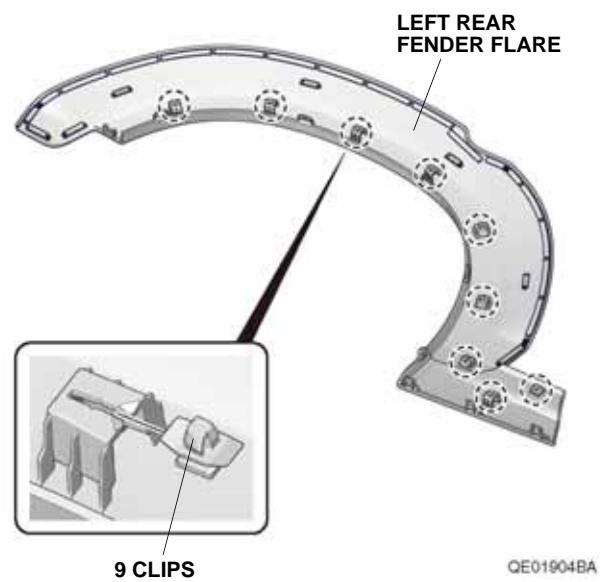
QE01902AA

36. Remove the nine clips from the left rear wheel arch protector.



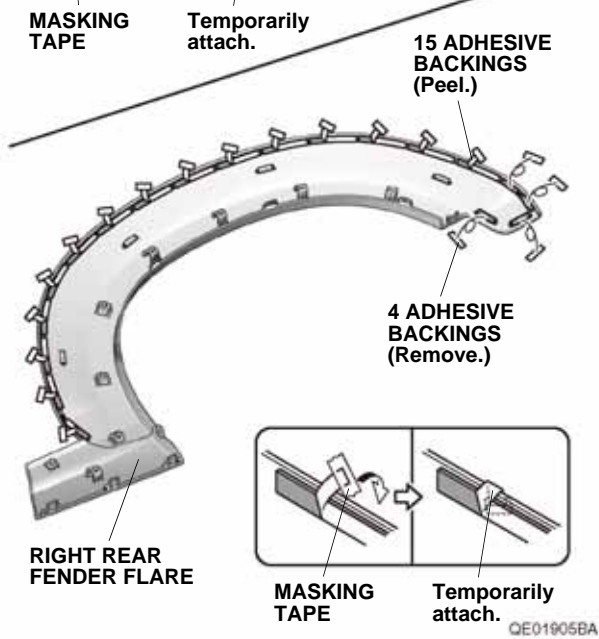
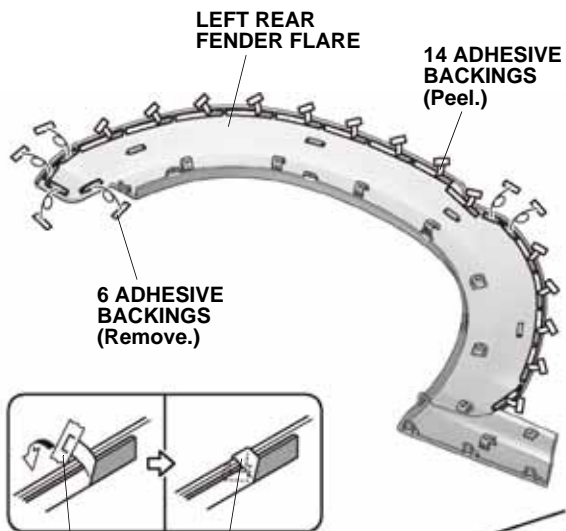
QE01903AA

37. Install the nine clips removed in step 36 to the left rear fender flare.

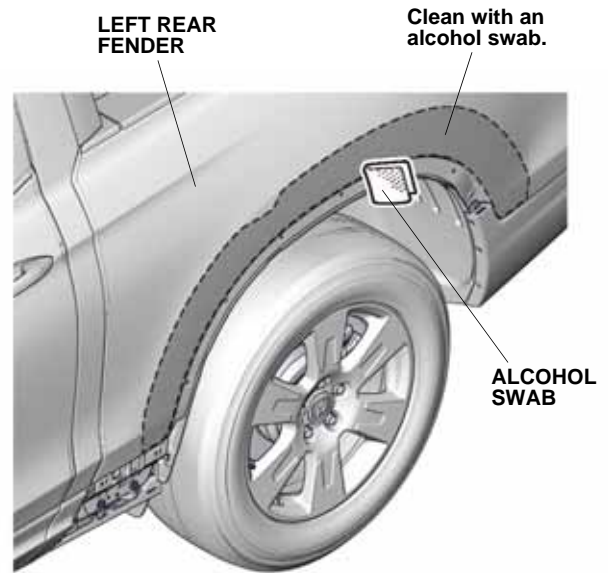


QE01904BA

38. Attach a piece of masking tape to the end of the adhesive backings as shown. Peel back the adhesive backings partway and temporarily attach them to the front surface of the left rear fender flare. Remove the remaining adhesive backings.

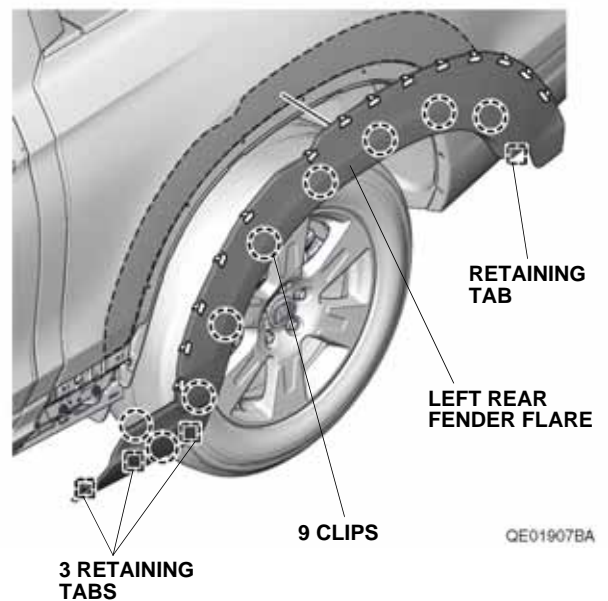


39. Using one alcohol swab, thoroughly clean the area where the left rear fender flare will attach.



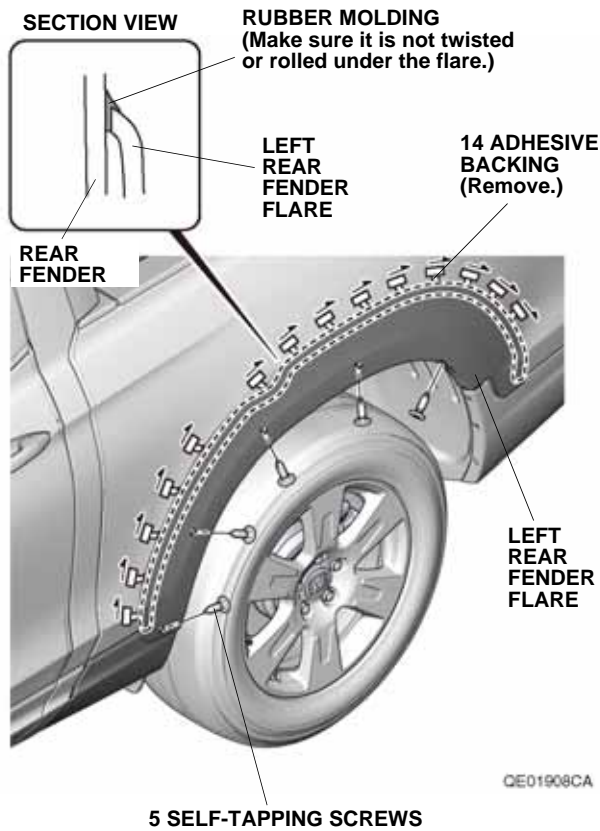
QE01906AA

40. Install the left rear fender flare to the left rear fender.



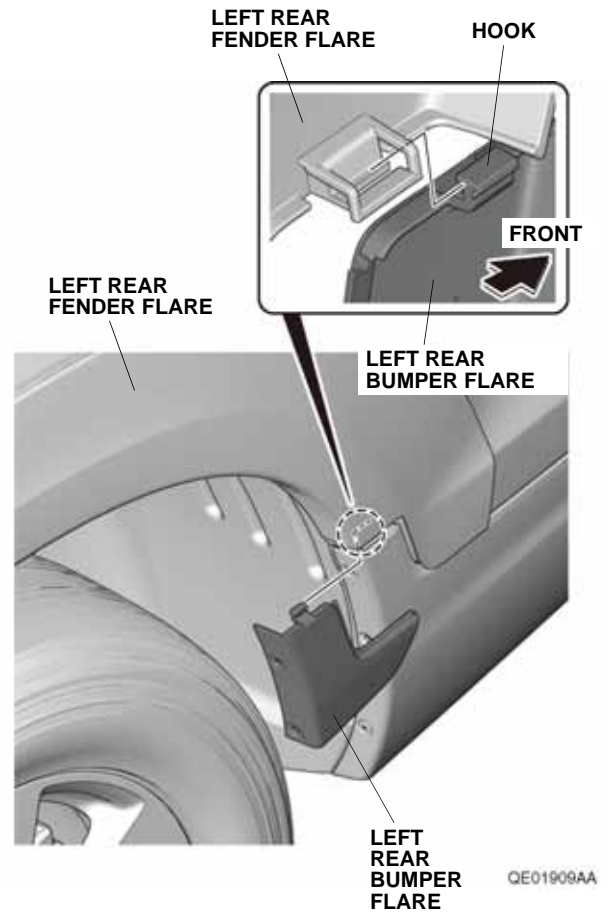
QE01907BA

- Secure the left rear fender flare to the left rear fender with the five self-tapping screws removed in step 34.

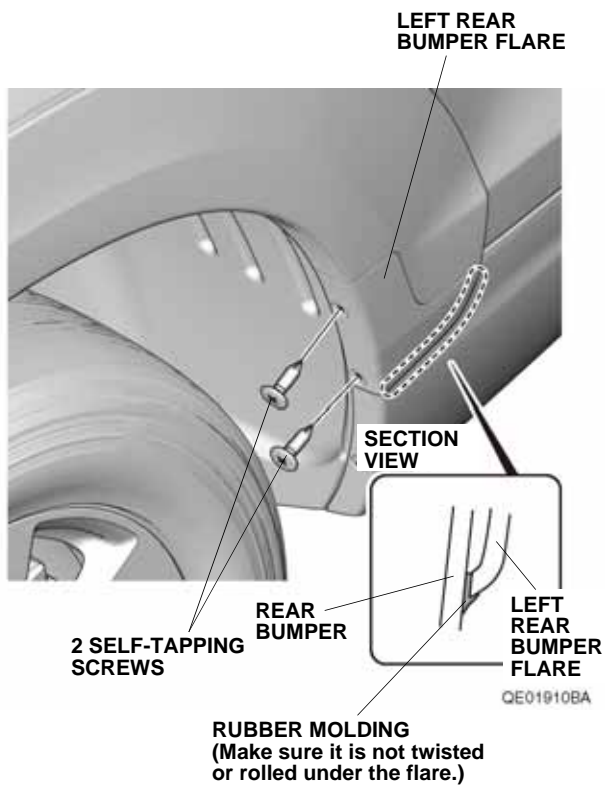


- While applying light pressure against the left rear fender flare, carefully remove the taped adhesive backings.
- Using the palm of your hand, firmly press the left rear fender flare against the left rear fender.

- Align the hook on the left rear bumper flare with the holder on the left rear fender flare, then slide the left rear bumper flare rearward into place.



45. Secure the left rear bumper flare to the rear bumper with the two remaining self-tapping screws removed in step 34.



46. Repeat steps 34 through 45 on the right side of the vehicle to install the right rear fender flare and the right rear bumper flare.
47. Install all removed parts except for the front bulkhead cover and the intake air tube.
48. Check that all wire harnesses are routed properly and all connectors are plugged in.
49. Connect the negative cable to the battery.
50. Install the front bulkhead cover and the intake air tube.
51. Press and hold the audio unit power button for 2 seconds to restore the audio and navi (if equipped) system functions.
52. Set the clock on vehicles without navigation.
53. If necessary, restore the systems back to normal operation as described in the service information.

## MAINTENANCE

### Removing the Rear Bumper

- If you remove the rear bumper, remove the left and right rear bumper flares to access the screws that fasten the rear bumper.

