



# INSTALLATION INSTRUCTIONS

<b>Accessory</b> <b>DOOR EDGE GUARDS</b> <b>P/N 08P20-T6Z-100A</b>	<b>Application</b> <b>2017 RIDGELINE</b>	<b>Publications No.</b> <b>VERSION 1</b>
		<b>Issue Date</b> <b>MAY 2016</b>

## PARTS LIST

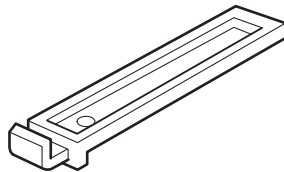
Right front door edge guard

Left front door edge guard

Right rear door edge guard

Left rear door edge guard

Seam sealant cutting tool



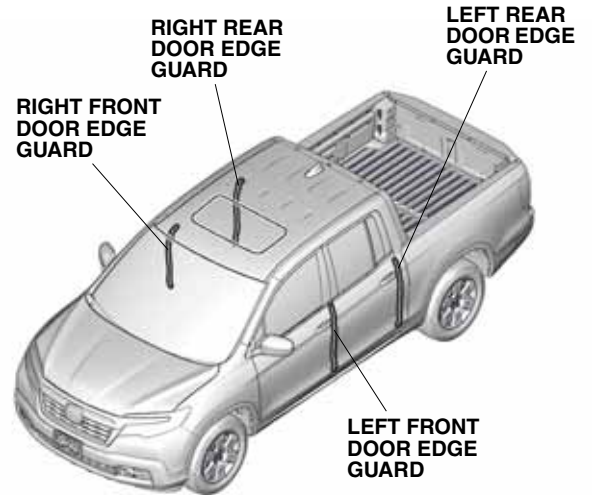
## TOOLS AND SUPPLIES REQUIRED

Rubber mallet

Felt-tip pen

Touch-up paint

## Illustration of the Door Edge Guards on the Vehicle



QE028018N

## INSTALLATION

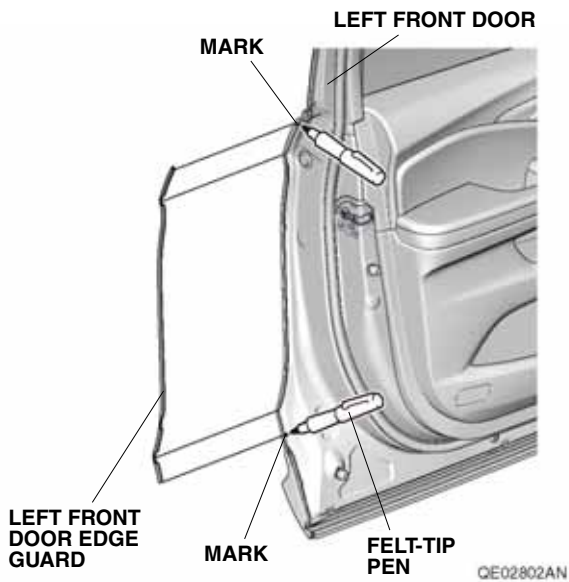
**Customer Information:** The information in this installation instruction is intended for use only by skilled technicians who have the proper tools, equipment, and training to correctly and safely add equipment to your vehicle. These procedures should not be attempted by “do-it-yourselfers.”

### NOTE:

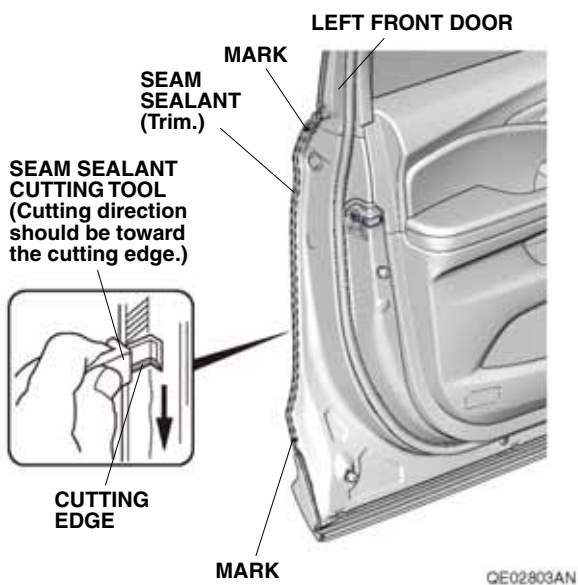
- Identify each door edge guard by holding it up to the door and matching its contour with the door edge.
- If your customer also wants body side moldings (sold separately), install them before you install the door edge guards.
- Clean and wax the areas to be covered with a high-quality paste wax.
- Be careful not to damage the body paint finish.

## Installing the Front Door Edge Guards

1. Gently place the left front door edge guard on the left front door as shown.

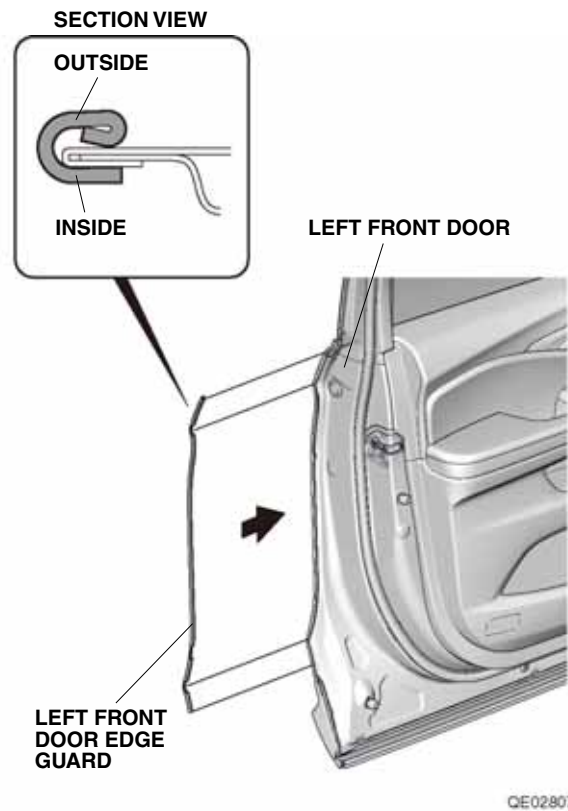


2. Using a felt-tip pen, mark the sealant at the top and bottom ends of the left front door edge guard.
3. Remove the left front door edge guard.
4. Position the cutting edge of the seam sealant cutting tool against the door edge and carefully trim the seam sealant from mark to mark. The cutting tool cuts in only one direction.

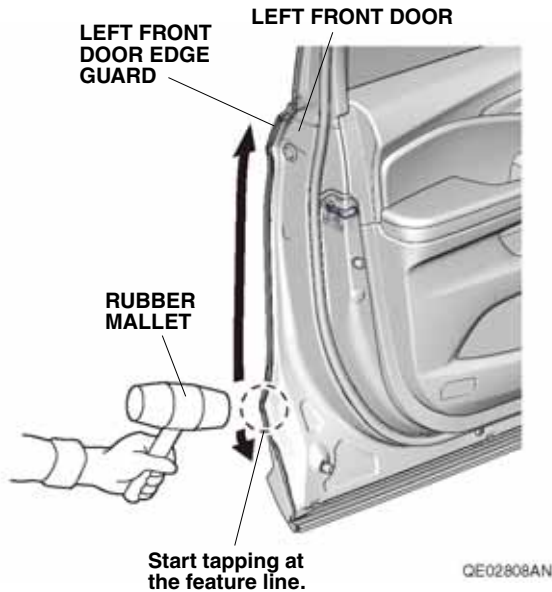


5. Apply touch-up paint to the cut seam sealant area and let it dry thoroughly.

6. Position the left front door edge guard on the left front door and line up the marks made in step 2.



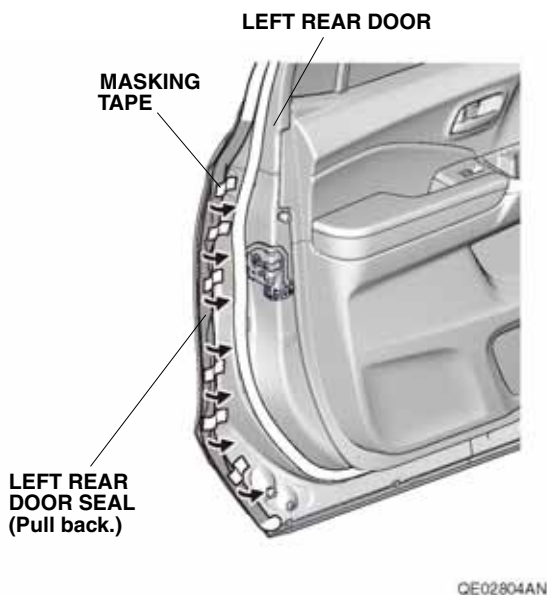
- Starting at the feature line, use a rubber mallet to tap the left front door edge guard into position with a series of light taps, then work up and down. Make sure the position of the left front door edge guard is correct.  
NOTE: Once in place, do not attempt to remove, reposition, or reinstall the left front door edge guard.



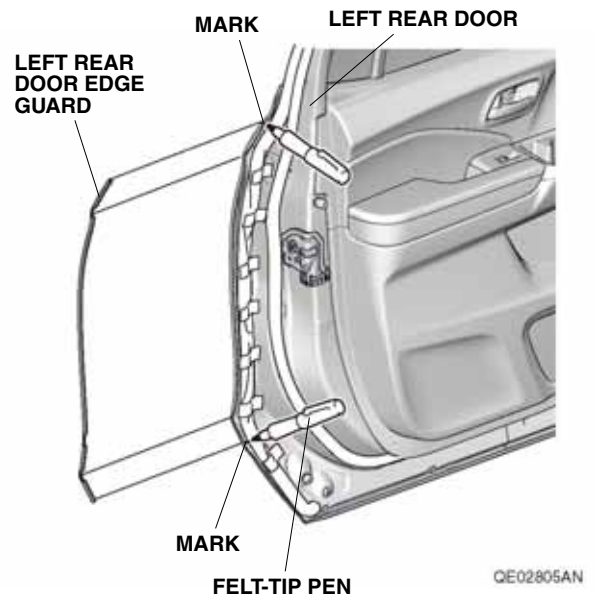
- Repeat steps 1 through 7 to install the right front door edge guard.

### Installing the Rear Door Edge Guards

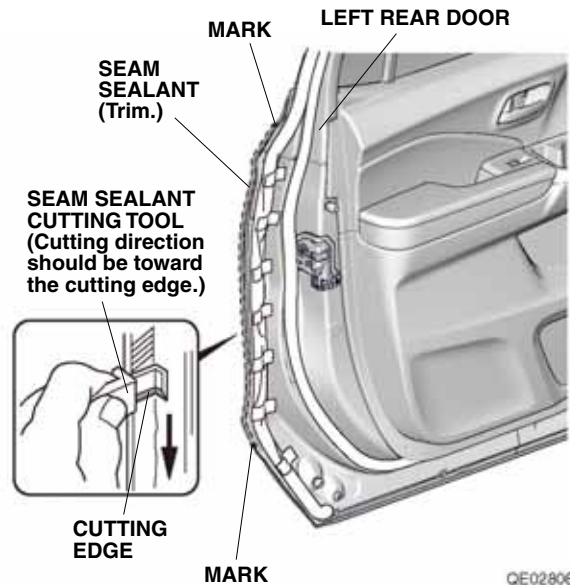
- Pull back the left rear door seal and secure it to the door panel with masking tape as shown.



- Gently place the left rear door edge guard on the left rear door as shown.

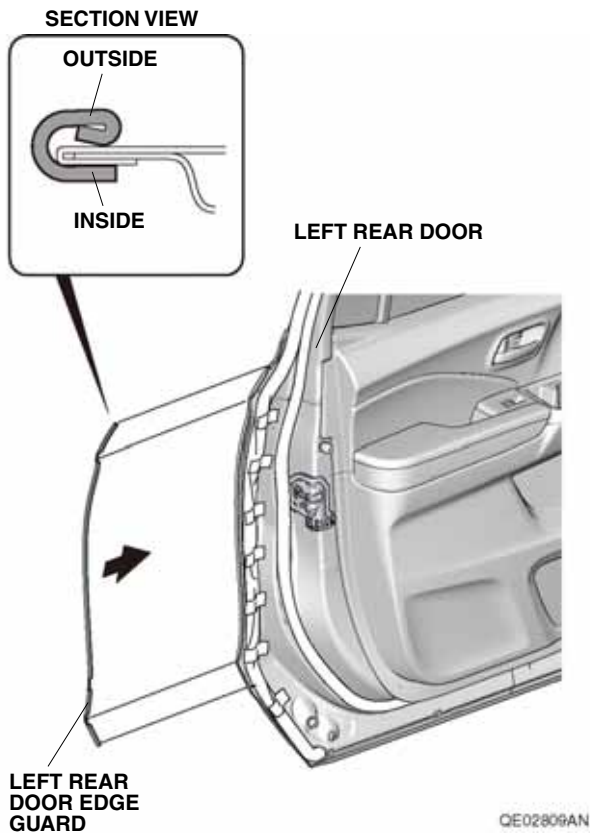


- Using a felt-tip pen, mark the sealant at the top and bottom ends of the left rear door edge guard.
- Remove the left rear door edge guard.
- Position the cutting edge of the seam sealant cutting tool against the door edge and carefully trim the seam sealant from mark to mark. The cutting tool cuts in only one direction.



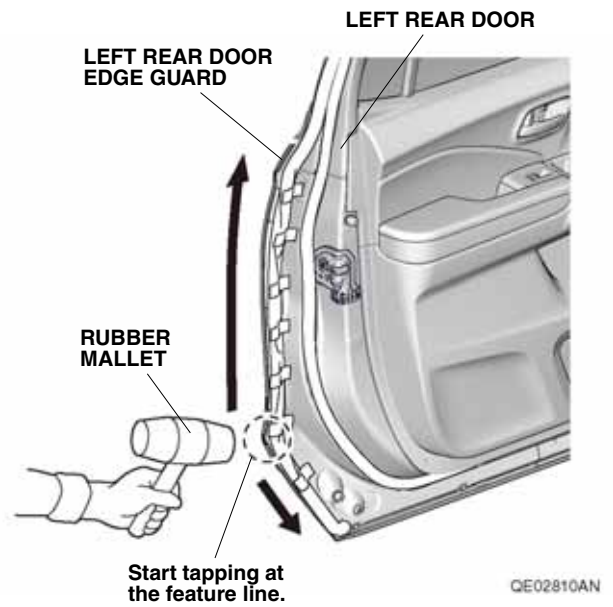
- Apply touch-up paint to the cut seam sealant area, and let it dry thoroughly.

15. Position the left rear door edge guard on the left rear door edge and line up the marks made in step 11.



16. Starting at the feature line, use a rubber mallet to tap the left rear door edge guard into position with a series of light taps, then work up and down. Make sure the position of the left rear door edge guard is correct.

NOTE: Once in place, do not attempt to remove, reposition, or reinstall the left rear door edge guard.



17. Remove the masking tape.
18. Repeat steps 9 through 17 to install the right rear door edge guard.