



# INSTALLATION INSTRUCTIONS

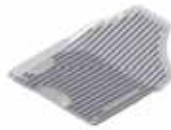
Accessory <b>ALL-SEASON FLOOR MATS</b> P/N 08P17-T6Z-100	Application <b>2017 RIDGELINE</b>	Publications No. <b>VERSION 1</b>
		Issue Date <b>MAY 2016</b>

## PARTS LIST

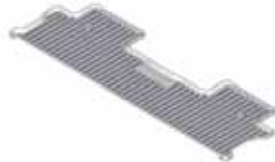
Driver's all-season floor mat



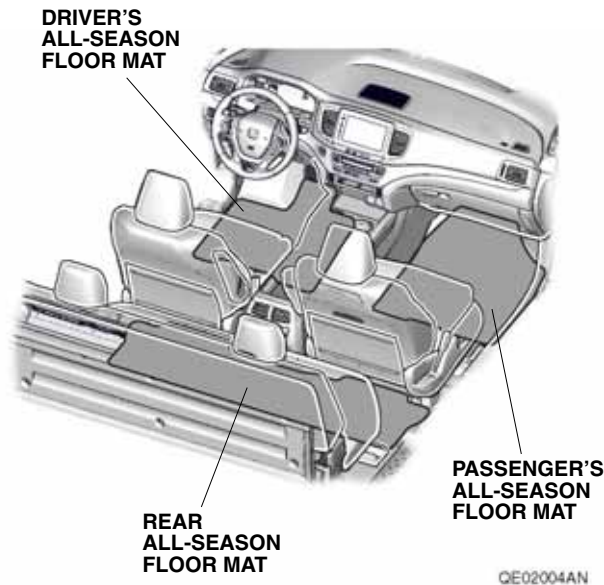
Passenger's all-season floor mat



Rear all-season floor mat



## Illustration of the All-Season Floor Mats in the Vehicle



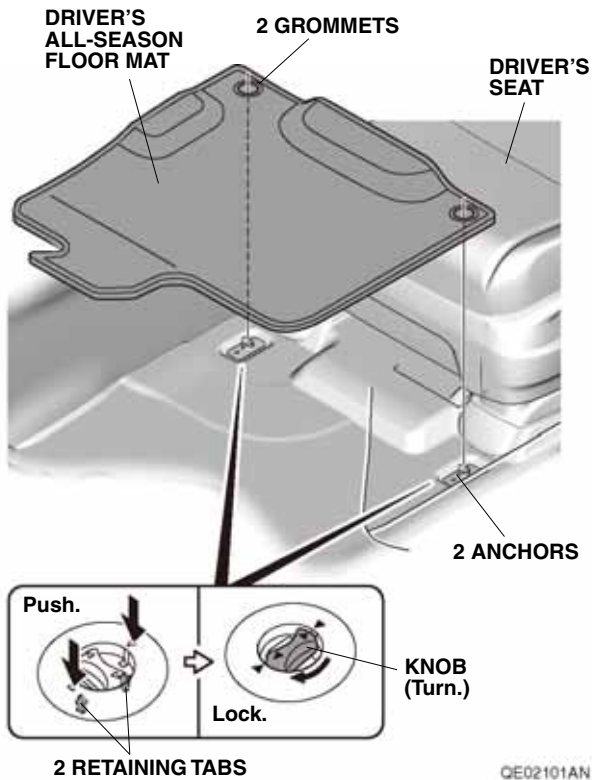
## INSTALLATION

### NOTE:

- Before installing the mats, identify their installation positions.
- Connect the mats to the anchors to prevent the mats from sliding forward and possibly interfering with the pedals.
- If you remove a mat, make sure you re-anchor it when you put it back in your vehicle.
- If you replace a mat, use a factory mat designed to be used with the anchors.
- If you use a non-factory mat in the driver's footwell, make sure it fits properly and that it can be used with the anchors.
- Do not put an additional mat on top of the anchored mat. An additional mat may slide forward and possibly interfere with the pedals.

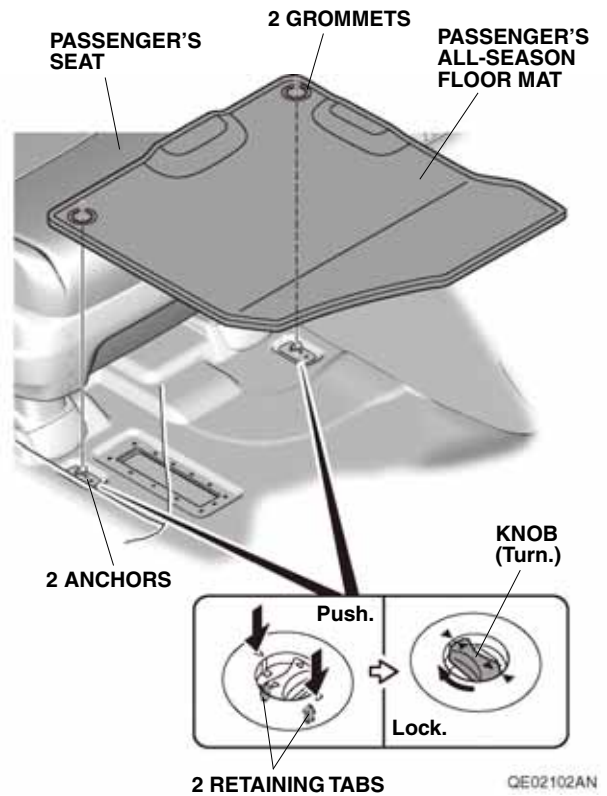
## Installing the All-Season Floor Mats

1. If equipped, remove the standard floor mats as described in the vehicle owners manual.



2. Place the grommets in the driver's all-season floor mat over the anchors. Push the grommets into the anchors to secure the retaining tabs, then turn the knobs 90° to secure the driver's all-season floor mat.

3. Place the grommets in the passenger's all-season floor mat over the anchors. Push the grommets into the anchors to secure the retaining tabs, then turn the knobs 90° to secure the passenger's all-season floor mat.



4. Place the grommets in the rear all-season floor mat over the anchors. Push the grommets into the anchors to secure the retaining tabs, then turn the knobs 90° to secure the rear all-season floor mat.

