



INSTALLATION INSTRUCTIONS

Accessory

**SNOWBOARD ATTACHMENT
P/N 08L03-E09-100B**

Application

2017 PILOT

Publications No.

VERSION 1

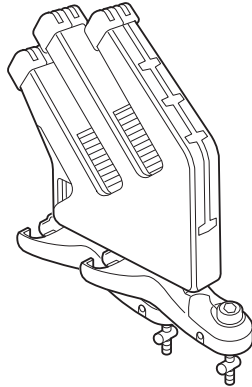
Issue Date

OCT 2016

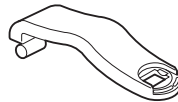
Put this information in the glove box with the vehicle owner's manual.

PARTS LIST

2 Snowboard carriers



4 Bottom clamps



16 Rubber blocks



4 Torx screws



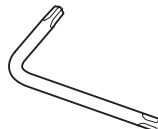
4 Board supports



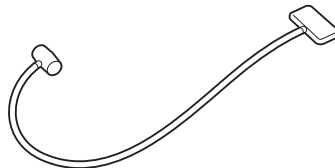
2 Keys



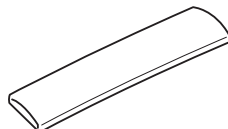
Torx wrench



2 Locking cables



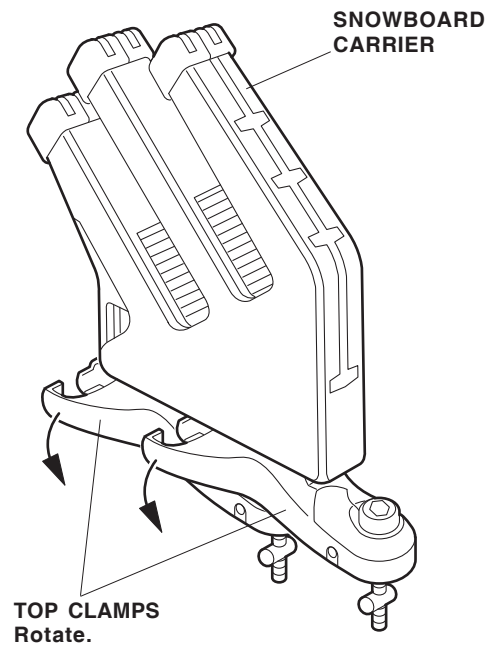
2 Board protectors



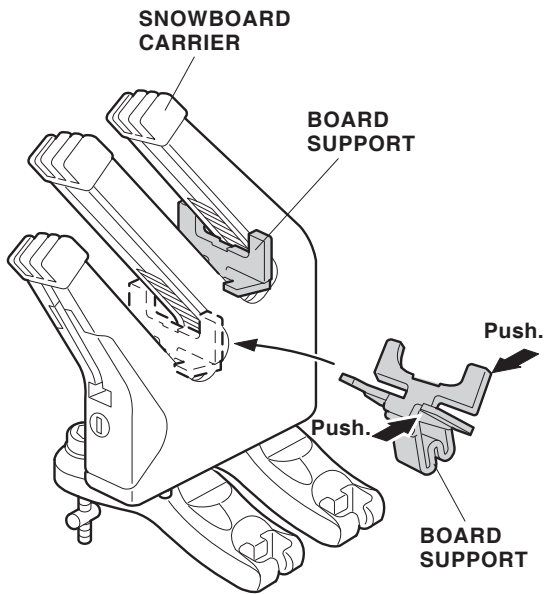
INSTALLATION

NOTE: Be careful not to damage the paint finish.

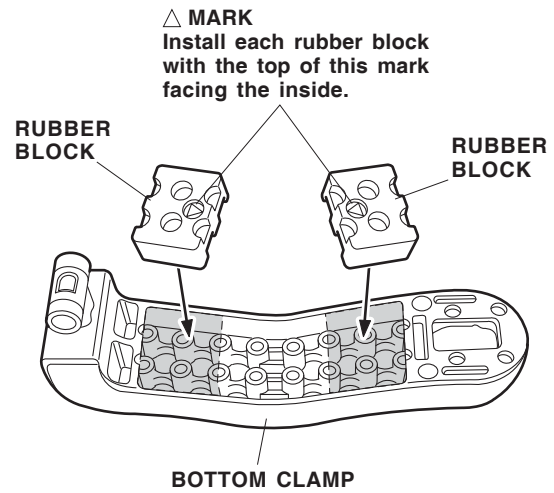
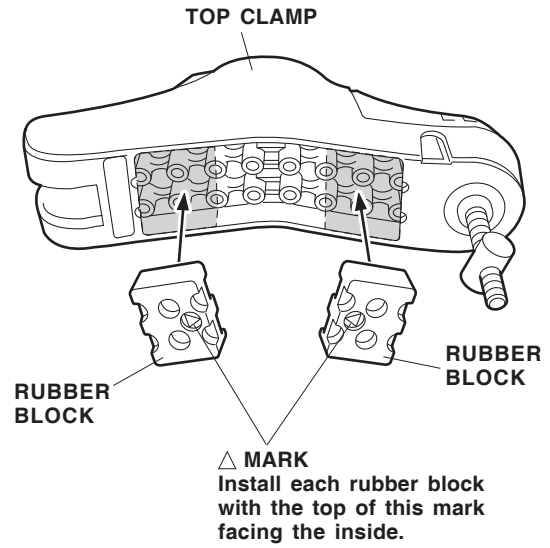
1. Rotate the two top clamps perpendicular to the snowboard carrier.



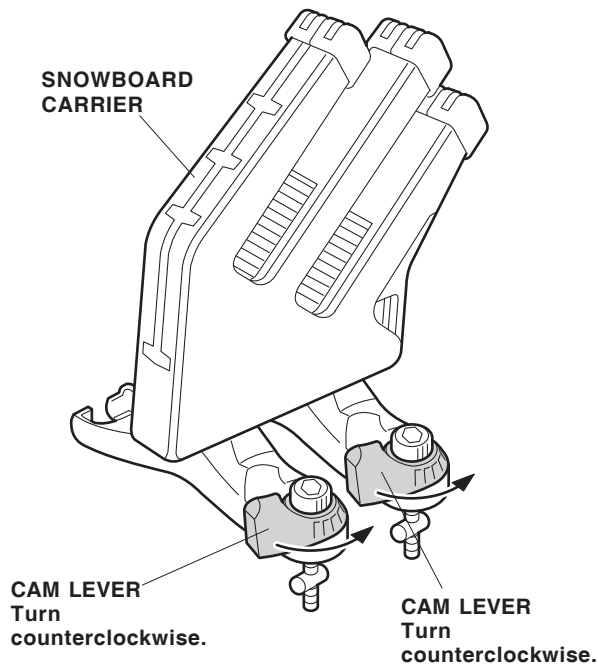
2. Install two board supports on the snowboard carrier.



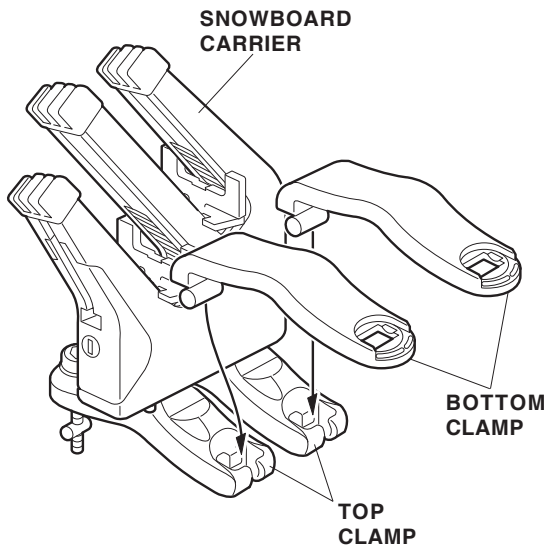
3. Install four rubber blocks on the top and bottom clamps. Install the rubber blocks with the top of each triangular mark "△" facing the inside.



- Turn the cam levers on the top clamp counterclockwise.

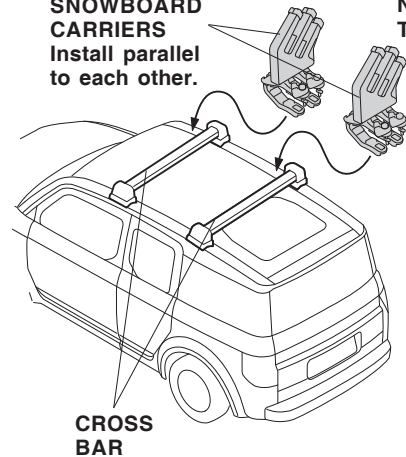
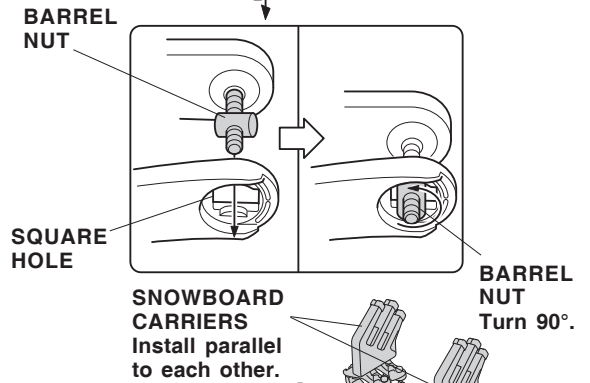
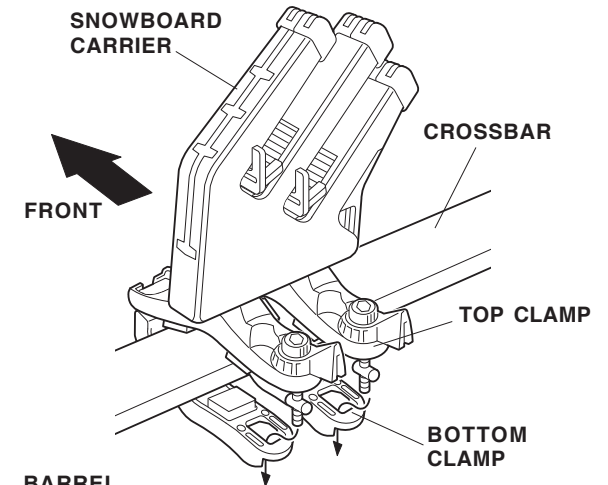


- Attach the two bottom clamps to the two top clamps.

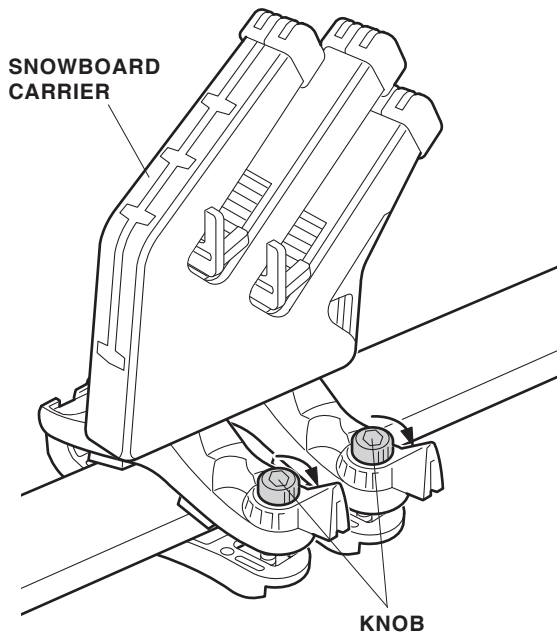


- Repeat steps 1 thru 5 to assemble the other carrier.

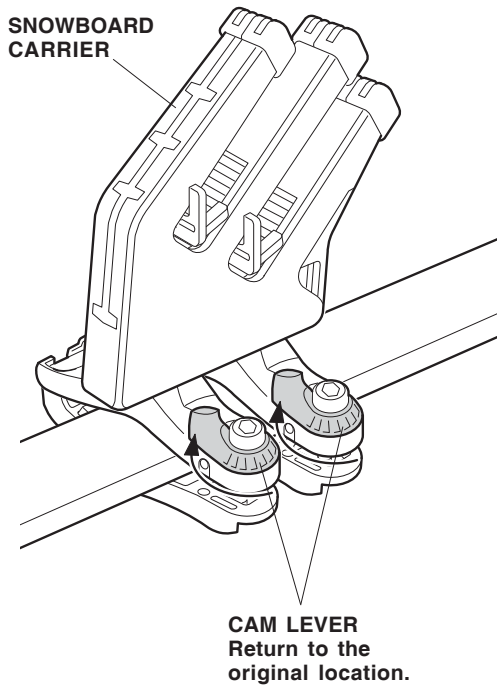
- Attach one carrier to the front crossbar in the direction shown. Insert the barrel nuts on the top clamp into the square holes in the bottom clamp, and turn the nuts 90° to lock them into position. Install the other carrier to the rear crossbar.



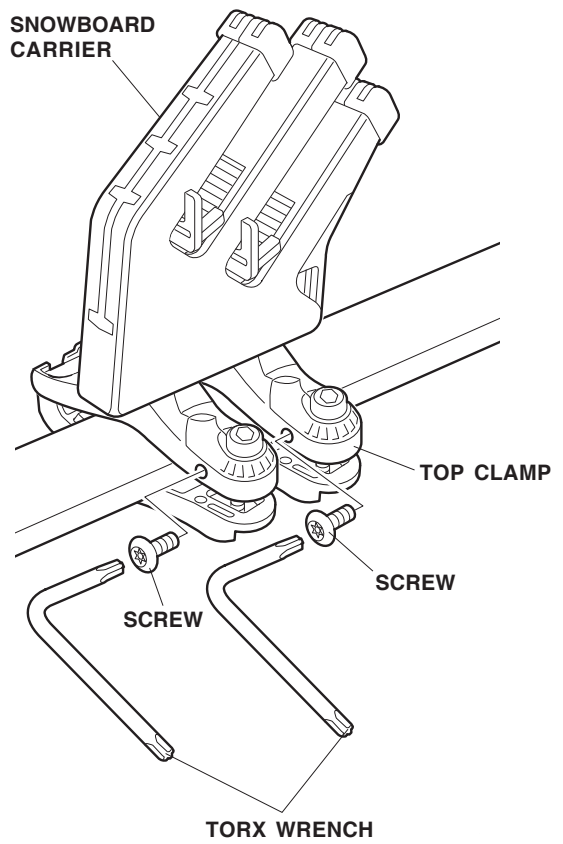
8. Turn the knobs on the top clamp to tighten the front carrier.



9. Return the cam levers to the original location (turn clockwise).

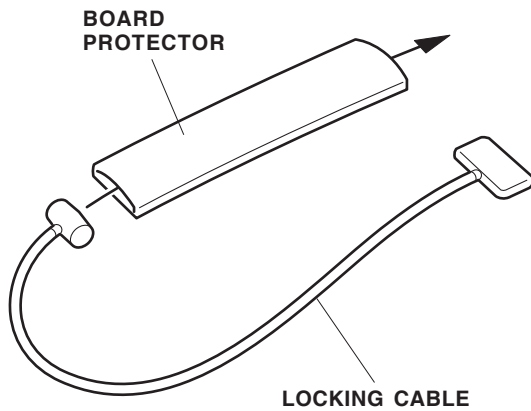


10. To prevent theft, install the screws in the holes in the top clamps.

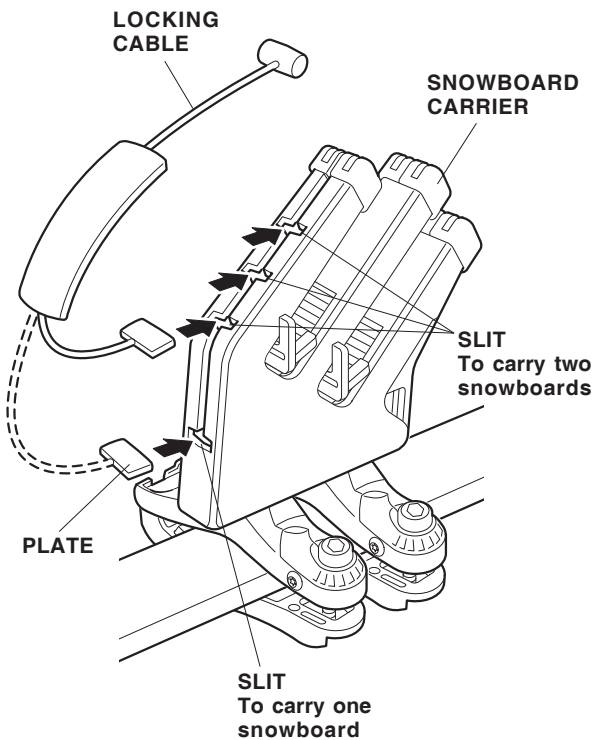


11. Repeat steps 8 thru 10 to tighten the other carrier.
12. Try to rock the carriers to make sure they are securely installed.

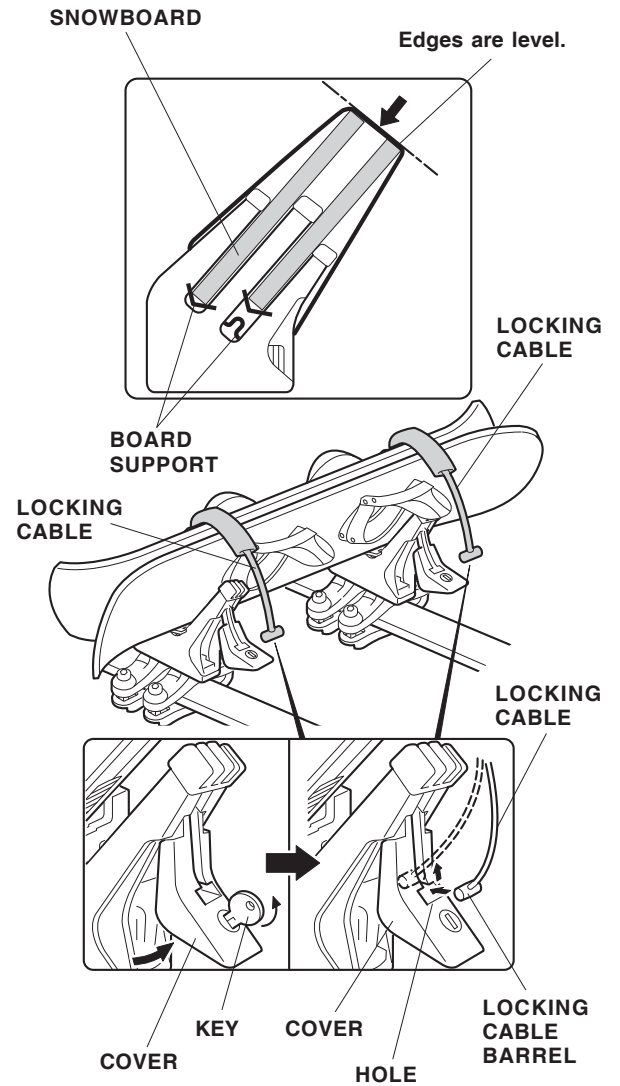
13. Thread the locking cable through the board protector.



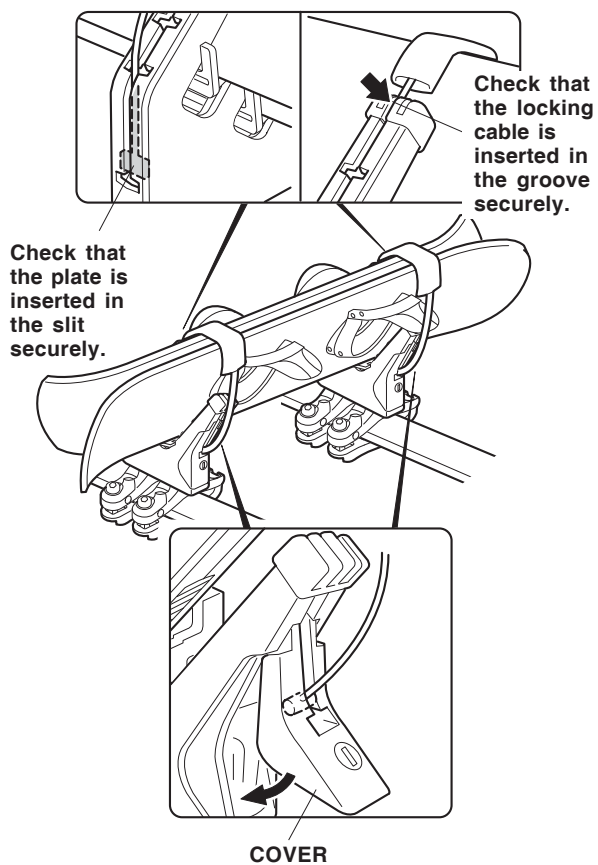
14. Insert the locking cable plate into the slit in each snowboard carrier. To carry one snowboard, insert the plate into the lowest slit. To carry two snowboards, use one of the upper three slits in the carrier.



15. After loading the snowboards on the carrier, adjust them with the help of the board supports so that the top edges are level and the boards are as far down in the carrier as possible. To secure the snowboards, use the key to open the covers, then insert the locking cable barrels into the holes in the carrier covers.



16. Check that the locking cables are installed securely, then close the covers.



17. Make sure the cover is locked during transportation.

