



# INSTALLATION INSTRUCTIONS

Accessory  
**FRONT LOWER TRIM**  
P/N 08P46-TG7-100A

Application  
**2017 PILOT**

Publications No.  
**VERSION 1**  
Issue Date  
**OCT 2016**

## PARTS LIST

Front lower Trim



## TOOLS AND SUPPLIES REQUIRED

Phillips screwdriver  
Flat-tip screwdriver  
Ratchet  
10 mm Socket  
10 mm Open end wrench  
Masking tape  
Blanket  
Shop towel  
Pliers

*The following tool is available through the Honda Tool and Equipment Program. On the iN, click on: Service > Service Bay > Tool and Equipment Program, then enter the number under "Search". Or, call 888-424-6857.*

- Trim Tool Set (T/N SOJATP2014)
- Plastic Trim Tool (T/N SILTRIMTL10)

### Illustration of the Front Lower Trim on the Vehicle



**FRONT LOWER TRIM**

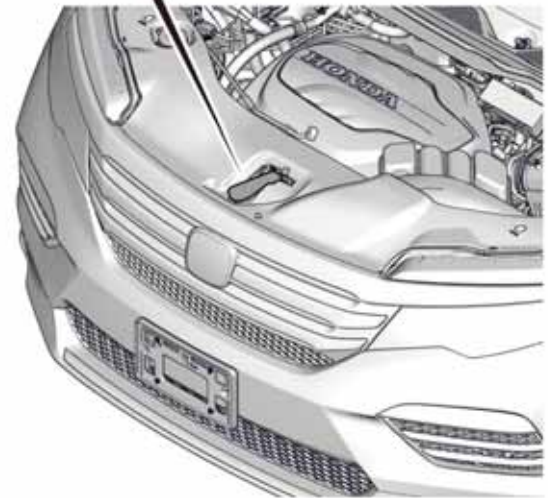
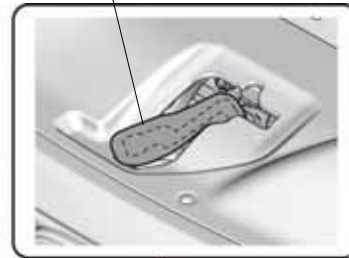
QDD1113AG

## INSTALLATION

**Customer Information:** The information in this installation instruction is intended for use only by skilled technicians who have the proper tools, equipment, and training to correctly and safely add equipment to your vehicle. These procedures should not be attempted by "do-it-yourselfers."

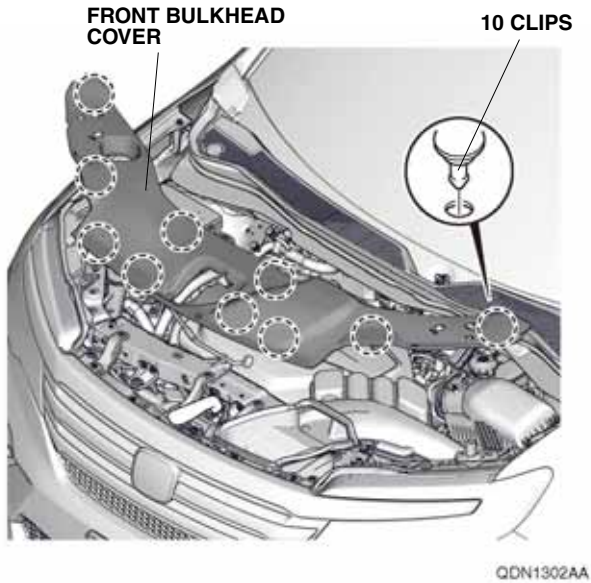
1. Wrap a shop towel around the hood latch:

**HOOD LATCH**  
(Wrap with a shop towel.)

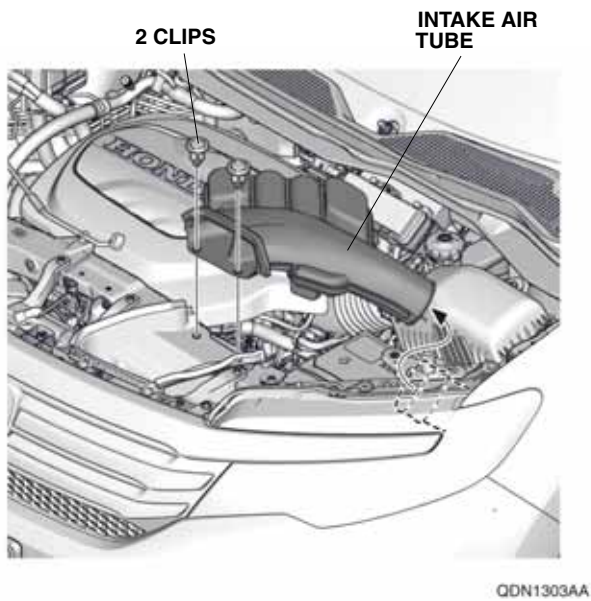


QDN1301AA

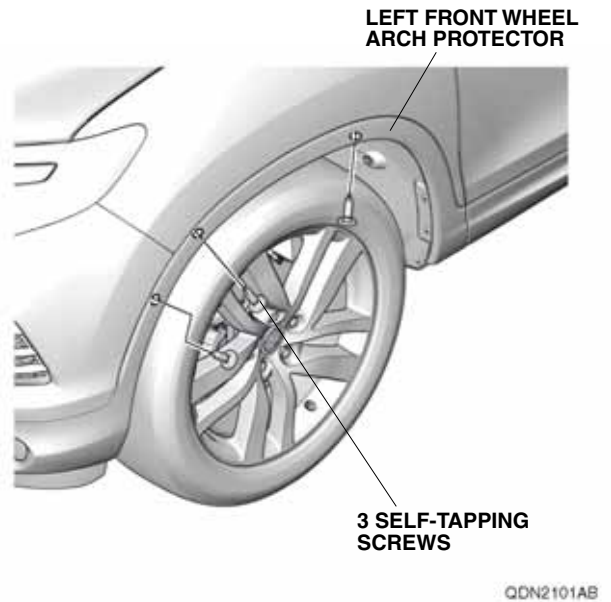
- Remove the front bulkhead cover.



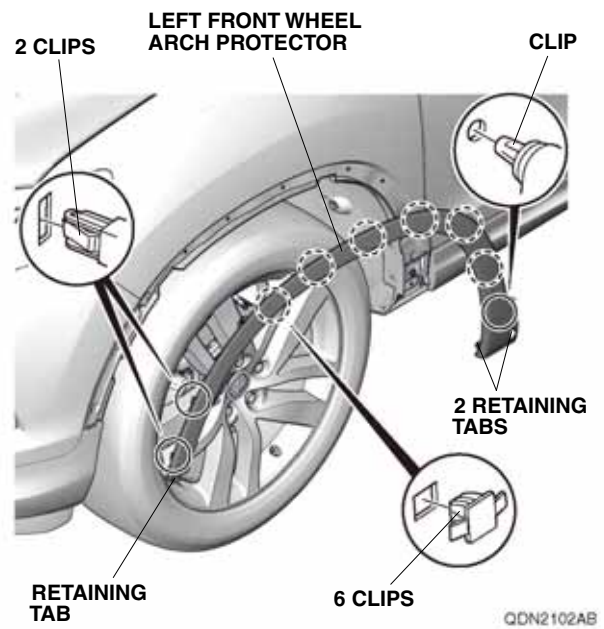
- Remove the intake air tube.
- Disconnect the negative cable from the battery, then wait at least 3 minutes before starting work.



- Remove the three self-tapping screws from the left front wheel arch protector.

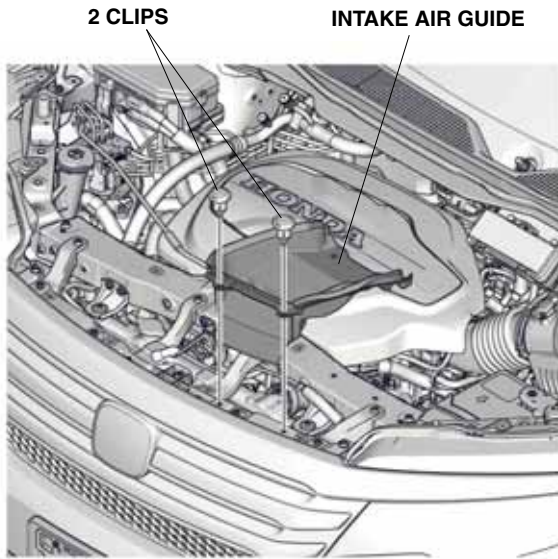


- Remove the left front wheel arch protector.



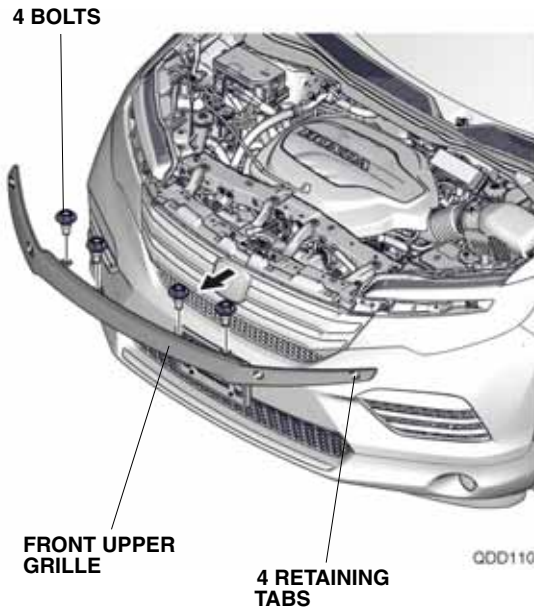
- Repeat steps 2 and 3 on the right side of the vehicle.

5. Remove the front bumper:
- Remove the intake air guide.



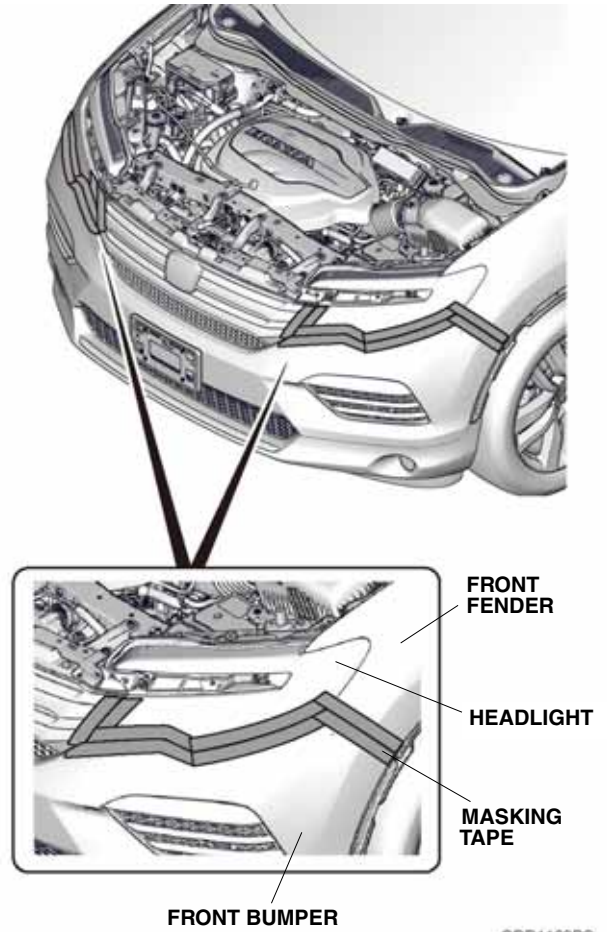
QDN2104BB

- Remove the front upper grille.



QDD1102BG

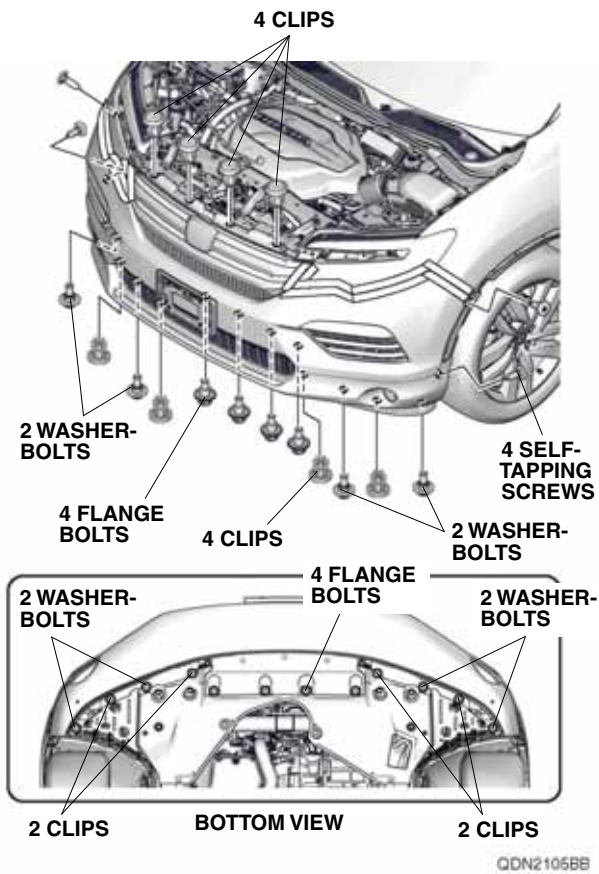
- Attach the masking tape to the areas shown on each side.



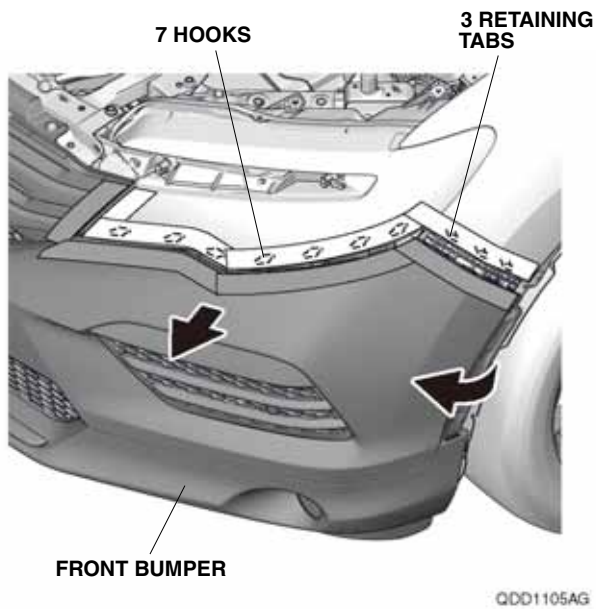
QDD1103BG



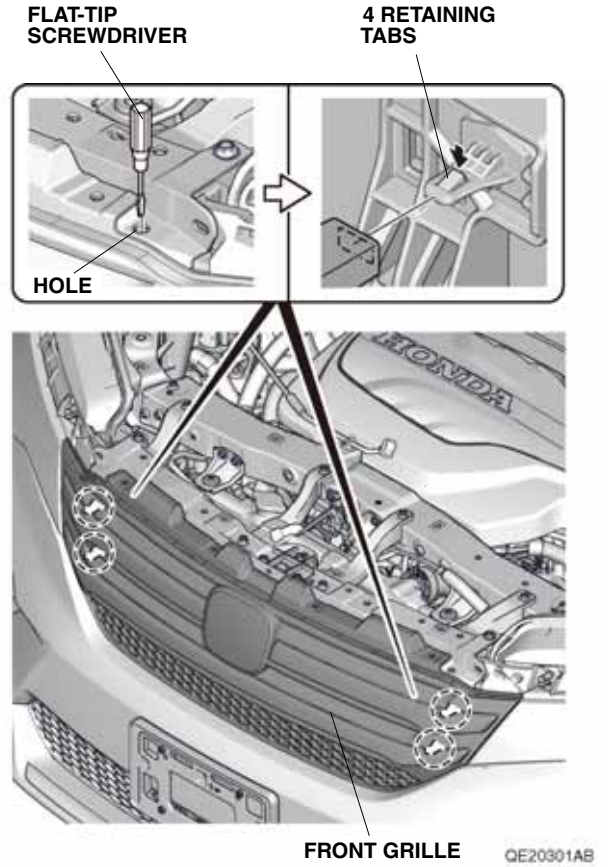
- Remove four self-tapping screws, eight clips, four washer-bolts, and four flange bolts.



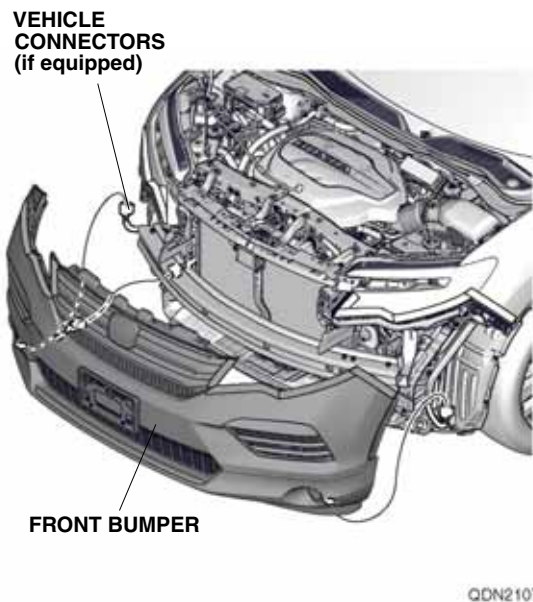
- With the help of an assistant, release three retaining tabs and seven hooks on each side.



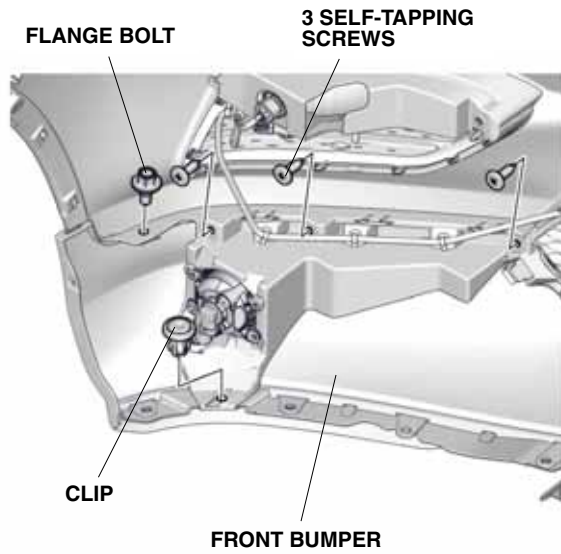
- Release the front grille.



- With the help of an assistant, remove the front bumper and unplug the vehicle connectors.
- Place the front bumper on a blanket to prevent damage.

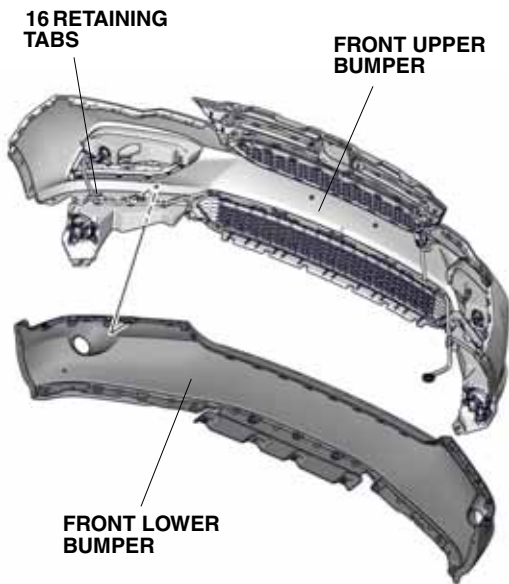


- Remove one flange bolt, one clip, and three self-tapping screws on each side of the front bumper.



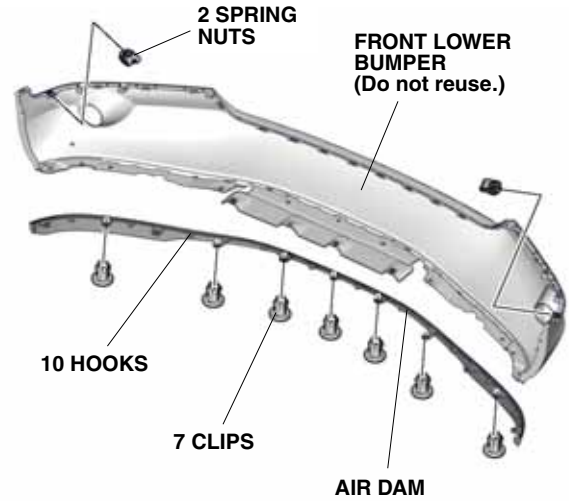
QDD1107AG

- With the help of an assistant, remove the front lower bumper.



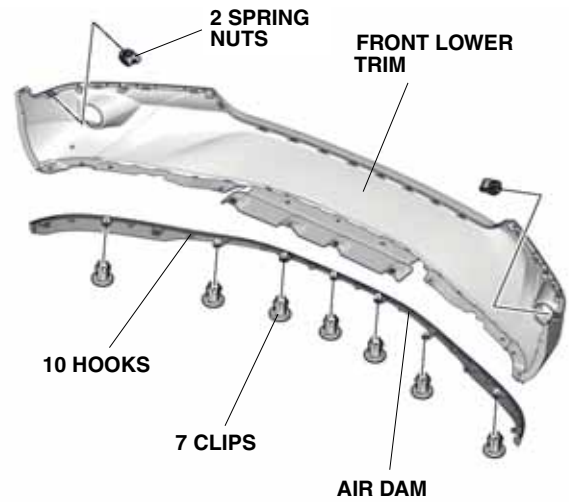
QDD1108AG

- Remove the air dam.



QDD1109BG

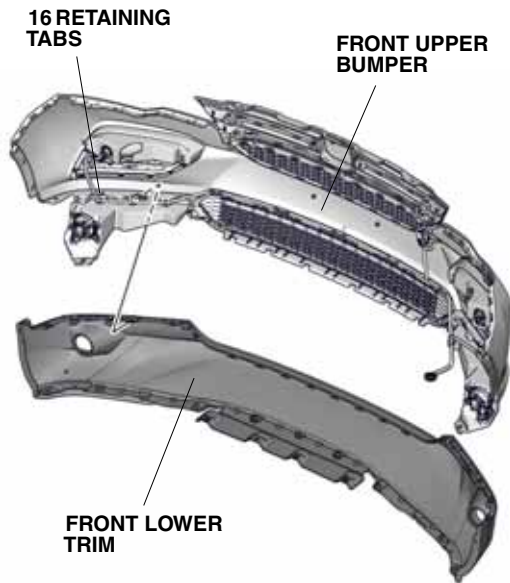
- Remove the two spring nuts.
- Install the air dam to the front lower trim with seven clips and ten hooks.



QDD1110BG

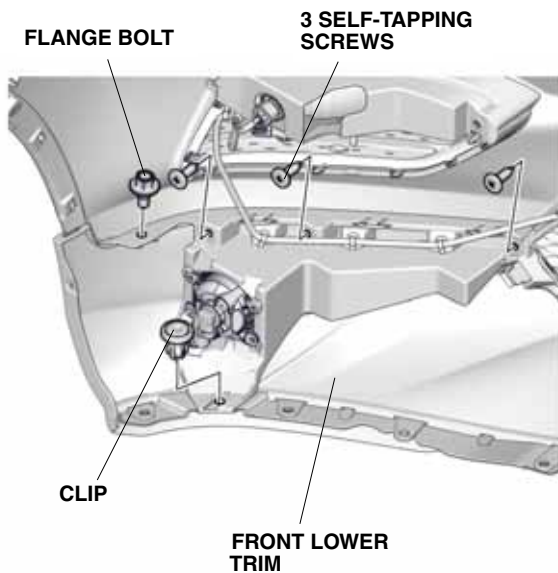
- Install the two spring nuts removed in step 9 to the front lower trim.

12. With the help of an assistant, install the front upper bumper to the front lower trim with sixteen retaining tabs.



QDD1111BG

13. Secure the front upper bumper to the front lower trim with one flange bolt, one clip, and three self-tapping screws on each side.



QDD1112AG

14. With the help of an assistant, reinstall the front bumper.
15. Install all removed parts except for the front bulkhead cover and the intake air tube.
16. Check that all wire harnesses are routed properly and all connectors are plugged in.
17. Connect the negative cable to the battery.
18. Install the front bulkhead cover and the intake air tube.
19. Press and hold the audio unit power button for two seconds to restore the audio and navi (if equipped) system functions.
20. Set the clock on vehicle without navigation.
21. If necessary, restore the systems back to normal operation as described in the service information.