



# INSTALLATION INSTRUCTIONS

Accessory  
**DOOR MIRROR COVERS**  
P/N 08R06-TG7-100

Application  
**2017 PILOT**

Publications No.  
**VERSION 1**  
Issue Date  
**OCT 2016**

## PARTS LIST

Left door mirror cover



Right door mirror cover



## TOOLS AND SUPPLIES REQUIRED

- 10 mm Open end wrench
- Needle nose pliers
- Ratchet
- T-15 TORX bit
- Tape
- Shop towel

*The following tool is available through the Honda Tool and Equipment Program. On the iN, click on: Service > Service Bay > Tool and Equipment Program, then enter the number under "Search." Or, call 888-424-6857.*

- Trim Tool Set (T/N SOJATP2014)

### Illustration of the Door Mirror Covers on the Vehicle

RIGHT DOOR MIRROR COVER



LEFT DOOR MIRROR COVER

QE31406AG

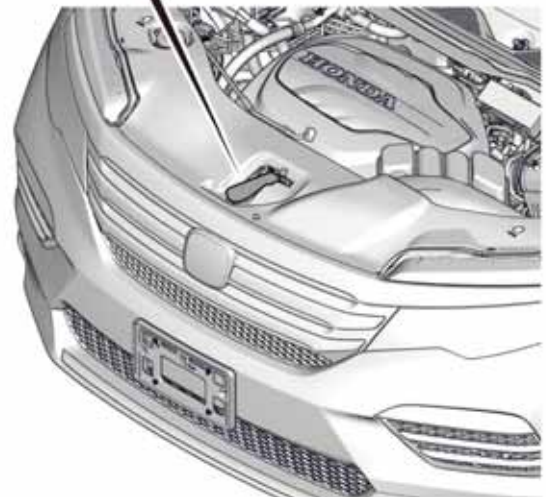
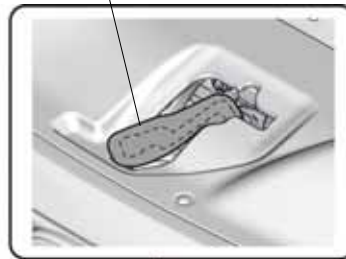
## INSTALLATION

**Customer Information:** The information in this installation instruction is intended for use only by skilled technicians who have the proper tools, equipment, and training to correctly and safely add equipment to your vehicle. These procedures should not be attempted by "do-it-yourselfers."

### NOTE:

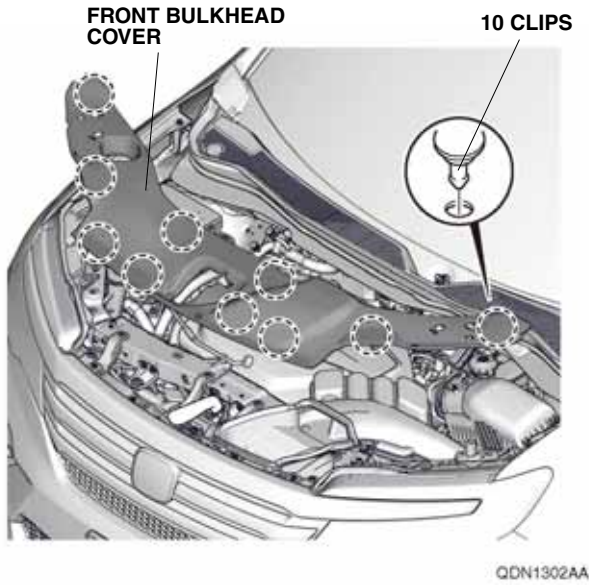
- Be careful not to damage the vehicle.
1. Wrap a shop towel around the hood latch

HOOD LATCH  
(Wrap with a shop towel.)

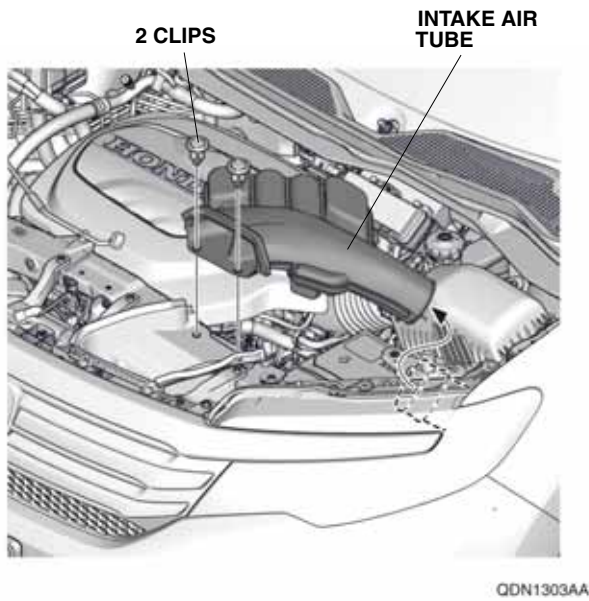


QDN1301AA

- Remove the front bulkhead cover.



- Remove the intake air tube.

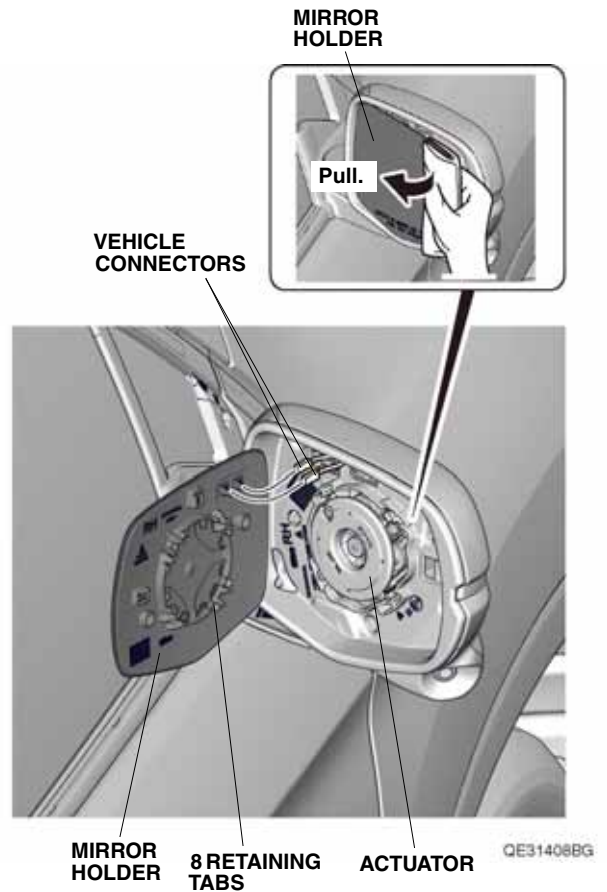


- Disconnect the negative cable from the battery, then wait at least 3 minutes before starting work.

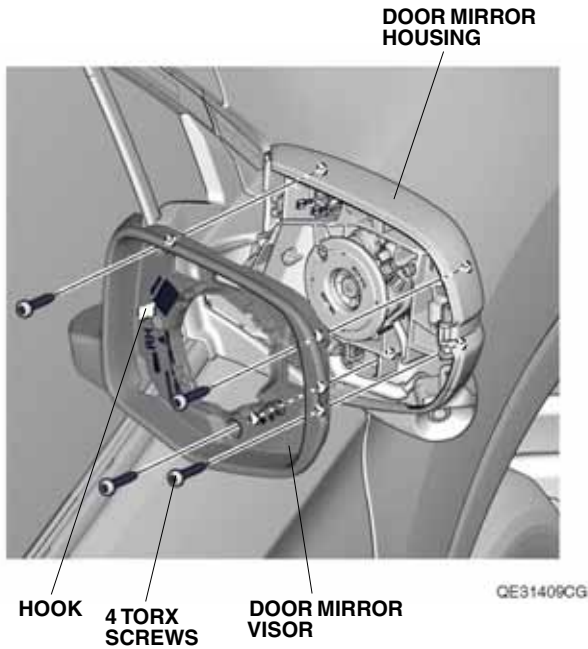
- Insert the shop towel between the mirror holder and the door mirror visor to protect the vehicle as shown.



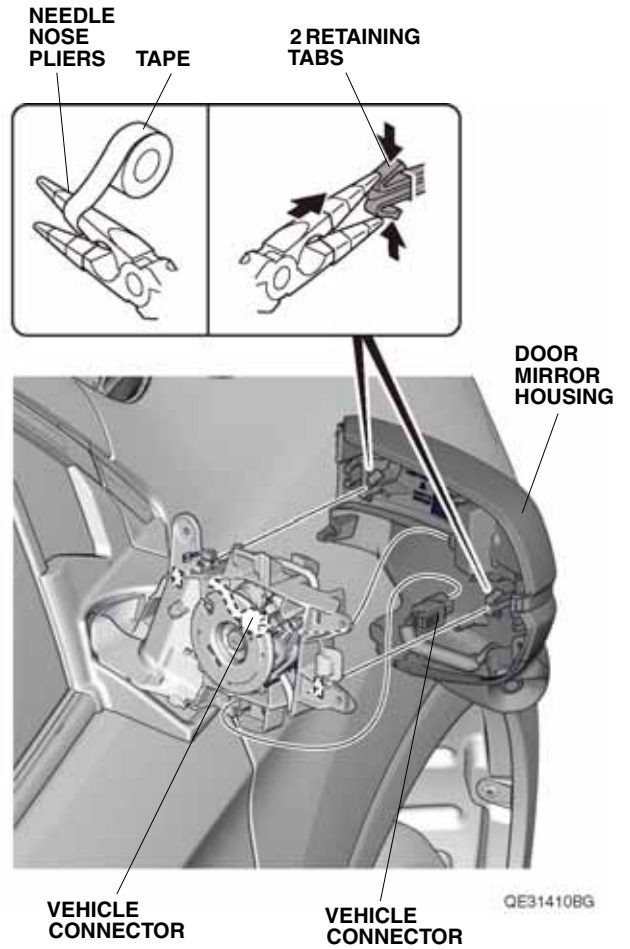
- Remove the mirror holder, and unplug the vehicle connectors.



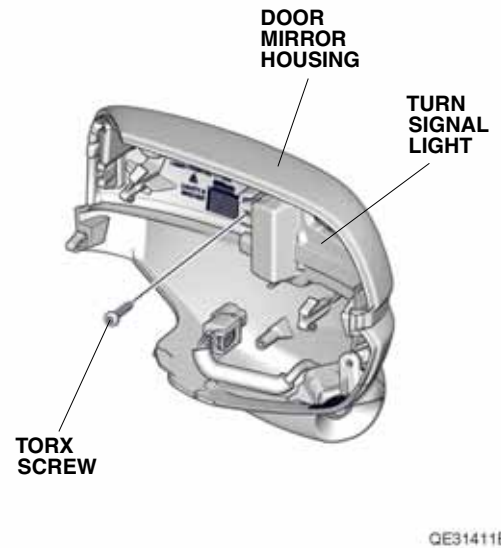
4. Remove the door mirror visor.



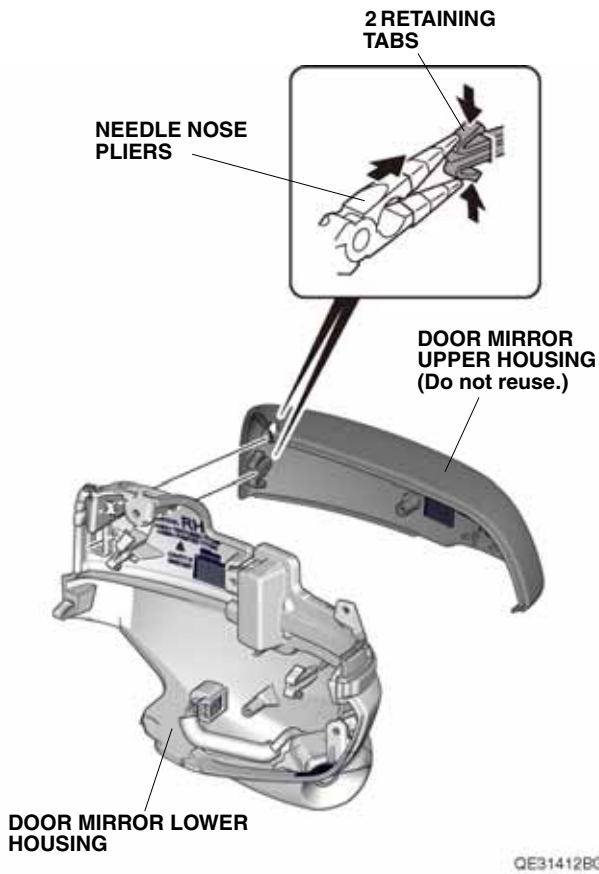
5. Using needle nose pliers wrapped with tape, remove the door mirror housing, and unplug the vehicle connectors.



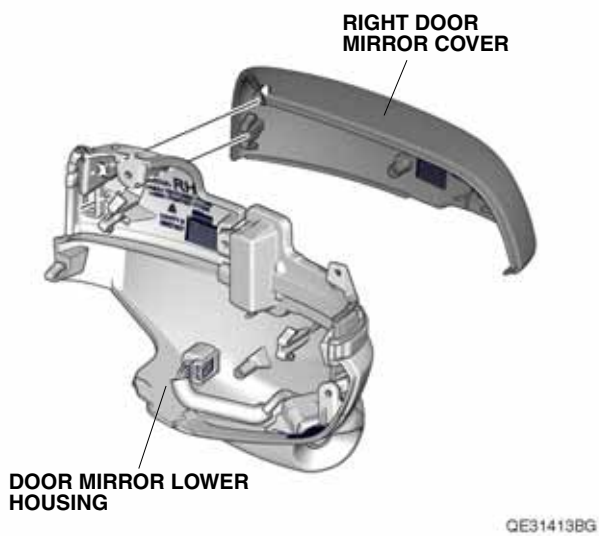
6. Remove the TORX screw from the turn signal light.



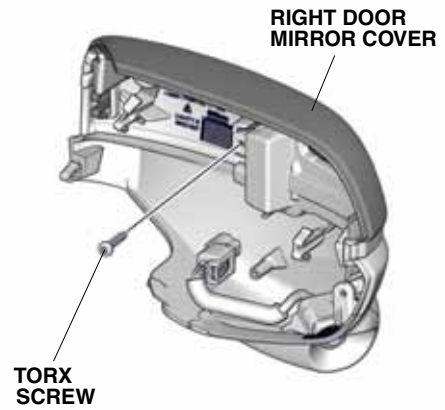
- Using the needle nose pliers, remove the door mirror upper housing.



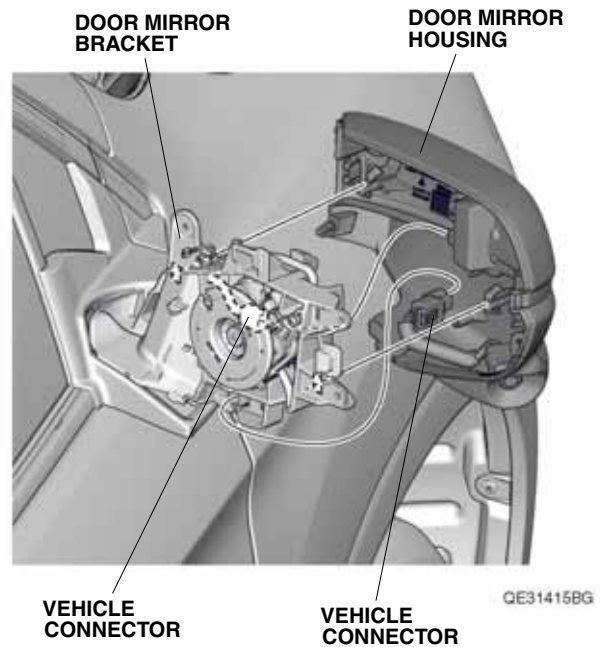
- Install the right door mirror cover on the door mirror lower housing.



- Secure the right door mirror cover with the TORX screw removed in step 6.



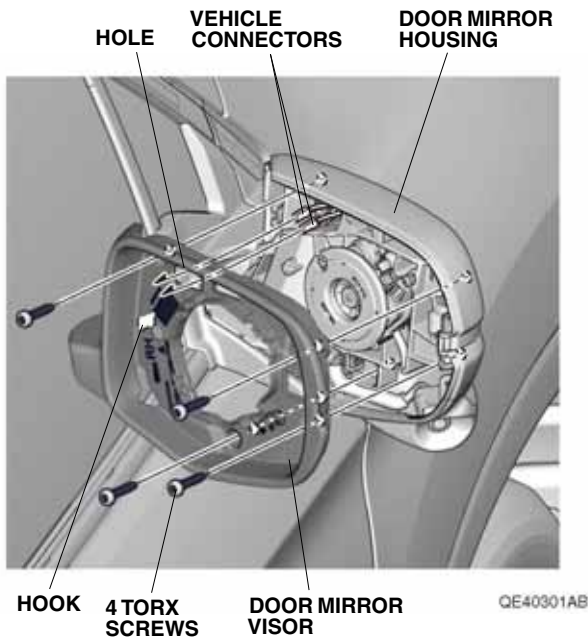
- Plug in the vehicle connectors.



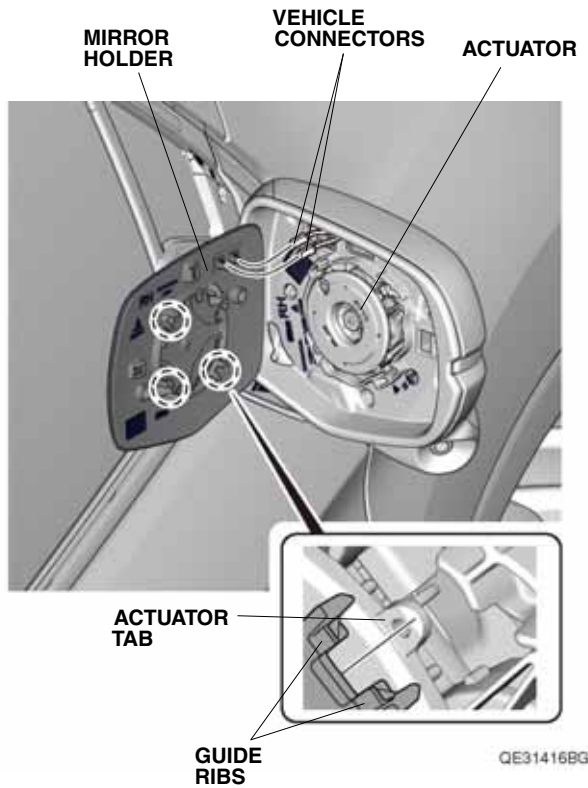
- Install the door mirror housing on the door mirror bracket.



12. Install the door mirror visor with the TORX screws removed in step 4 and one hook.

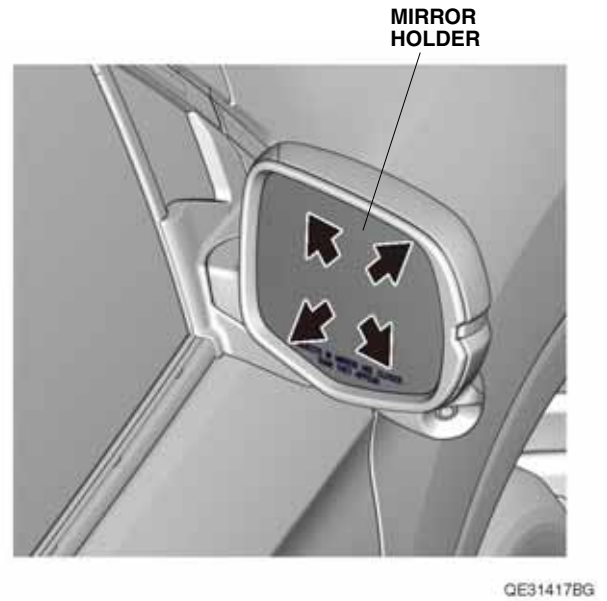


13. Plug the vehicle connectors into the mirror holder.



14. Align the guide ribs on the mirror holder so they line up on each side with the actuator tabs. Reinstall the mirror holder on the actuator.

15. Move the mirror holder in all directions to confirm it is installed securely.



16. Repeat steps 2 through 15 to install the left door mirror cover.
17. Connect the negative cable to the battery.
18. Install the front bulkhead cover and the intake air tube.
19. Press and hold the audio unit power button for 2 seconds to restore the audio and navi (if equipped) system functions.
20. Set the clock on vehicles without navigation.
21. If necessary, restore the systems back to normal operation as described in the service information.