



# INSTALLATION INSTRUCTIONS

Accessory  
**BICYCLE ATTACHMENT (ROOF)**  
P/N 08L07-E09-100

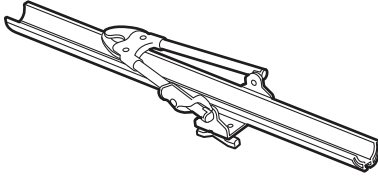
Application  
**2017 PILOT**

Publications No.  
**VERSION 1**

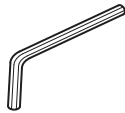
Issue Date  
**OCT 2016**

## PARTS LIST

Bicycle attachment



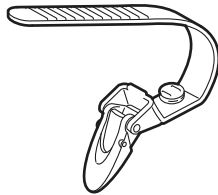
Hex wrench



2 Keys



2 Wheel straps



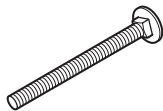
2 Tire adapters



2 End caps



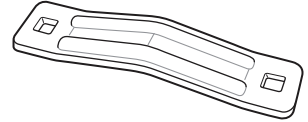
4 Bolts



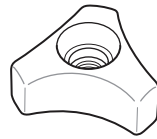
6 Washers



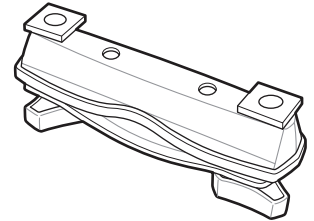
2 Brackets



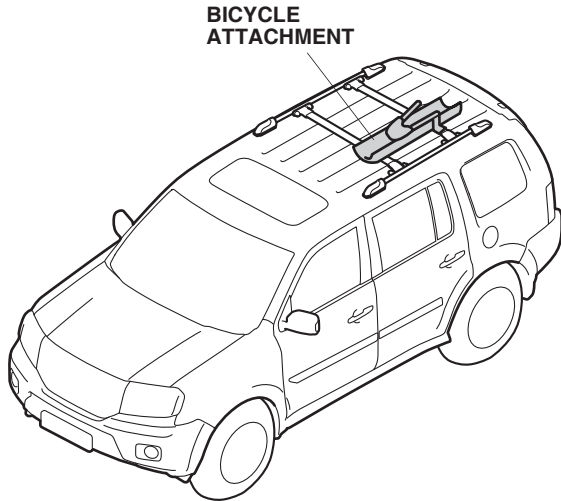
4 Knobs



1 Rear Bracket Assy



## Illustration of the Bicycle Attachment on the Vehicle



## INSTALLATION

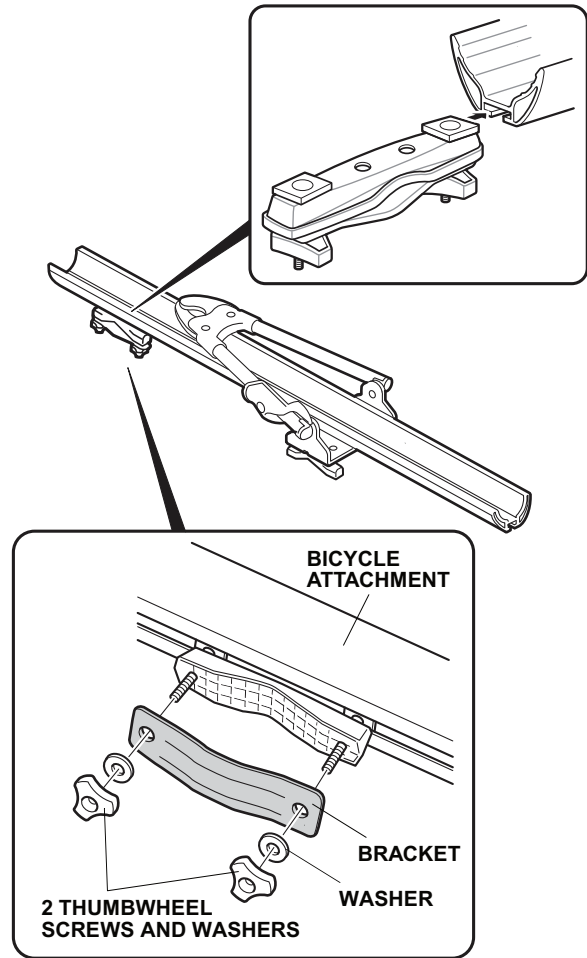
**Customer Information:** The information in this installation instruction is intended for use only by skilled technicians who have the proper tools, equipment, and training to correctly and safely add equipment to your vehicle. These procedures should not be attempted by “do-it-yourselfers.”

### NOTE:

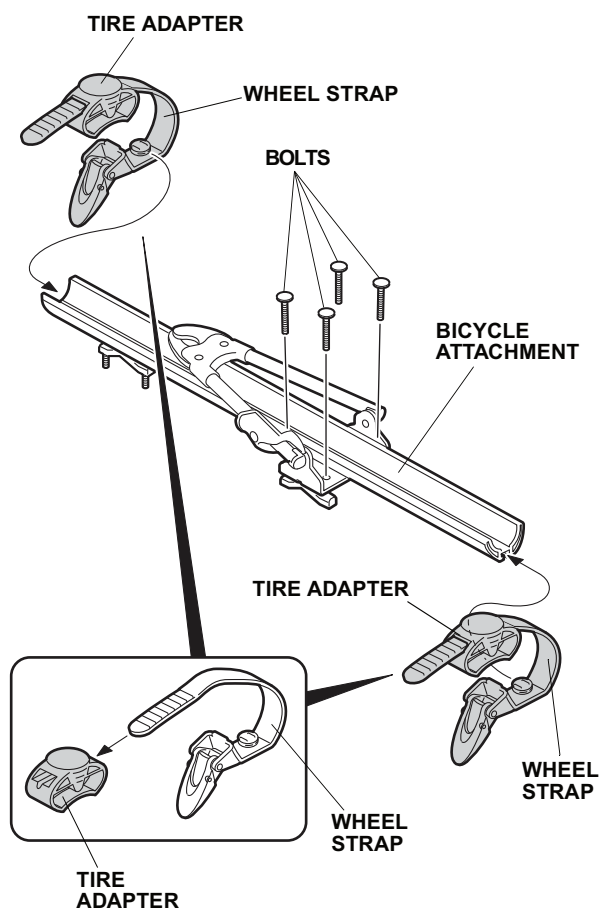
- This bicycle attachment is designed to be used exclusively with the crossbars, which are sold separately.
- Do not use non-Honda accessories, carriers or attachment sets with this bicycle attachment kit.
- Install the bicycle attachment after installing the crossbars on the roof rack.
- Do not damage the roof and other finished surfaces of the body when installing this bicycle attachment.
- If you are installing more than one bicycle attachment, you may need to alternate the mounting positions (front to rear) to allow for handle bar clearance.
- Make sure the tire adapters and the locking clamp lever are installed on the outboard side. See the instruction sheet for details.

## Installing the Bicycle Attachment

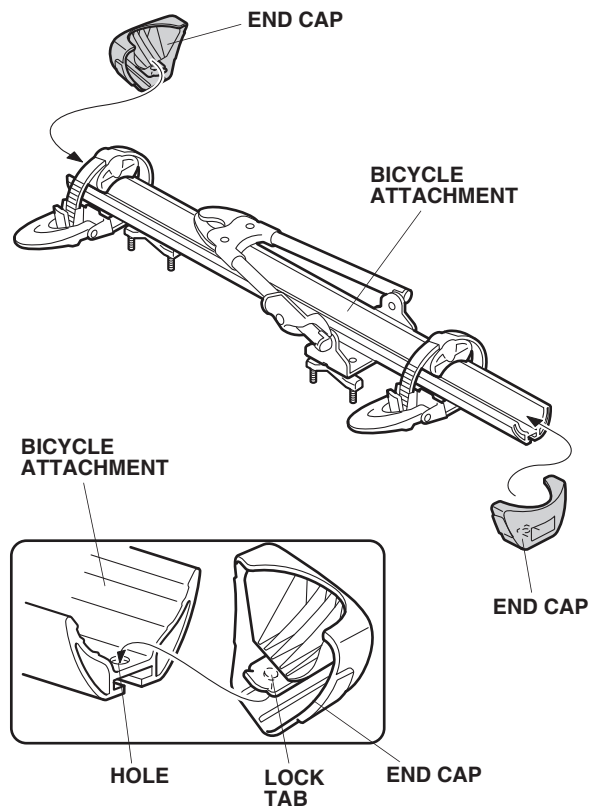
1. Remove the two thumbwheel screws, washers, and bracket. Slide the rear bracket assembly onto the bicycle attachment.



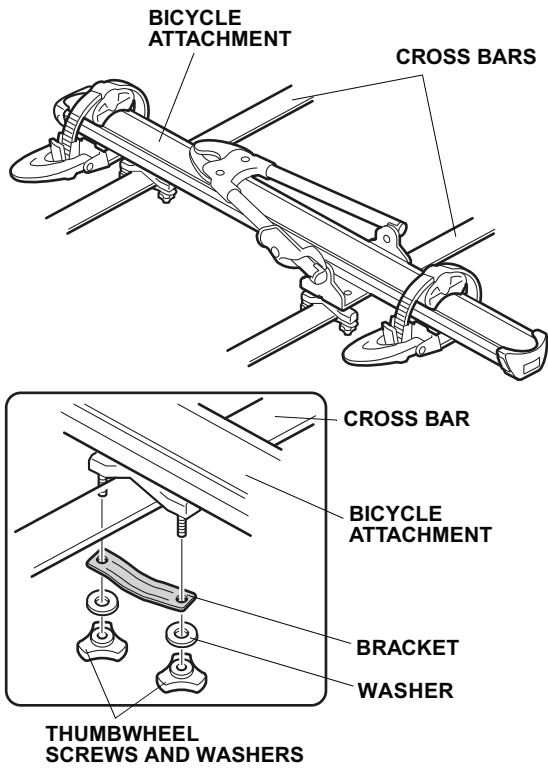
2. Insert the wheel strap into the tire adapter, then slide the wheel strap onto the end of the bicycle attachment. Repeat this on the other end of the attachment. Make sure that both wheel strap buckles are facing the same direction. Insert the four bolts into the front plate.



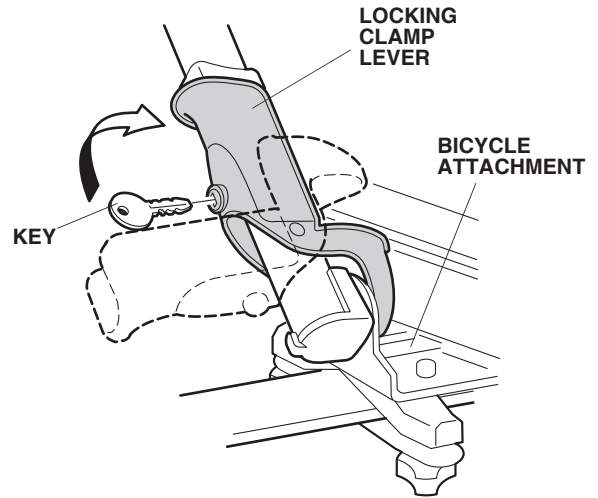
3. Install the end caps onto the bicycle attachment by aligning the lock tab on the end cap with the hole in the bicycle attachment. Push on the end cap until the lock tab “clicks” into place.



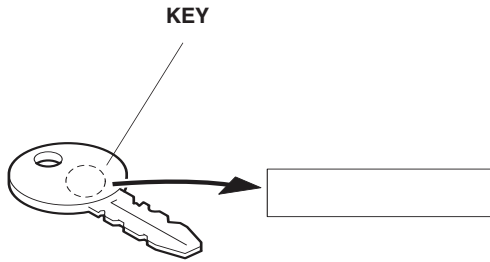
4. Install the bicycle attachment to the crossbar with two thumbwheel screws and one bracket. Repeat this to install brackets at the other two positions on the bicycle attachment.



5. Close the locking clamp lever. To deter theft of the bicycle attachment, lock the locking clamp lever with the key.



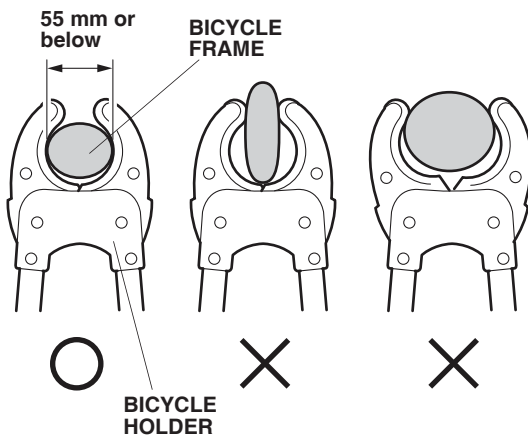
6. Write down the key number in case the key is lost or stolen.



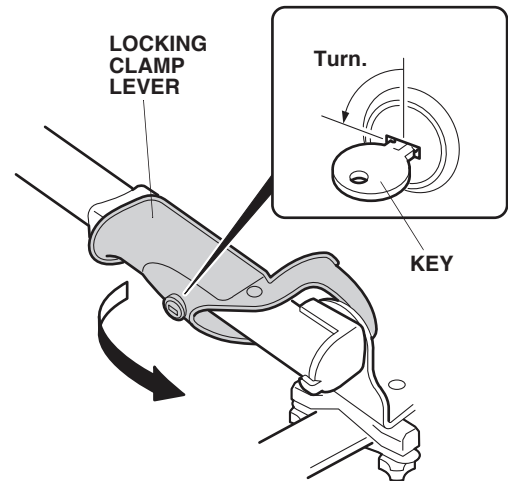
7. Store the key in the glove box for future use.

### How to Install the Bicycle on the Bicycle Attachment

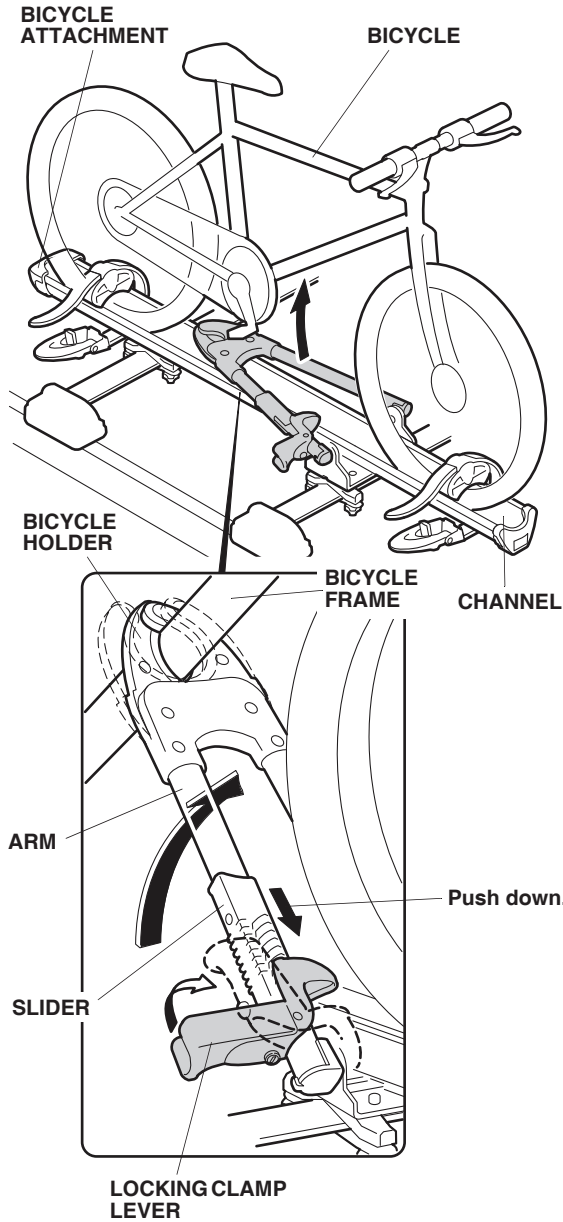
8. Do not carry a bicycle with this bicycle attachment if the diameter of its frame exceeds 55 mm or if its sectional view is not circular in the area where it is held by the bicycle holder.



9. Release the locking clamp lever with the key and pull the locking clamp lever down.

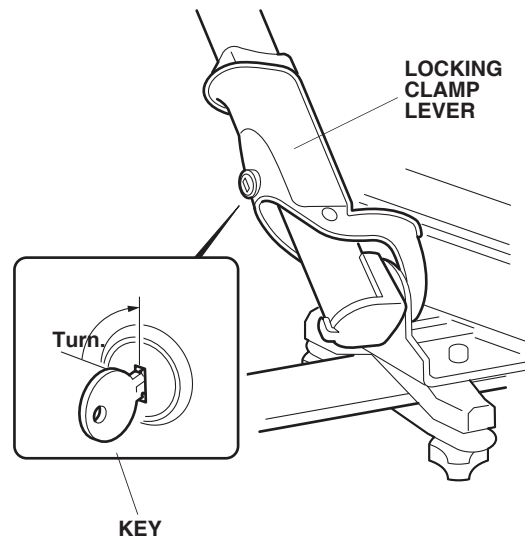


- Position the bicycle on the channel. Lift the arm up, and clamp the holder around the bicycle's frame by pushing down the slider.

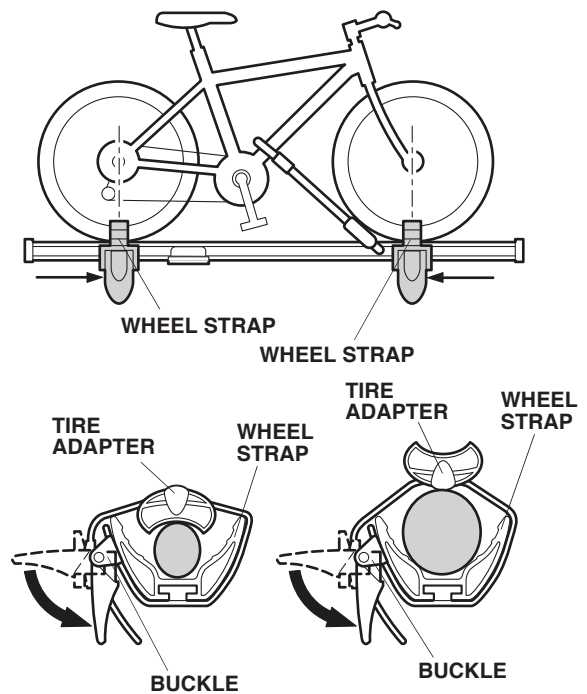


- Push up the locking clamp lever to secure the bicycle frame.

- Lock the locking clamp lever by inserting the key into the key cylinder and turning it in a clockwise direction.



- Position the wheel straps at the centers of the bicycle's wheels, then secure the wheels with the wheel straps by inserting the belts through the buckles and locking the buckles in the direction shown. If the size of the bicycle tire is too big to be secured by the belts, reinstall the tire adapters upside down on the belts as shown. Make sure the buckles are latched securely.



## **USE AND CARE**

- Addition of the bicycle attachment on the vehicle raises the overall height of the vehicle. Pay attention to overhead obstacles when driving with the bicycle attachment.
- Before and after driving, or after loading the bicycle on the attachment, check the security of the attachment mounts and retighten them as necessary.

## **PRECAUTION**

- Avoid sudden starts or stops with the attachment on the vehicle. It may cause bolts and other fasteners to loosen.
- Obey local laws and regulations.
- Before driving, check that the attachment is locked securely regardless of whether or not a bicycle is mounted on the attachment.
- Do not use the bicycle attachment with vehicles other than those specified.