



INSTALLATION INSTRUCTIONS

Accessory
SOFT CARGO BAG
P/N 08L20-E09-100

Application
2017 ODYSSEY

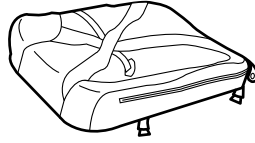
Publications No.
VERSION 1

Issue Date
DEC 2016

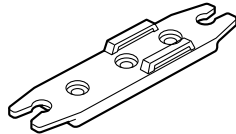
Put this information in the glove box with the vehicle owner's manual.

PARTS LIST

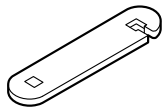
Soft cargo bag



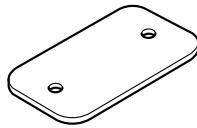
4 Brackets A



4 Brackets B



4 Plates A



8 Knobs



8 Bolts



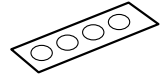
8 Washers



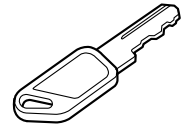
2 Straps



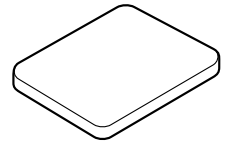
Seals



2 Keys



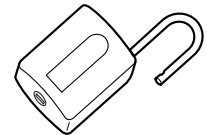
4 Large pads



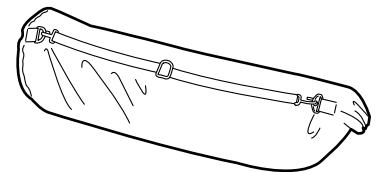
4 Small pads



Lock



Storage bag



TOOLS AND SUPPLIES REQUIRED

Isopropyl alcohol

Shop towel

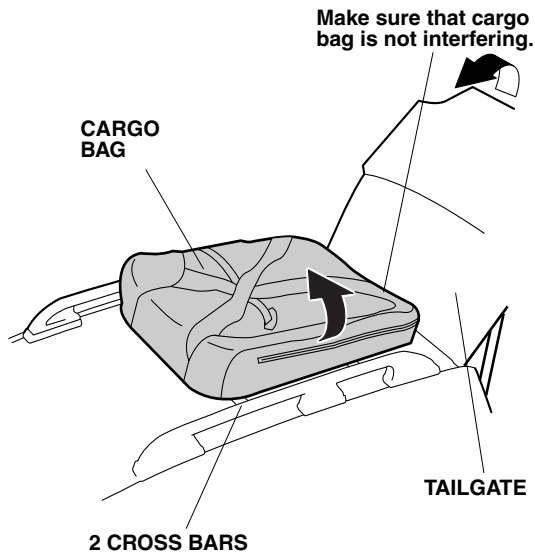
INSTALLATION

Customer Information: The information in this installation instruction is intended for use only by skilled technicians who have the proper tools, equipment, and training to correctly and safely add equipment to your vehicle. These procedures should not be attempted by “do-it-yourselfers.”

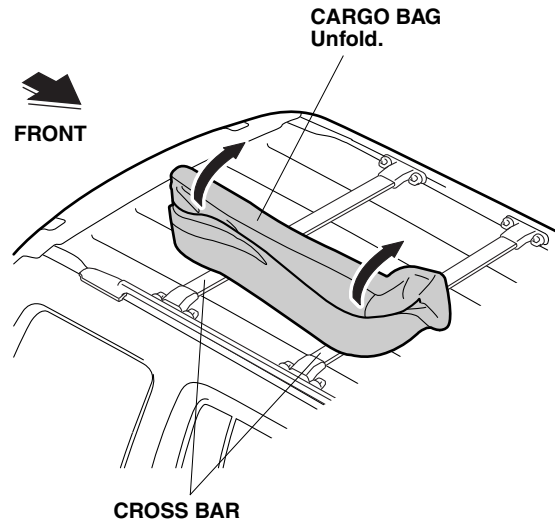
NOTE:

- This soft cargo bag is designed to be used exclusively with the cross bars that are sold separately.
- Do not use non-Honda accessories, carriers or attachment sets with this cargo bag kit.
- Install the cargo bag after installing the cross bars on the roof.
- Do not damage the finished surfaces of the body when installing the cargo bag.
- The maximum load capacity for the cargo bag is 50 kg (110 lbs).
- The maximum load capacity for the cargo racks varies from model to model. Check the vehicle owner’s manual, the roof rack installation instruction, or the load label on the rack for the roof rack load capacity.

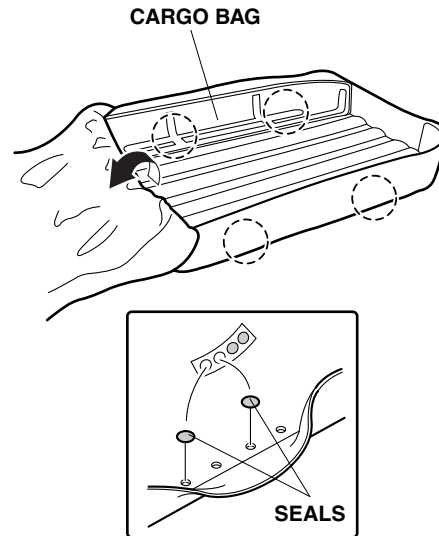
1. Set the cargo bag on the cross bars. Open the tailgate to make sure that the cargo bag is not interfering with the tailgate.



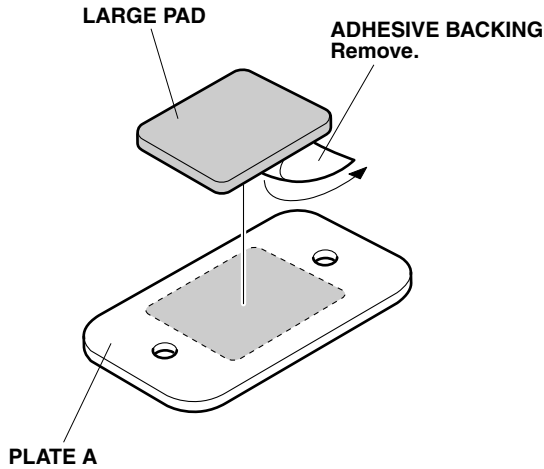
2. With the help from an assistant, carefully unfold the cargo bag on the cross bars.



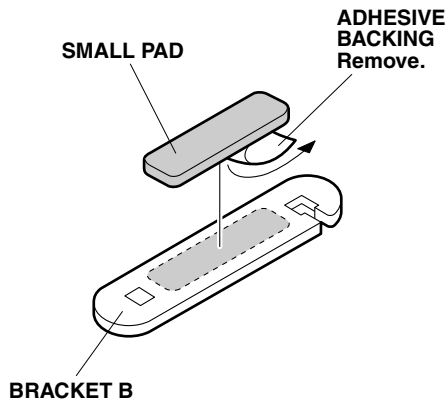
3. Attach the seals over the unused mounting holes on the cargo bag as shown.



- Using isopropyl alcohol on a shop towel, thoroughly clean the four plates A where the large pad will attach.

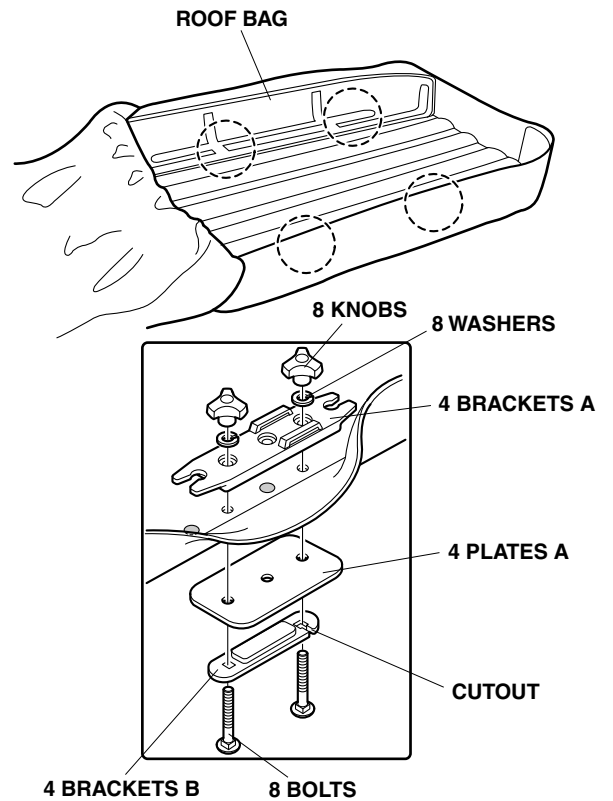


- Remove the adhesive backing from the large pads and attach them to the plates A.
- Using isopropyl alcohol on a shop towel, thoroughly clean the four brackets B where the small pads will attach.



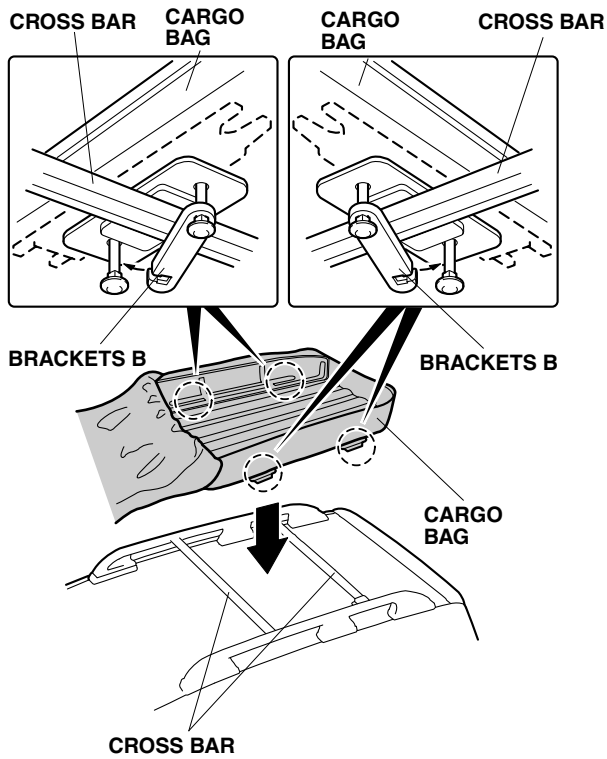
- Remove the adhesive backing from the small pads and attach them to the brackets B.

- Position brackets A with the strap eyelets directly across from each other.

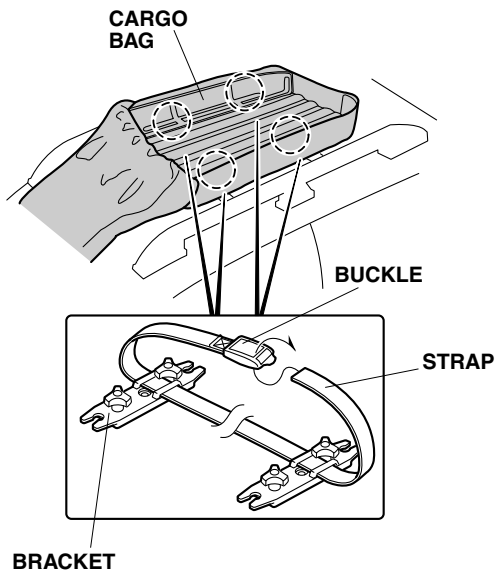


- Loosely install a bracket A, a plate A, and a bracket B to the cargo bag with two bolts, two washers, and two knobs at each location shown. Be sure the cutout on bracket B is facing the outboard side of the vehicle. Make sure the pads on plate A and bracket B are facing each other.

- With the help of an assistant, carefully place the cargo bag on the cross bars.

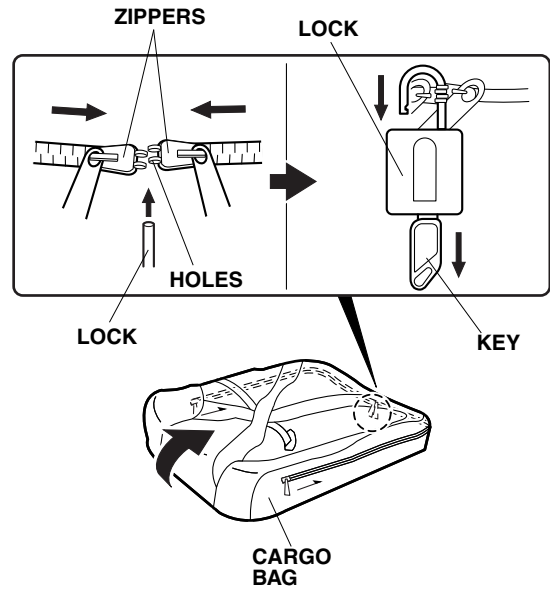


- At each mounting point, hook the cutout end of bracket B to the bolt installed in step 9, and tighten the knob.
- Route two straps through four brackets A and secure them at the buckles.

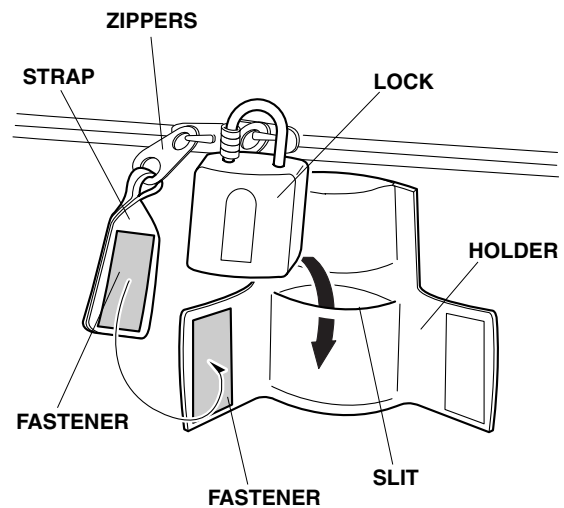


Securing the Soft Cargo Bag

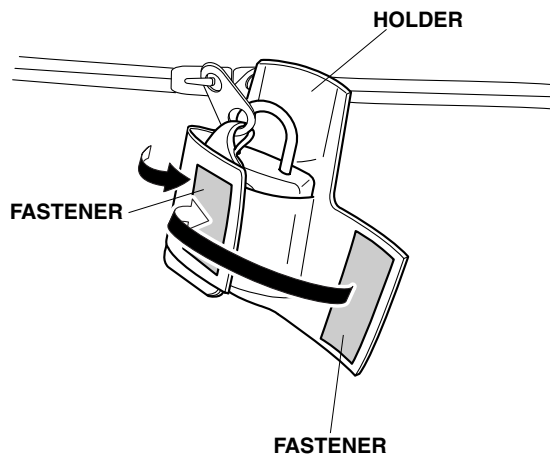
- Close the cargo bag.



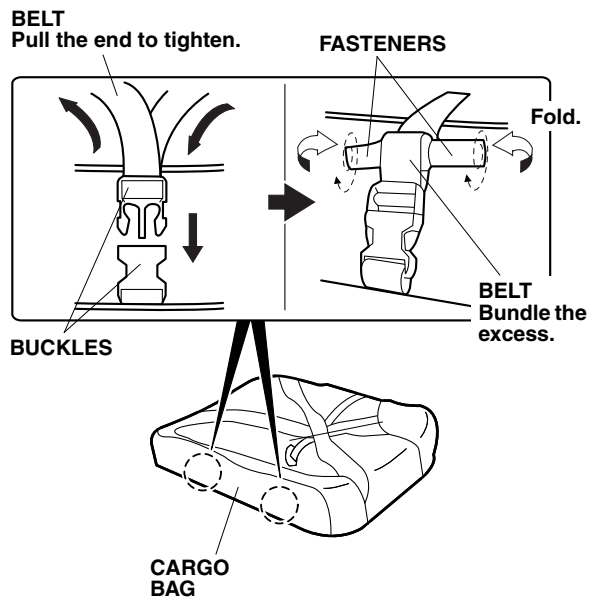
- Align the holes on the zippers and insert the lock through the holes.
- Secure the lock and remove the key.
- Insert the lock into the slit in the holder.



17. Attach the fastener on the strap to the fastener on the holder.
18. Secure the fasteners on the holder as shown.



19. Secure two buckles on the cargo bag and pull the end of the belt on the buckles to tighten.



20. Bundle the excess belt ends on the buckles as shown and fold the fasteners inward to secure the belts on the buckles.

USE AND CARE

- Load the weight equally on both sides to minimize imbalance.
- Do not overload the cargo bag.
- The addition of the cargo bag on the vehicle raises the overall height of the vehicle. Pay attention to overhead obstacles when driving with the cargo bag.
- Before driving, after driving, or after loading weight in the cargo bag, check the security of the mounts and retighten them as necessary.

PRECAUTION

Before driving, check that the cargo bag is locked securely regardless of whether or not cargo is loaded in the cargo bag.

IMPORTANT INFORMATION

- Avoid sudden starts or stops with the cargo bag on the vehicle. It may cause bolts and other fasteners to loosen.
- Be sure to check the mounting bolts for tightness at regular intervals during travel.
- The maximum is load 50 kg (110 lbs). If the vehicle manufacturer recommends lower maximal roof load, it's always the lowest load that applies.
- This cargo bag is water resistant. Cargo should be packed in plastic bags if you expect extreme weather conditions.
- The closed zippers, lock, and holder should always be at the rear of the cargo bag.
- Always empty the cargo bag before removing it from the roof.
- To clean, use only water with a mild detergent which contains no additives (such as alcohol, chlorine, or ammonia) as these could discolor the cargo bags surface. Allow to air dry completely.