

**PARTS LIST**

Rear lower trim



3 Clips



10 Spring nuts



10 Self-tapping screws



Template A



Template B

**TOOL AND SUPPLIES REQUIRED**

Phillips screwdriver

Stubby Phillips screwdriver

Ratchet

5 mm Hex wrench

Tape

Blanket

Drill

3 mm, 6 mm, 8 mm, and 10 mm Drill bits

Pushpin

File

Eye protection (face shield, safety goggles, etc.)

Masking tape

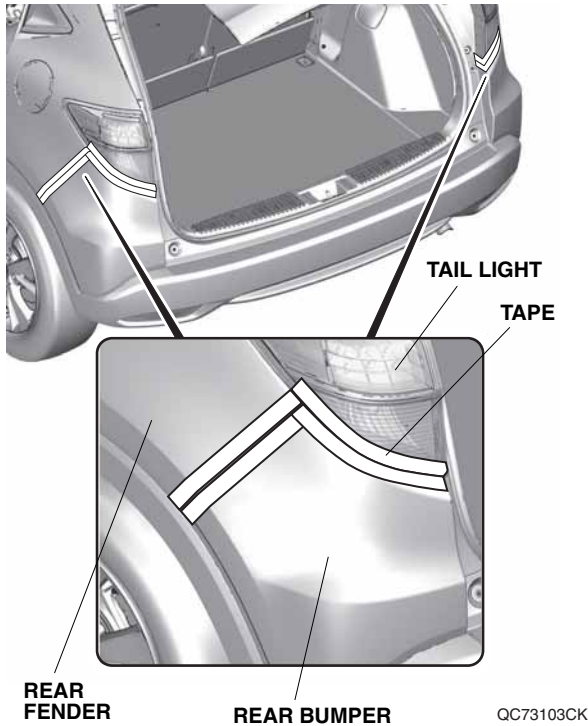
*The following tool is available through the Honda Tool and Equipment Program. On the iN, click on: Service > Service Bay > Tool and Equipment Program, then enter the number under "Search". Or, call 888-424-6857.*

- Trim Tool Set (T/N SOJATP2014)
- Plastic Trim Tool (T/N SILTRIMTL10)

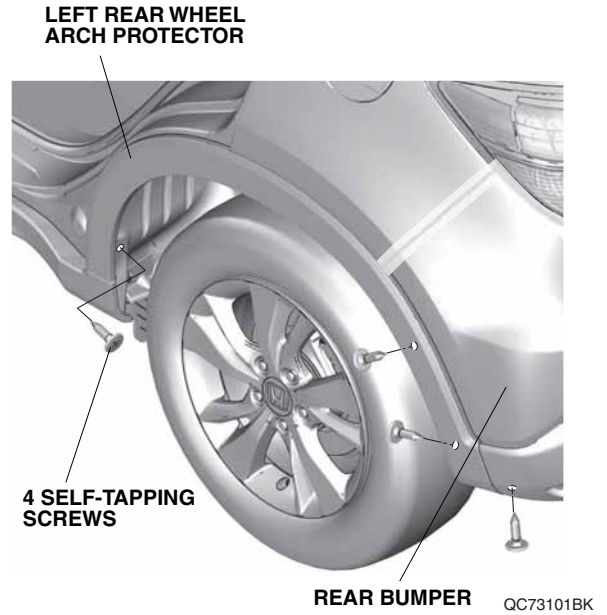
## INSTALLATION

**Customer Information:** The information in this installation instruction is intended for use only by skilled technicians who have the proper tools, equipment, and training to correctly and safely add equipment to your vehicle. These procedures should not be attempted by “do-it-yourselfers.”

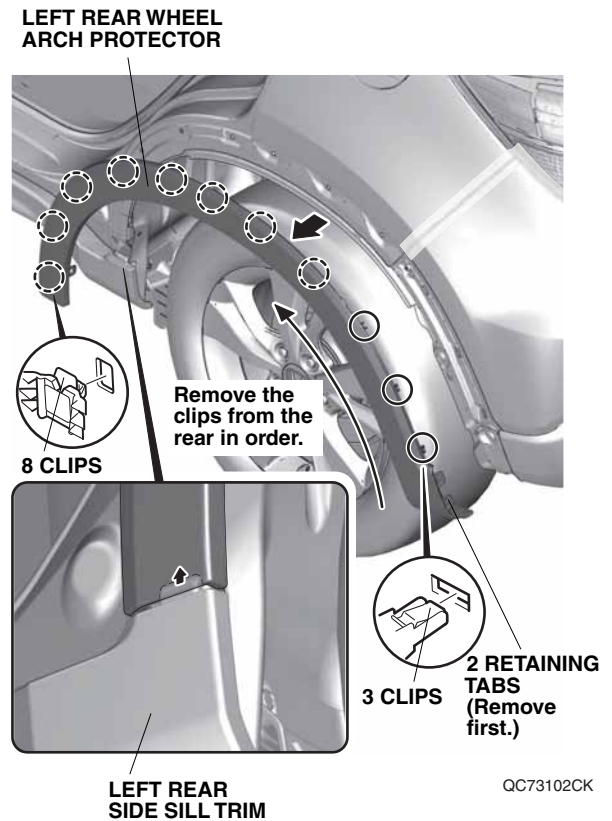
1. Remove the rear bumper:
  - Attach tape to the areas shown on each side.



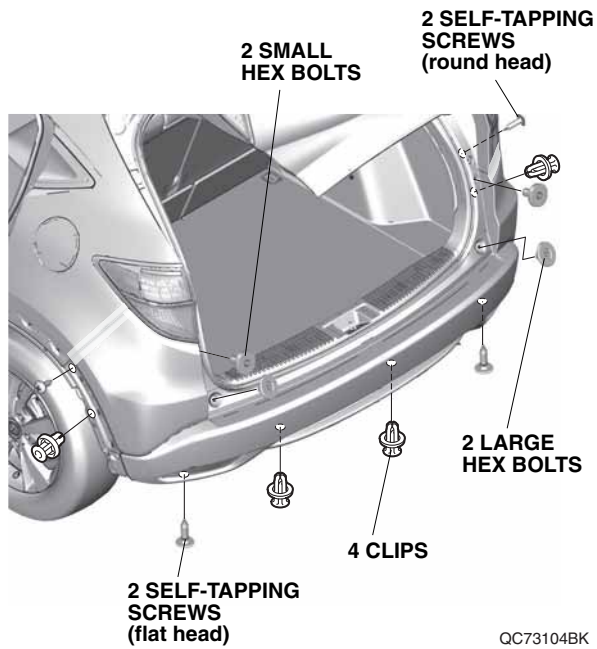
- Remove four self-tapping screws on each side.



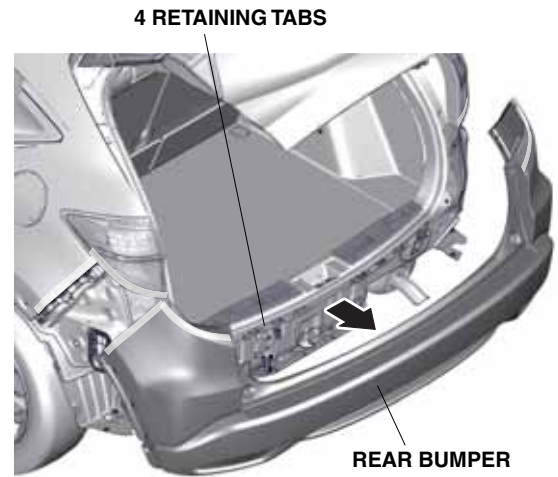
- Remove the rear wheel arch protector on each side.



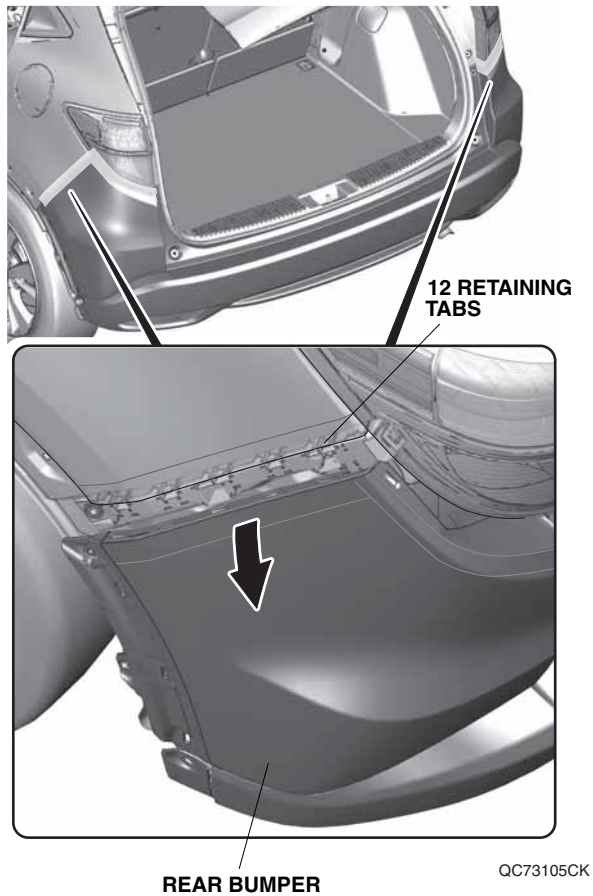
- Remove four clips, four hex bolts, and four self-tapping screws.



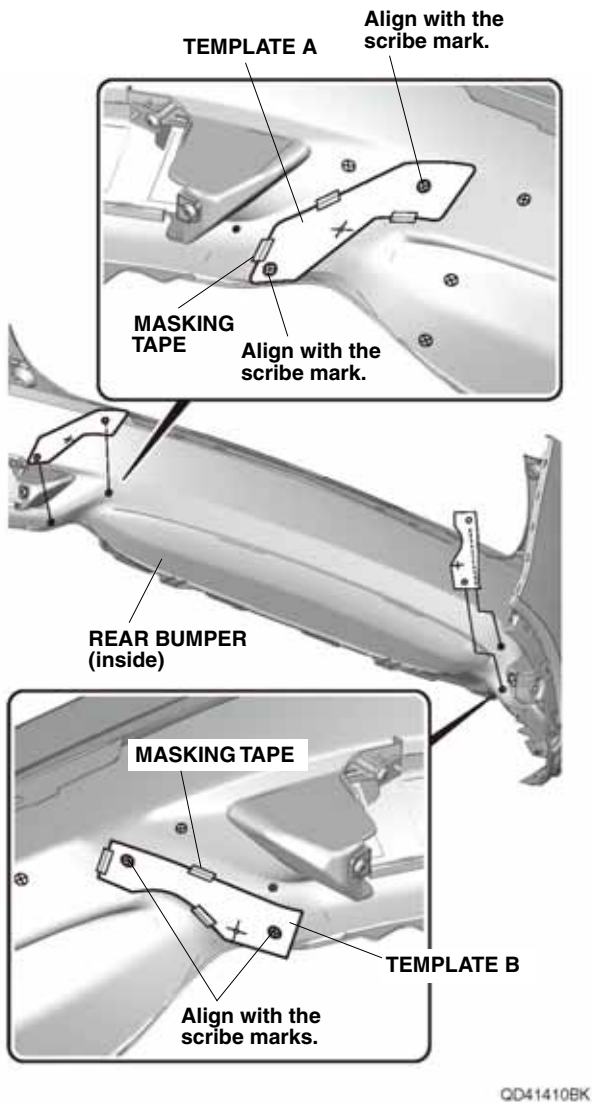
- With the help of an assistant, remove the rear bumper. Place the rear bumper on the blanket to prevent damage.



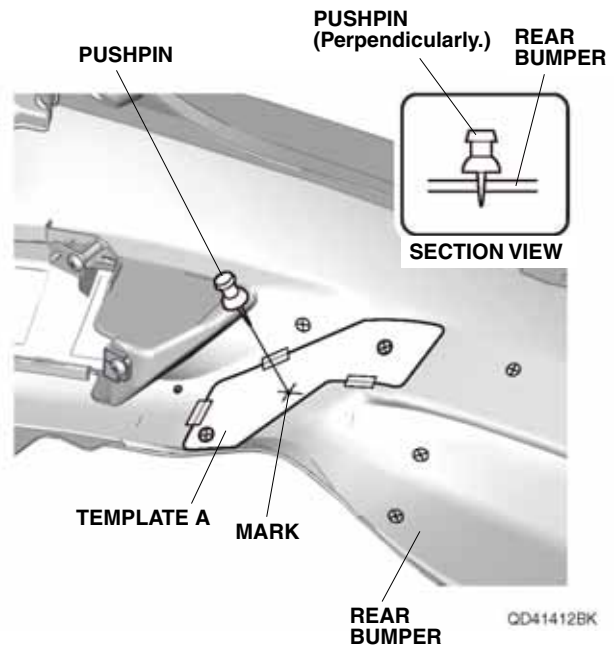
- Release 12 retaining tabs.



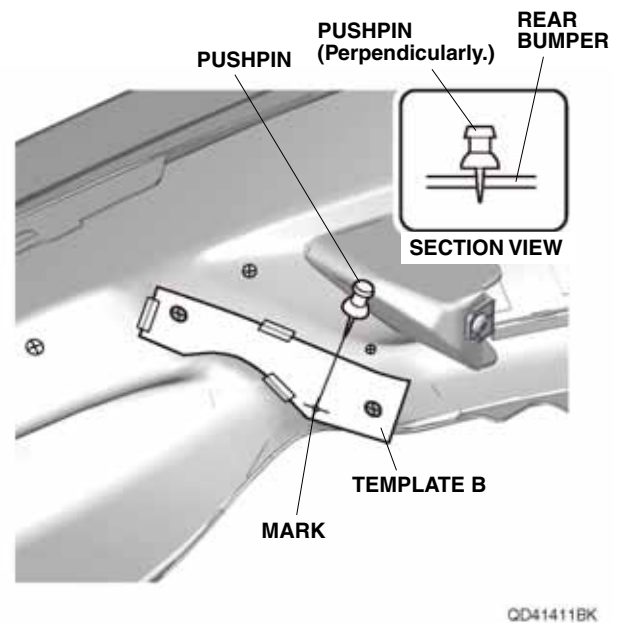
- Align templates A and B on the rear bumper as shown, then attach it with masking tape.



- Using a pushpin, pierce the rear bumper at the mark on template A as shown.

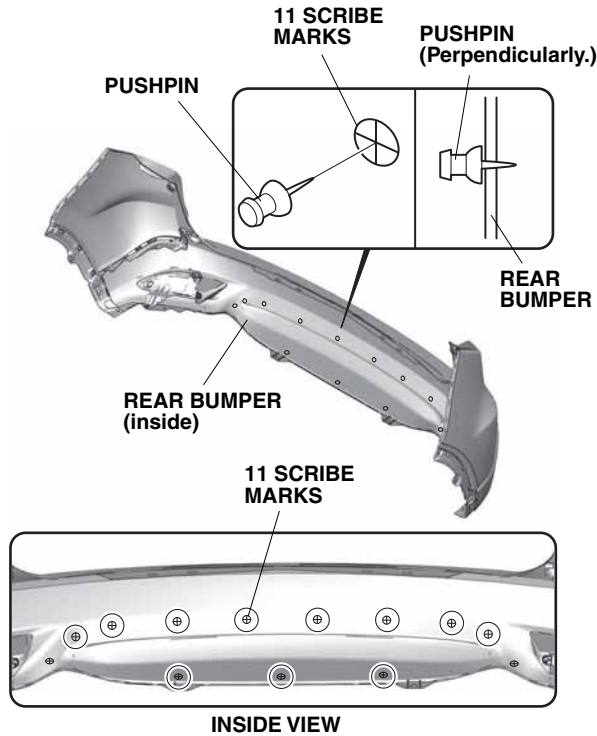


- Remove template A.
- Using a pushpin, pierce the rear bumper at the mark on template B as shown.



- Remove template B.

7. Using a pushpin, pierce the rear bumper as shown.



QD41413AK

8. While wearing eye protection, drill the three pierced marks to 10 mm:

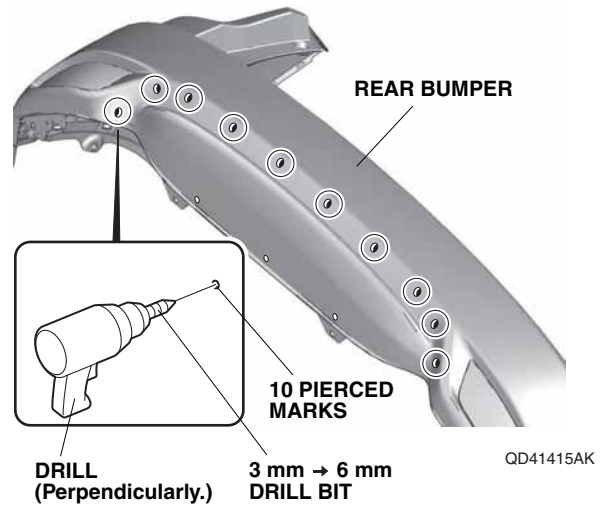
- First drill with a 3 mm drill bit, with a 6 mm drill bit, then with an 8 mm drill bit, and finish with a 10 mm drill bit.
- Remove all burrs.



QD41414AK

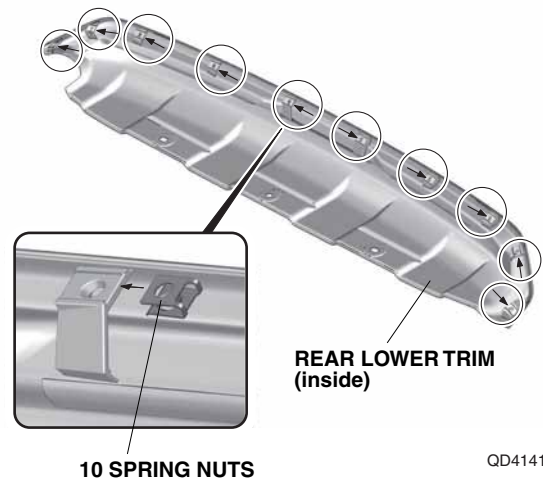
9. While wearing eye protection, drill 10 pierced marks to 6 mm:

- First drill with a 3 mm drill bit, and finish with a 6 mm drill bit.
- Remove all burrs.



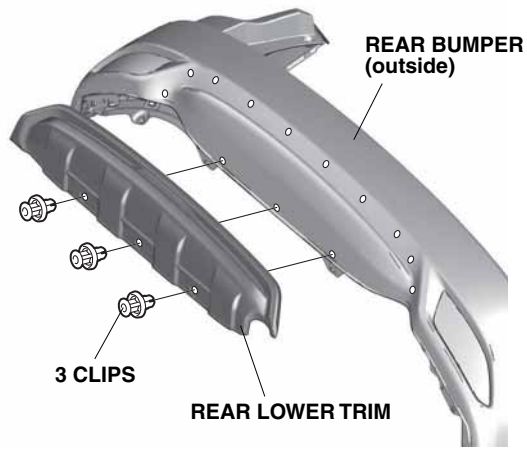
QD41415AK

10. Install 10 spring nuts on the rear lower trim. Make sure to install the spring nut in the correct orientation.



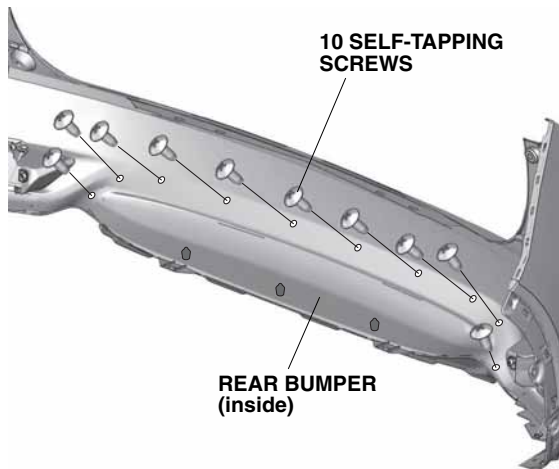
QD41416AK

11. Install the rear lower trim on the rear bumper.



QD41417AK

12. Secure the rear lower trim.



QD41418AK

13. Install all removed parts.