

PARTS LIST

Hood air deflector



Bracket A



2 Brackets B



2 Brackets C



2 Collars



3 Alcohol swabs



3 Clips



2 Screws



4 Truss screws



5 Protective films



Advice label



4 Grommet nuts


TOOLS AND SUPPLIES REQUIRED

Phillips screwdriver

Masking tape

INSTALLATION

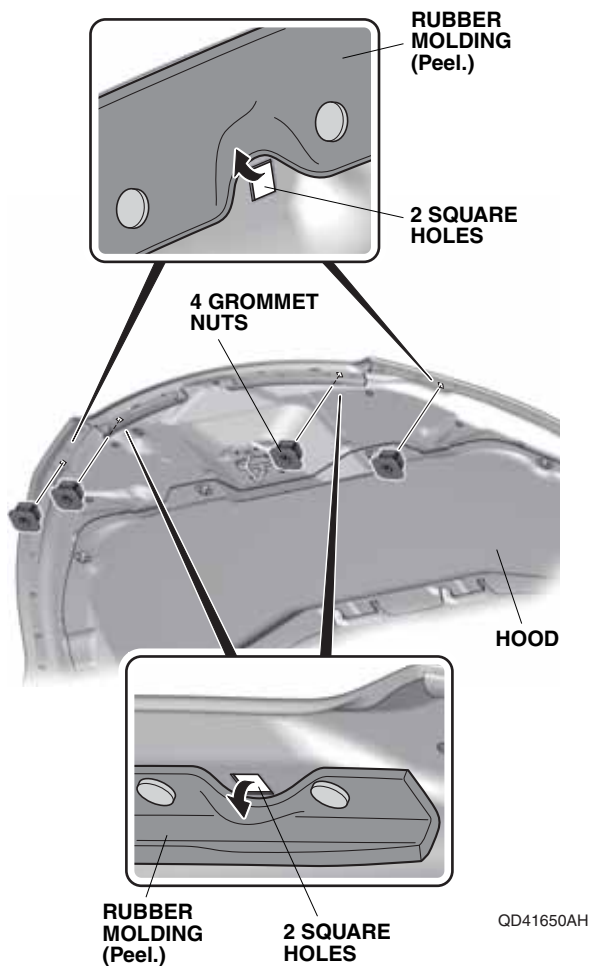
Customer Information: The information in this installation instruction is intended for use only by skilled technicians who have the proper tools, equipment, and training to correctly and safely add equipment to your vehicle. These procedures should not be attempted by “do-it-yourselfers.”

NOTE:

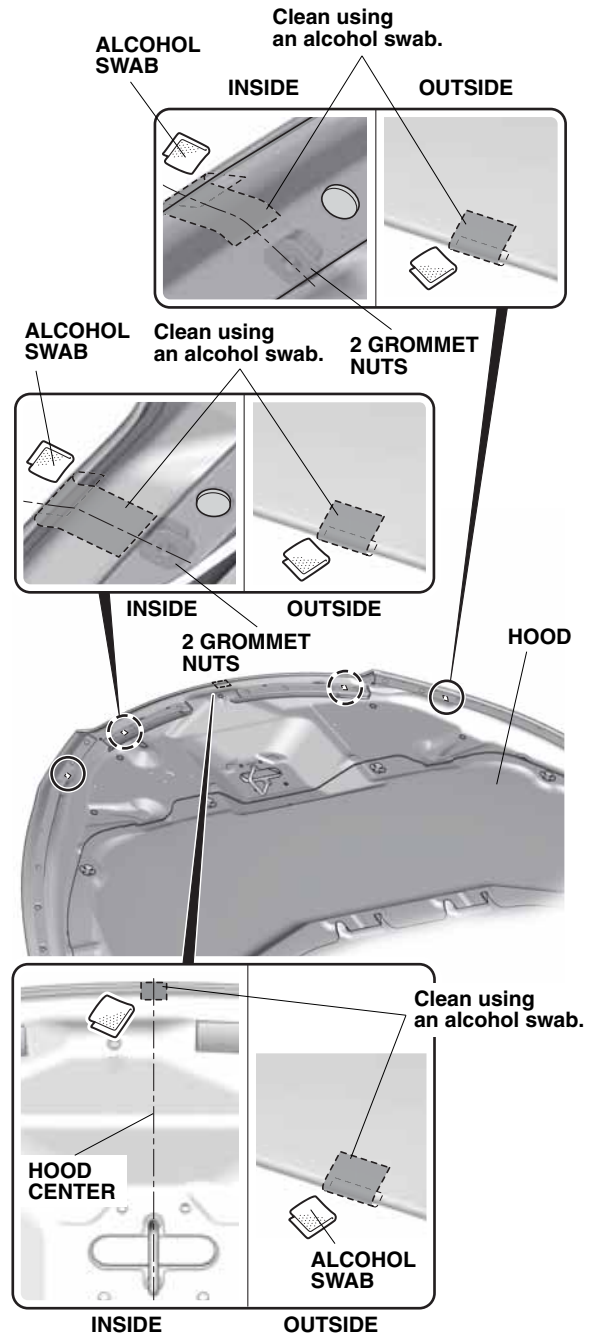
- Be careful not to damage the paint finish.
- This hood air deflector kit should be installed only if the ambient air temperature is 15°C (60°F) or above.
- To allow the adhesive to cure, do not wash the vehicle for 24 hours. Please advise your customer.

Installing the Hood Air Deflector

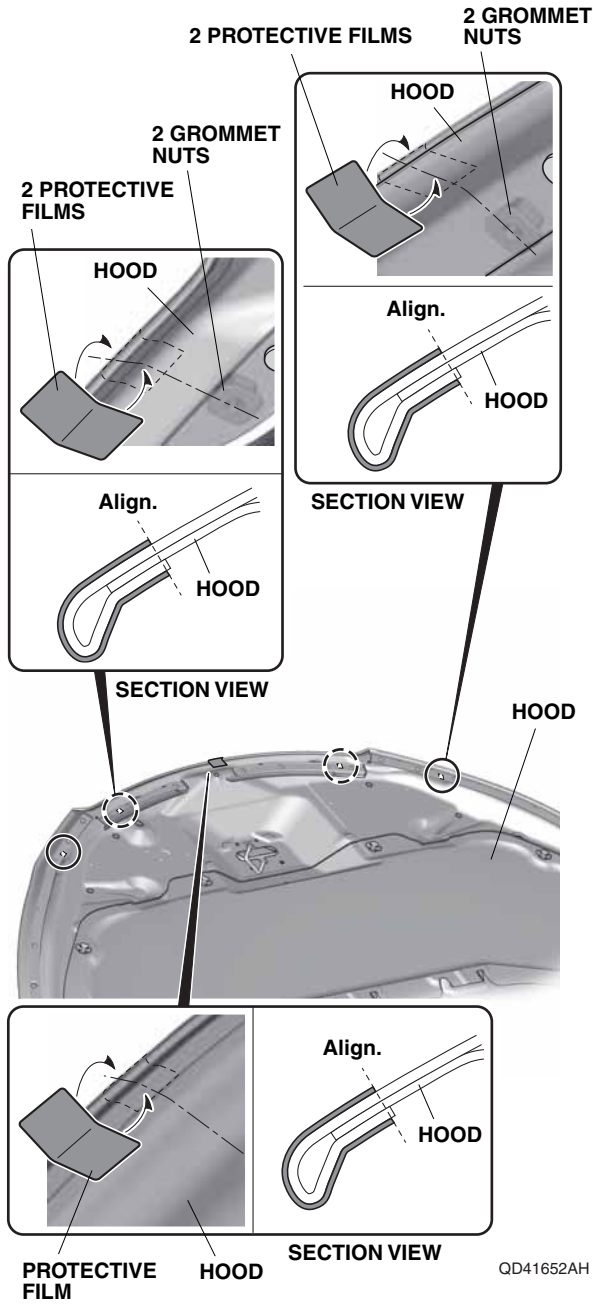
1. Open the hood. Peel the rubber molding from the inside edge of the hood in the areas shown, and locate the four square holes on the inside of the hood. Push one grommet nut into each square hole on the hood.



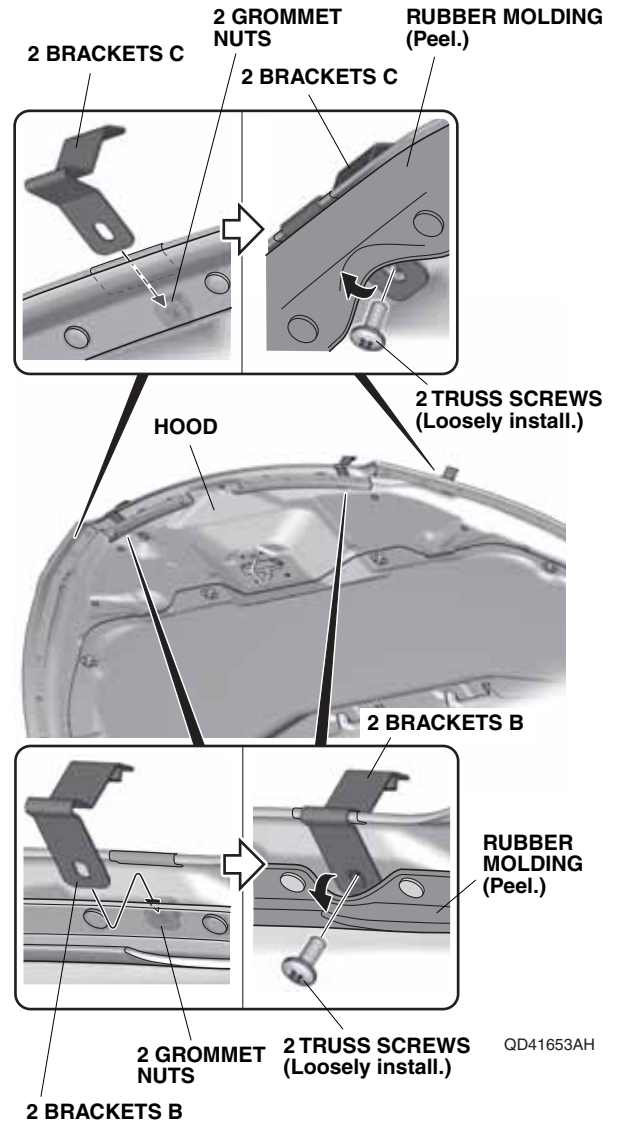
2. Using an alcohol swab, thoroughly clean the hood where the protective films will attach.



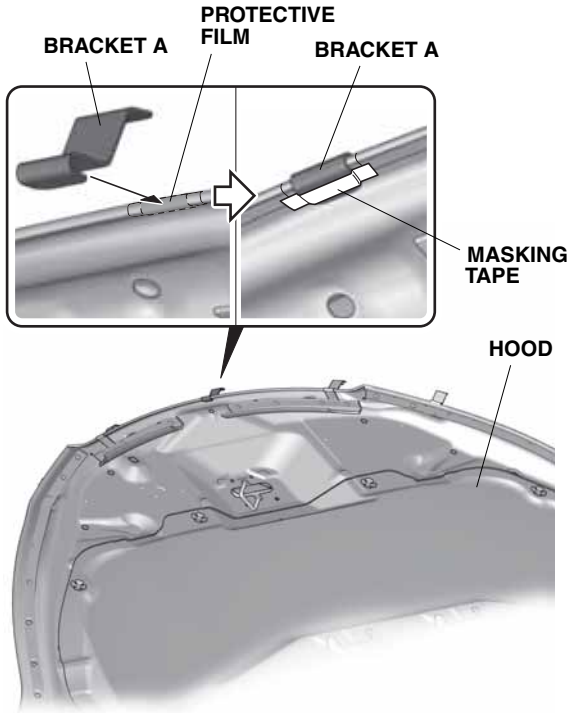
- Remove the adhesive backings from the five protective films, and attach them to the front of the hood as shown.



- Slide the two brackets B and the two brackets C between the hood and the rubber molding as shown, and align them with the holes in the grommet nuts. Loosely install a truss screw through each bracket.

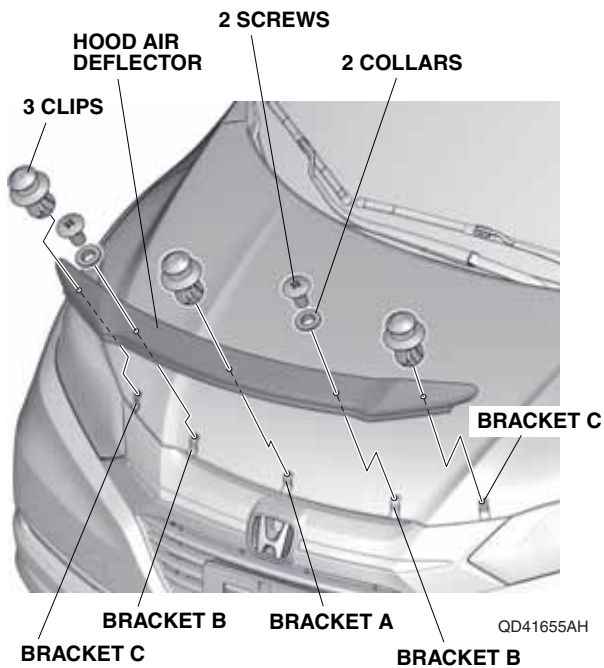


5. Using masking tape, attach bracket A to the hood.



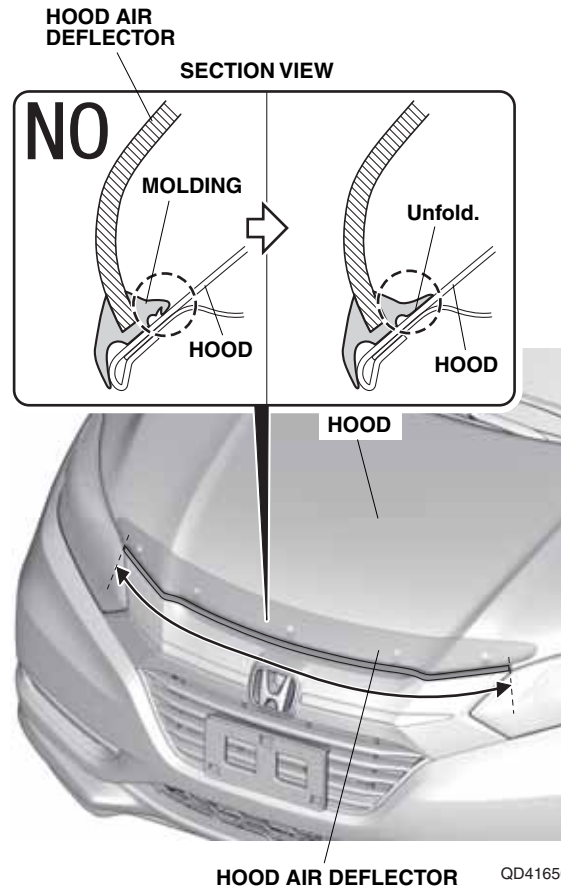
QD41654AH

6. Close the hood. Position the hood air deflector on the hood. Align the holes in the hood air deflector with the holes in the five brackets. Install the hood air deflector to the brackets with two screws, two collars, and three clips. Tighten the screws securely.



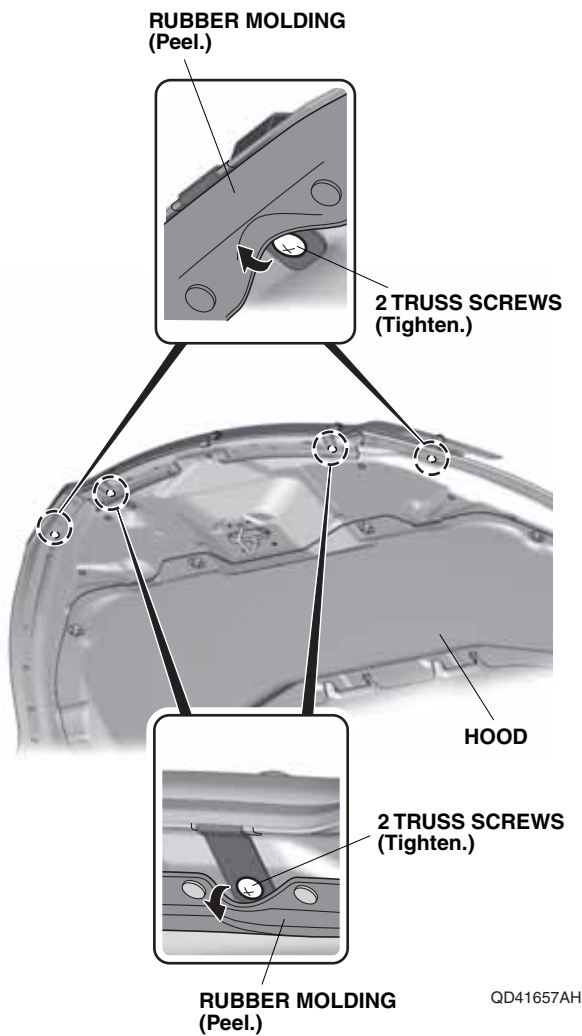
QD41655AH

7. Make sure the edge of the molding on the hood air deflector unfolds.

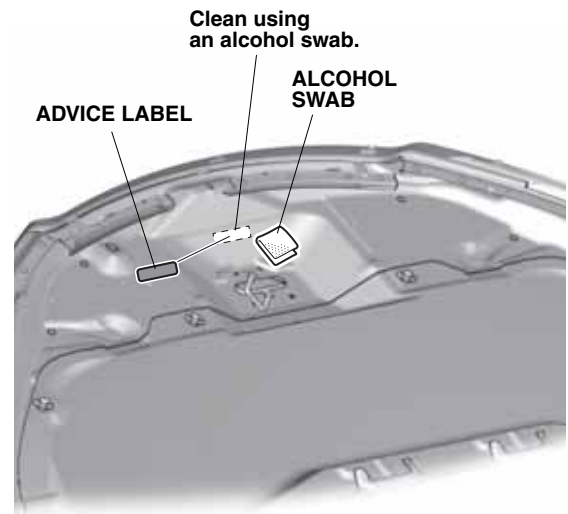


QD41656AH

8. Open the hood. Tighten the four truss screws loosely installed in step 4.



9. Using an alcohol swab, thoroughly clean the inside of the hood where the advice label will attach.



10. Remove the adhesive backing from the advice label, and attach the advice label to the hood as shown. **NOTE:** Do not attach the advice label over any vehicle caution label.

CARE OF THE HOOD AIR DEFLECTOR

- To avoid damaging the surface, never use ammonia-based cleaners or solvents to clean the hood air deflector.
- Clean with a solution of mild dishwashing soap and water using a soft cloth or chamois.
- To remove fine scratches and restore the original luster, use Meguiar's Mirror Glaze plastic cleaner and polish or an equivalent high-quality plastic cleaner.