

PARTS LIST

Left front door edge film
(Identification mark: FR-L)



Right front door edge film
(Identification mark: FR-R)



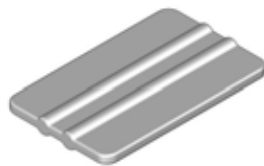
Left rear door edge film
(Identification mark: RR-L)



Right rear door edge film
(Identification mark: RR-R)



Applicator



Soft sleeve



2 Alcohol swabs

**TOOLS AND SUPPLIES REQUIRED**

Shop towel

Spray bottle

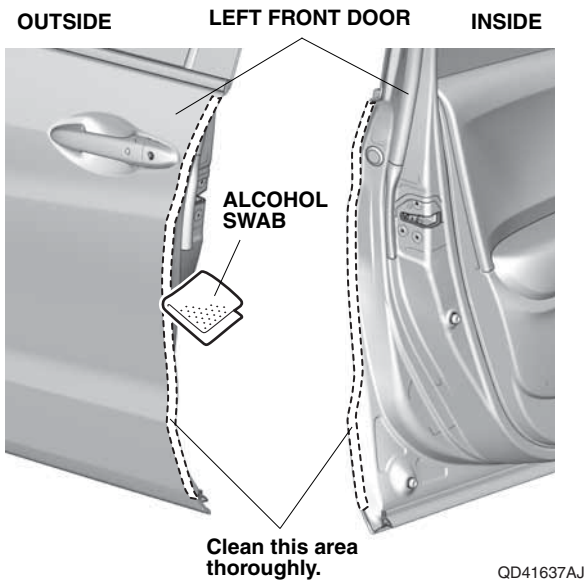
3M Protective tape application solution

INSTALLATION**NOTE:**

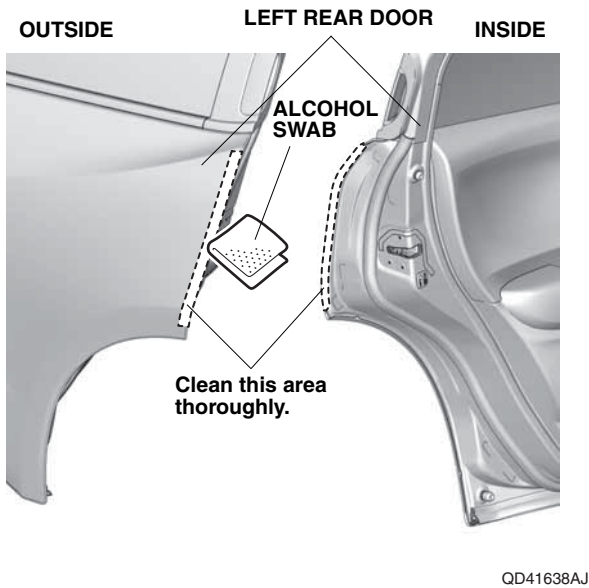
- If you are also installing body side moldings (sold separately), install them after you install the door edge films.
- These instructions show the left door edge film being installed. The same procedure applies to installing the right door edge film.
- Identify each door edge film by referring to the identification mark.
- Be careful not to damage the paint finish.
- This door edge films kit should be installed only if the ambient air temperature is 15°C (60°F) or above.
- To allow the adhesive to cure, do not wash the vehicle for 24 hours. Please advise the customer.

1. Open the left front door and left rear door. Using an alcohol swab, thoroughly clean the areas where the left door edge films will attach.

Left Front Door:

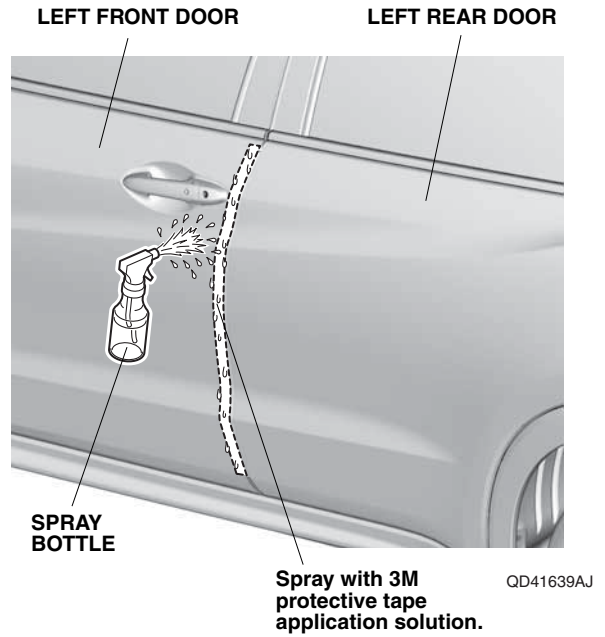


Left Rear Door:

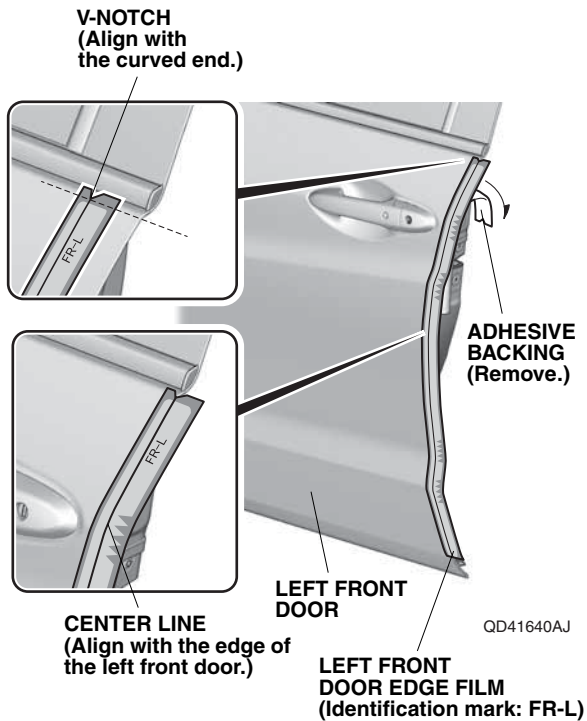


2. Close the left front door and left rear door. Using a spray bottle with 3M protective tape application solution, spray the outer area where the left front door edge film will attach.

NOTE: Spray the outer surface of the door only.

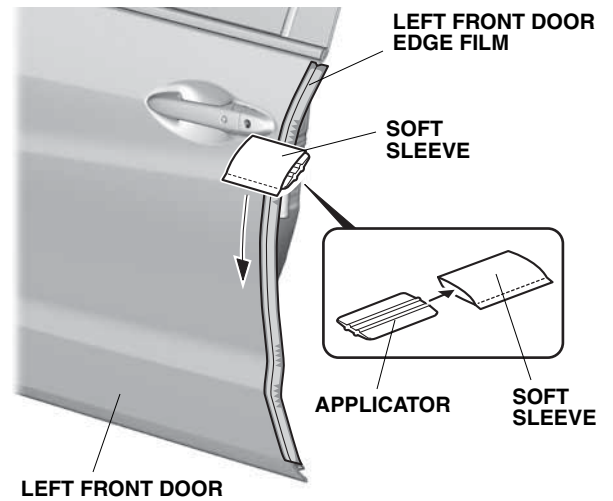


- Open the left front door. Peel back about 50 mm (1.97 in.) of adhesive backing from the left front door edge film. Align the V-notch with the curved end on the left front door as shown.

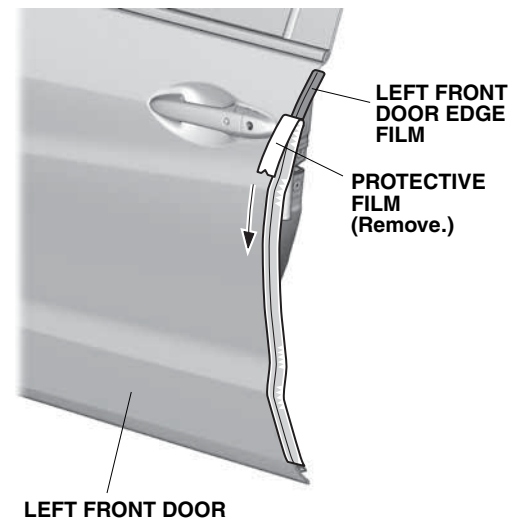


- Align the center line on the left front door edge film with the edge of the left front door. While applying light pressure, carefully remove the adhesive backing, and attach the left front door edge film to the left front door.

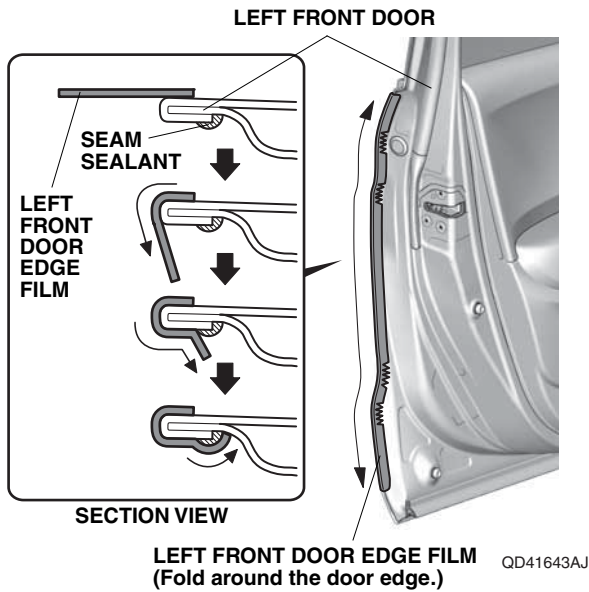
- Insert the applicator into the soft sleeve. Starting from the top and working downward, use the soft sleeve to smooth the left front door edge film. Move the soft sleeve in one direction only.



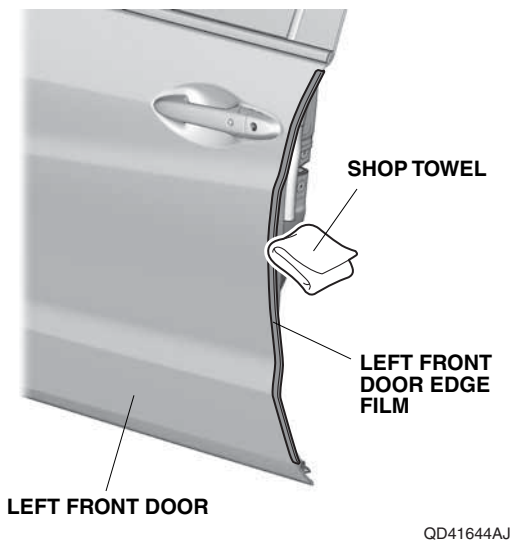
- Slowly remove the protective film from the left front door edge film.



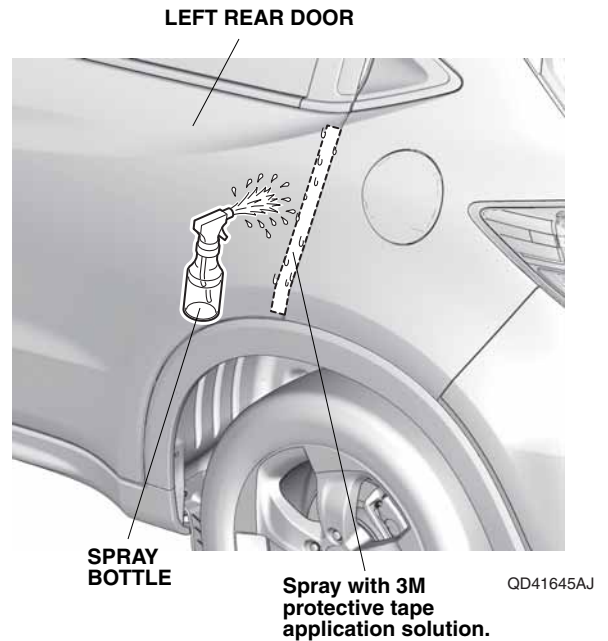
- Starting from the center and working outward, use your fingers to fold the left front door edge film around the edge of the left front door as shown. Move your fingers in one direction only. Attach the left front door edge film over the seam sealant. Do not trim or damage the seam sealant.



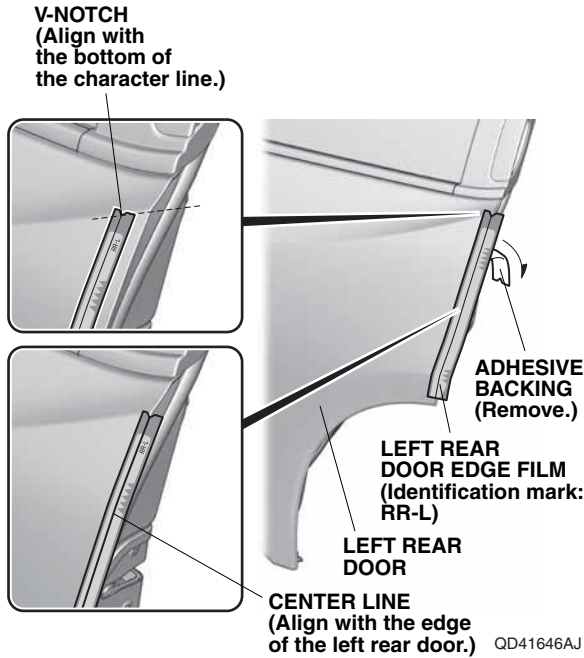
- Using a shop towel, to wipe the excess 3M protective tape application solution from the left front door edge film. Allow the left front door edge film to dry thoroughly.



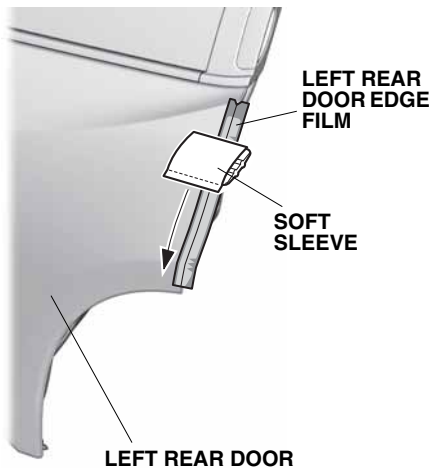
- Using a spray bottle with 3M protective tape application solution, spray the outer area where the left rear door edge film will attach. **NOTE: Spray the outer surface of the door only.**



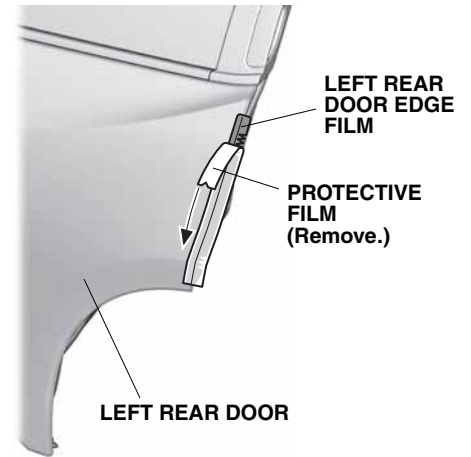
- Open the left rear door. Peel back about 50 mm (1.97 in.) of adhesive backing from the left rear door edge film. Align the V-notch with the bottom of the character line on the left rear door as shown.



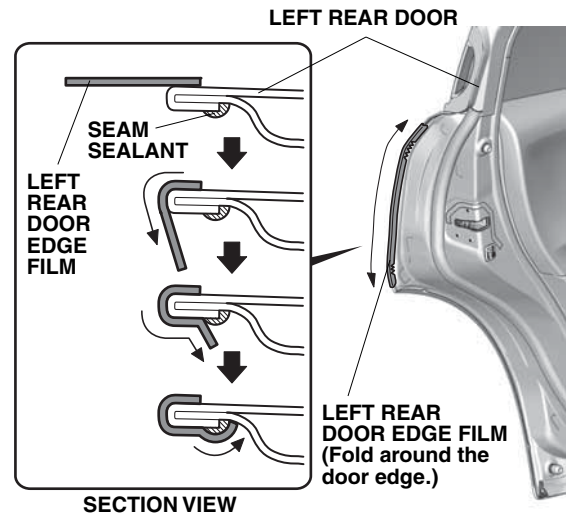
- Align the center line on the left rear door edge film with the edge of the left rear door. While applying light pressure, carefully remove the adhesive backing, and attach the left rear door edge film to the left rear door.
- Starting from the top and working downward, use the soft sleeve to smooth the left rear door edge film. Move the soft sleeve in one direction only.



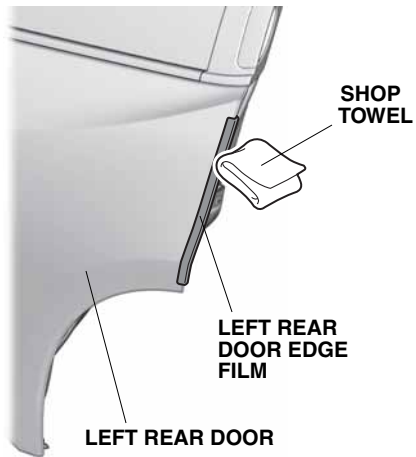
- Slowly remove the protective film from the left rear door edge film.



- Starting from the center and working outward, use your fingers to fold the left rear door edge film around the edge of the left rear door as shown. Move your fingers in one direction only. Attach the left rear door edge film over the seam sealant. Do not trim or damage the seam sealant.



- Using a shop towel, wipe the excess 3M protective tape application solution from the left rear door edge film. Allow the left rear door edge film to dry thoroughly.



QD41650AJ

- Repeat steps 1 through 15 to install the right door edge films on the right side of the vehicle.