

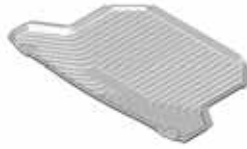


# INSTALLATION INSTRUCTIONS

<b>Accessory</b>  <b>CARGO TRAY</b> P/N 08U45-T7S-100	<b>Application</b>  2017 HR-V	<b>Publications No.</b> <b>VERSION 1</b>
		<b>Issue Date</b> <b>SEP 2016</b>

## PARTS LIST

Cargo tray



## TOOLS AND SUPPLIES REQUIRED

Utility knife

File

### Illustration of the Cargo Tray in the Vehicle



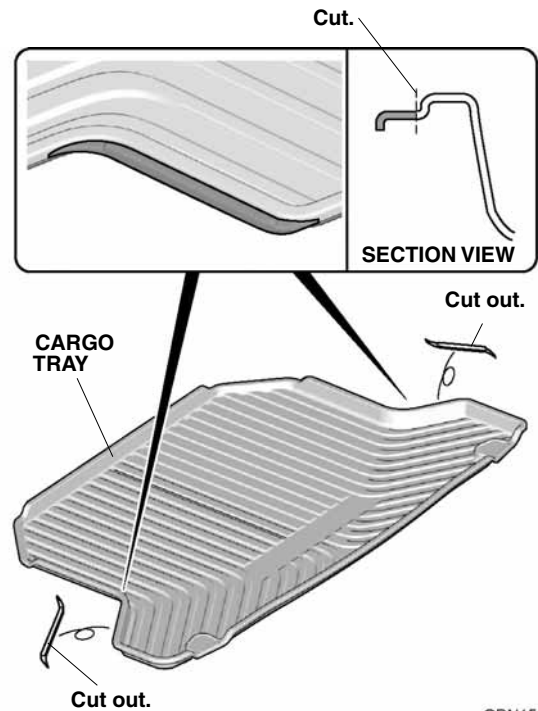
QD40801AK

## INSTALLATION

If the vehicle is 2WD model, continue with step 1. If the vehicle is 4WD model without cargo net, go to step 3. If the vehicle is 4WD model with cargo net, go to step 4.

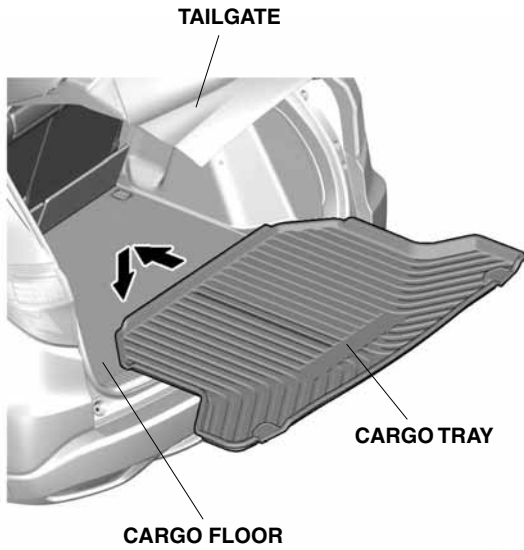
### 2WD Models

1. Using a utility knife, cut out the cargo tray as shown. Remove any burrs.



QDN1501BT

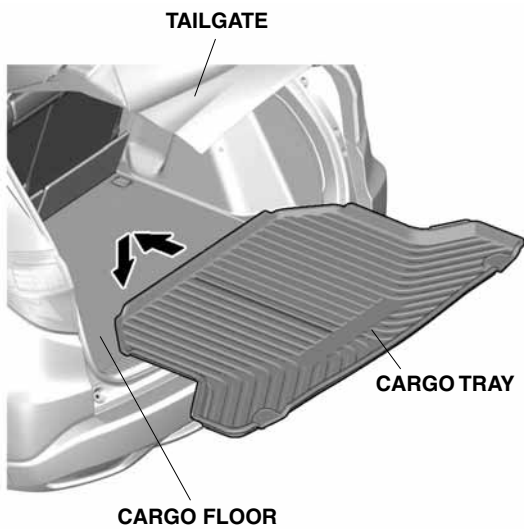
- Open the tailgate. Place the cargo tray on the cargo floor.



QDN1502AT

#### 4WD Models Without Cargo Net

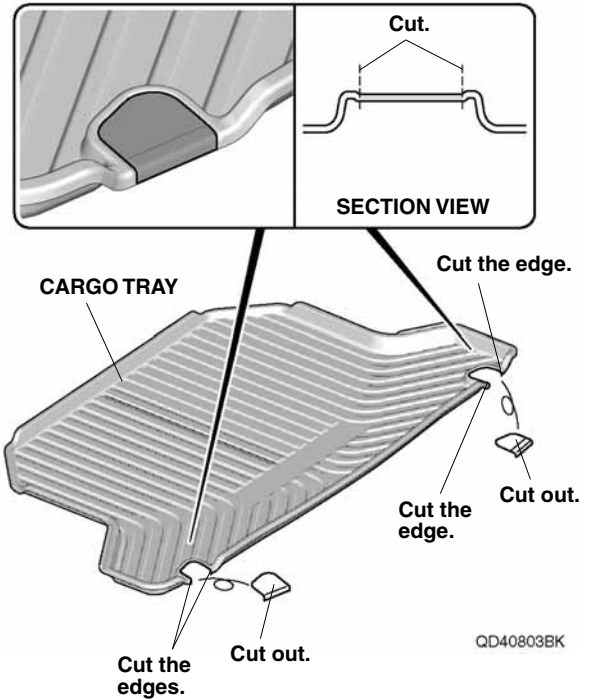
- Open the tailgate. Place the cargo tray on the cargo floor.



QD40802BK

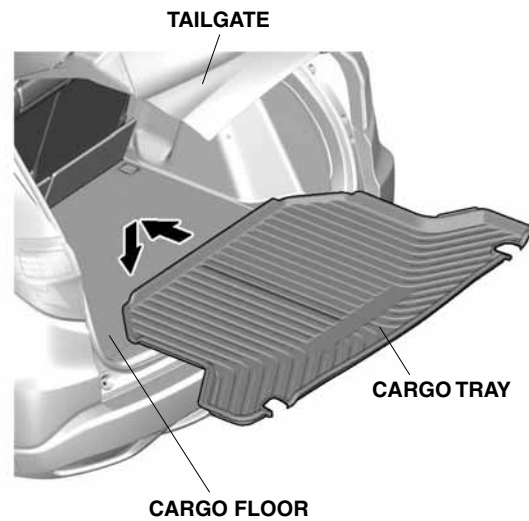
#### 4WD Models With Cargo Net

- Using a utility knife, cut out the cargo tray as shown. Remove any burrs.



QD40803BK

- Open the tailgate. Place the cargo tray on the cargo floor.



QD40804BK