

HONDA
INSTALLATION
INSTRUCTIONS

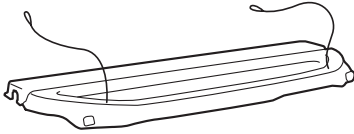
Accessory
CARGO COVER

Application
2017 FIT

Publications No.
VERSION 1
 Issue Date
JUN 2016

PARTS LIST

Cargo cover
 Part # 84400-T5R-C01ZA

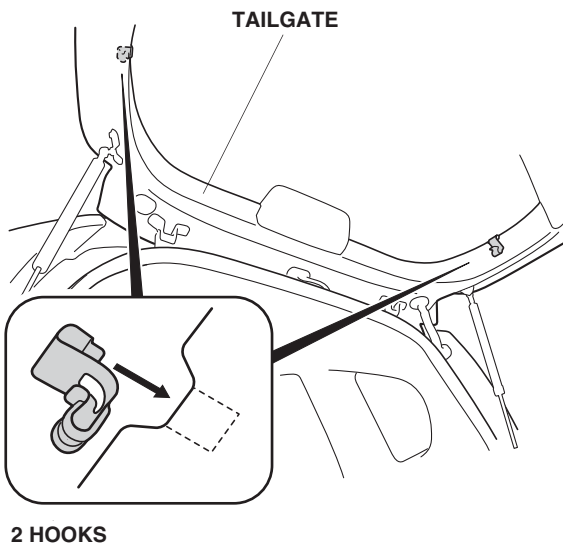


2 Hooks
 Part # 84405-SF4-003

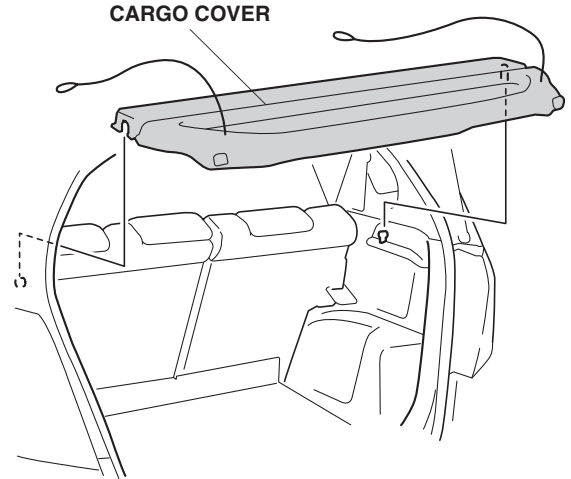


INSTALLATION

1. Install the two hooks on the inside of the tailgate frame.



2. Install the cargo cover in the cargo area.



3. Slide the cords over the hooks on the tailgate.

