

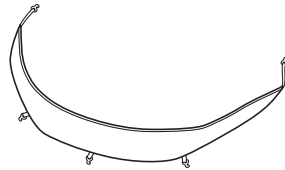


INSTALLATION INSTRUCTIONS

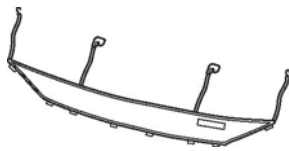
Accessory FULL NOSE MASK P/N 08P35-TBA-100	Application 2017 CIVIC 2- AND 4-DOOR	Publications No. VERSION 1
		Issue Date SEP 2016

PARTS LIST

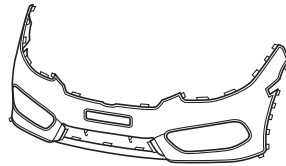
Nose mask
(hood area)



Nose mask
(upper bumper area)



Nose mask
(lower bumper area)



2 Snap-screws



2 Washers



TOOLS AND SUPPLIES REQUIRED

Stubby Phillips screwdriver

Utility knife

High-quality paste wax

INSTALLATION

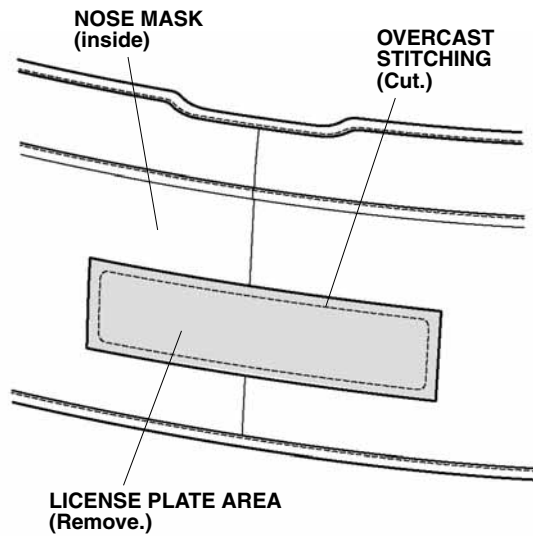
NOTE:

- Make sure the vehicle and the nose mask are clean and completely dry before installation. If moisture under the nose mask is allowed to dry, it may cloud the paint. If the nose mask gets wet, remove it and allow it to air-dry completely.
- Make sure any repainted surfaces are cured.
- Wax the hood and nose of the vehicle with a high-quality paste wax.
- Install the nose mask securely. If the nose mask starts to flap or comes loose while driving, safely pull off the highway, stop the vehicle, and secure or remove the nose mask.

Displaying the Front License Plate

If your state law requires the display of both license plates, cut out the piece of the nose mask's lower bumper area that covers the front license plate:

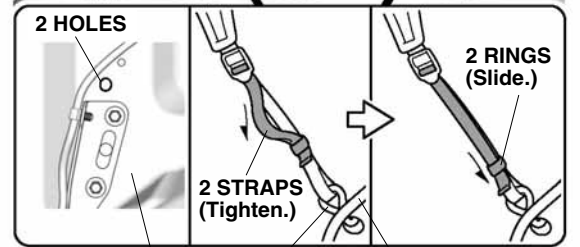
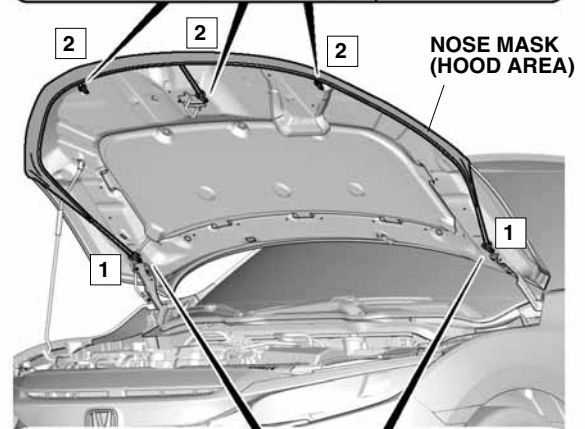
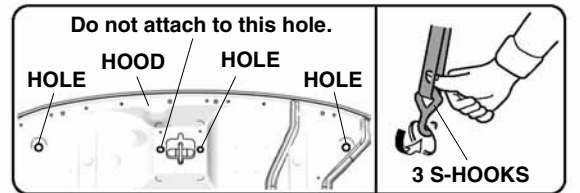
- Face the inside of the bumper area toward you.
- Carefully cut out the license plate area with utility knife at the top seam, and remove the overcast stitching.



QE40801AU

Installing the Hood Area

1. Open the hood. Fit the corners of the nose mask's hood area around the hood, and adjust it so it fits smoothly over the edges. Attach one S-hook to each hole on the underside of the hood, route the nose mask under the washer tube on the right side. Then tighten the straps.



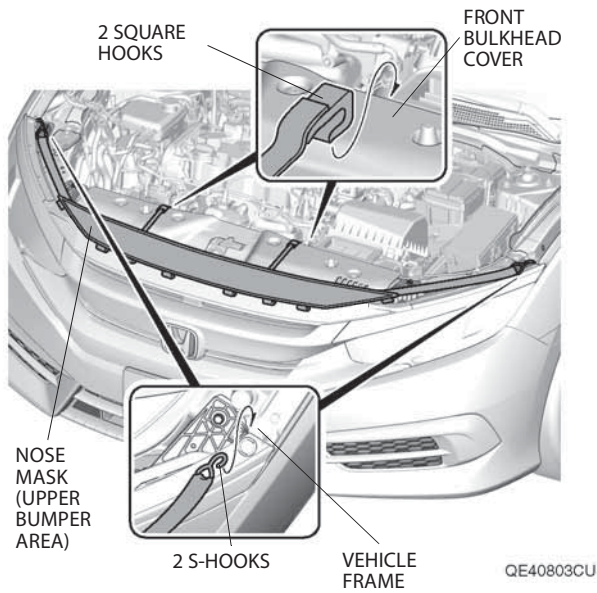
HOOD 2 S-HOOKS WASHER TUBE

QE40802BU

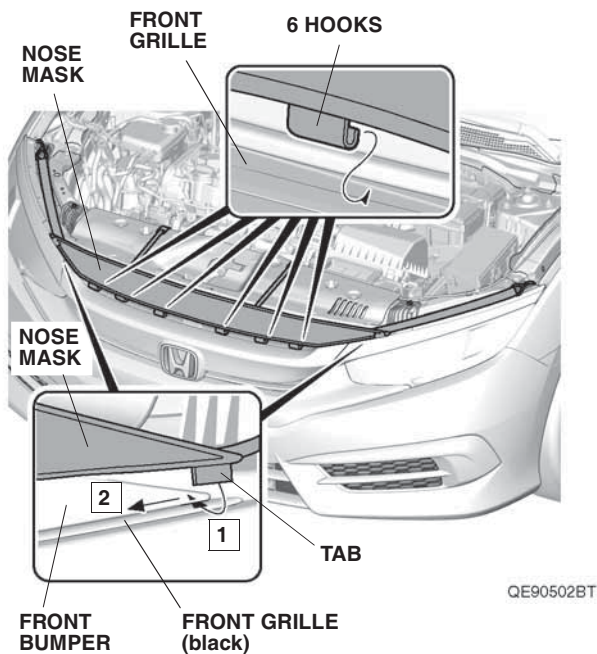
2. Attach three S-hooks to the underside of the hood by inserting your finger into the belt of each hook.

Installing the Upper Bumper Area

- Attach two square hooks on the nose mask's upper bumper area to the front bulkhead cover. Attach two S-hooks to the vehicle frame.

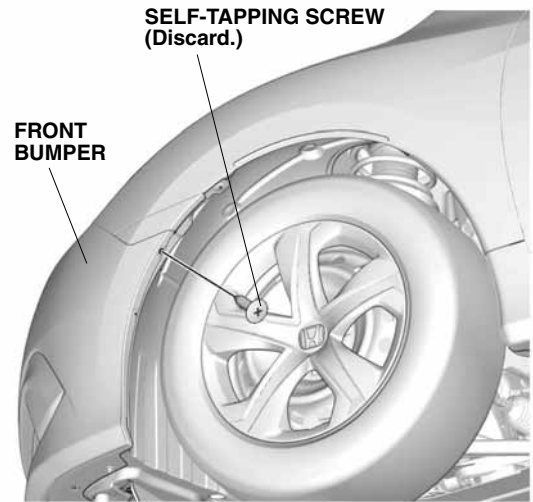


- Attach the six hooks to the front grille opening. Insert the lower inner corner of the left tab between the front grille and front bumper, then push down and slide the tab until it's fully inserted between front grille and front bumper. Repeat for tab on the other side.

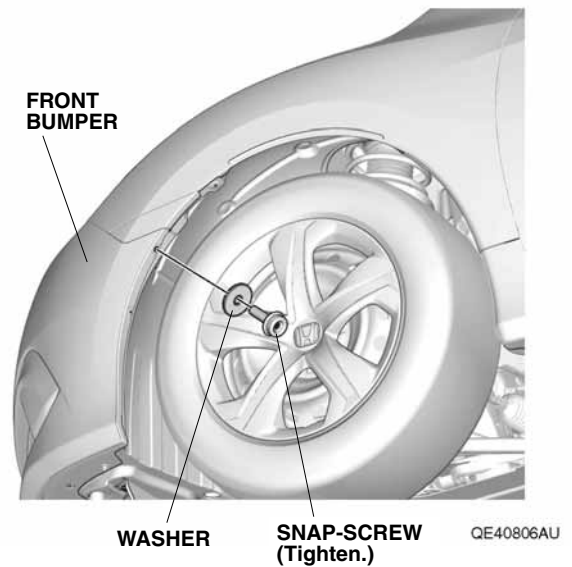


Installing the Lower Bumper Area

- Remove the self-tapping screw.

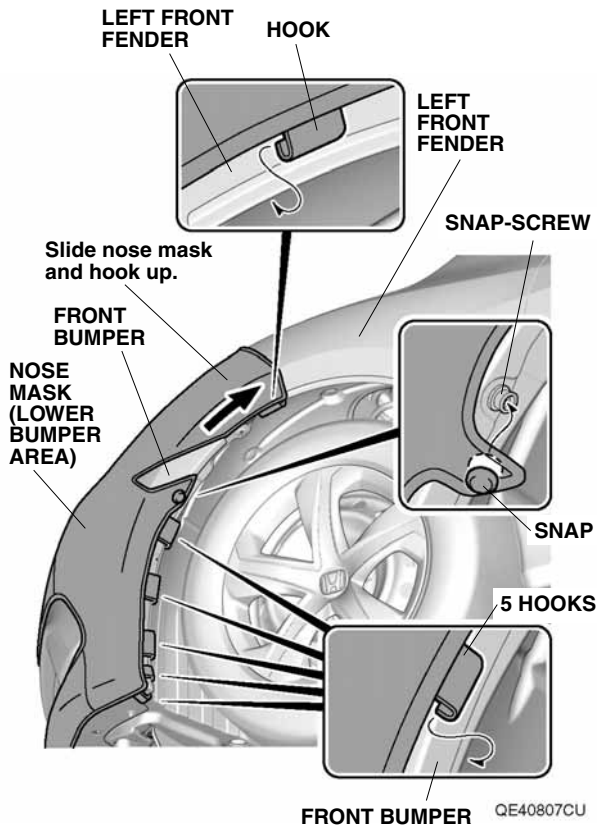


- Install one snap-screw and one washer to the front bumper.



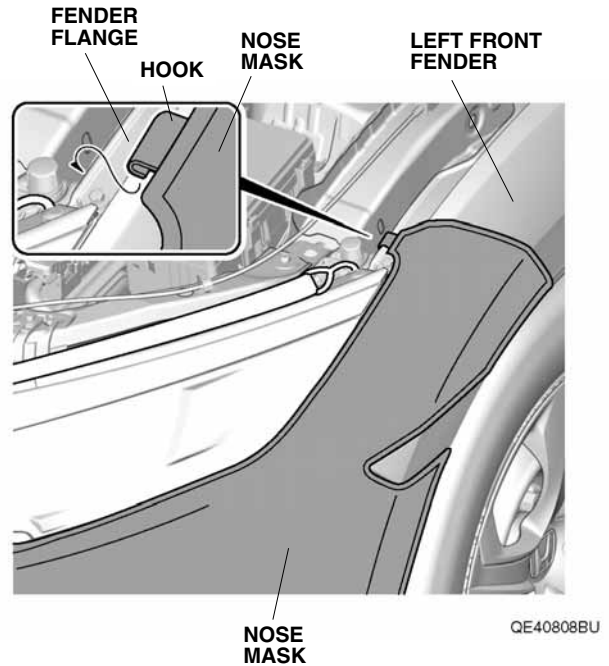
- Repeat steps 5 and 6 on the right side of the vehicle.

8. Pull the nose mask's lower bumper area back toward the front bumper, smooth out any wrinkles, then snap the nose mask's lower bumper area onto the snap-screw.

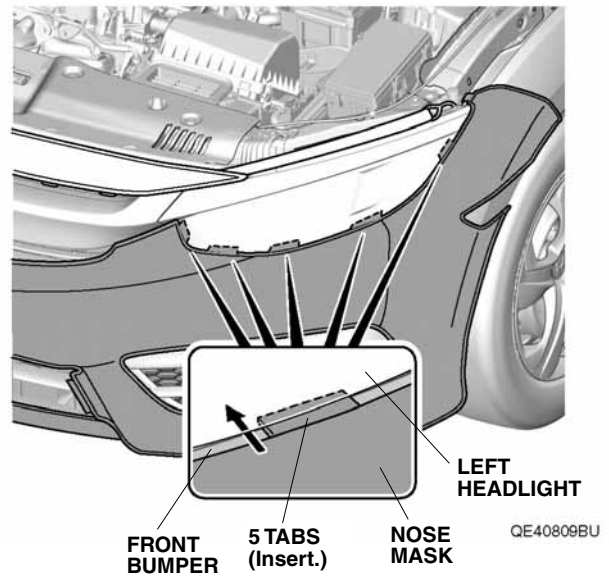


9. Attach five hooks on the nose mask's lower bumper area to the edge of the front bumper.
10. Attach one hook to the flange on the left front fender by sliding it up until the hook attaches to the flange. The hook will slide down when the nose mask is stretched.
11. Repeat steps 8 through 10 on the right side of the vehicle.

12. Attach one hook to the fender flange as shown.

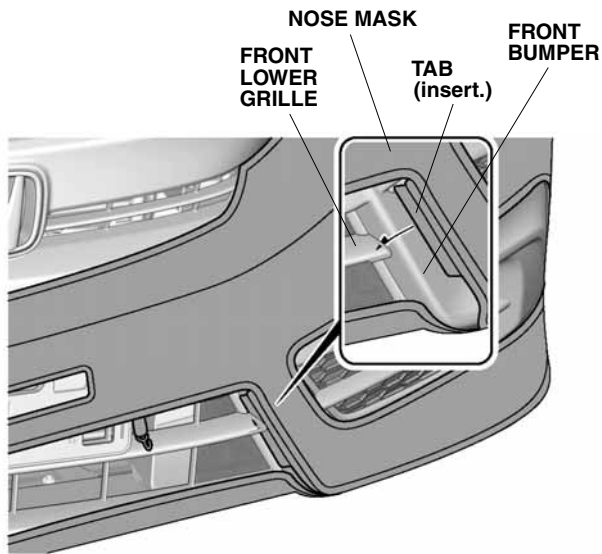


13. Insert five tabs between the left headlight and front bumper.



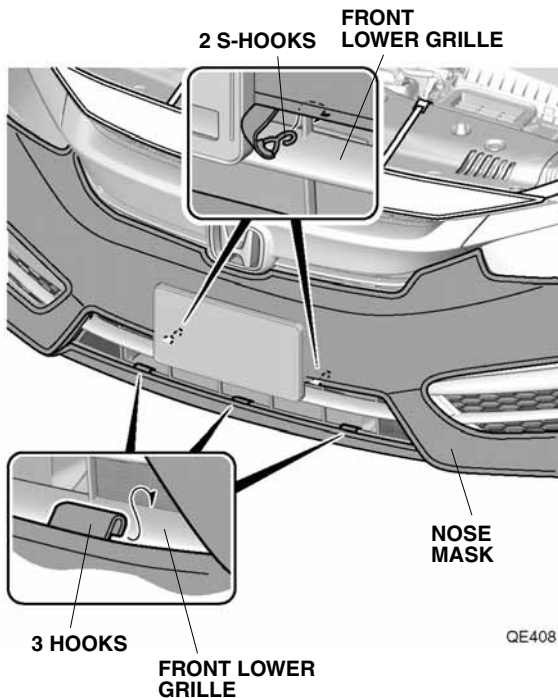
14. Repeat steps 12 and 13 on the right side of the vehicle.

15. On each side of the vehicle, insert one tab between horizontal fin on the front lower grille and the front bumper.



QE40811BU

16. Attach three hooks and two S-hooks to the inside edge of the front lower grille opening as shown.



QE40812BU

CLEANING THE NOSE MASK

Use a sponge or cloth with a solution of mild liquid dishwashing soap and water to clean the vinyl and the flannel backing. Rinse the mask completely with clean water, and hang it to dry, out of direct sunlight. Make sure the mask is completely dry before you reinstall it.