



# INSTALLATION INSTRUCTIONS

Accessory  
SIDE UNDER SPOILERS  
P/N 08F04-TBA-100

Application  
2017 CIVIC  
4-DOOR

Publications No.  
**VERSION 1**  
Issue Date  
**SEP 2016**

## PARTS LIST

Left spoiler



Right spoiler



22 Seals



## TOOL AND SUPPLIES REQUIRED

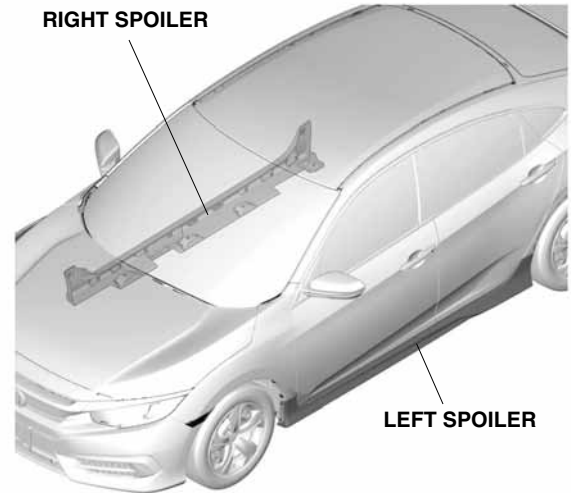
Phillips screwdriver

Stubby Phillips screwdriver

*The following tool is available through the Honda Tool and Equipment Program. On the iN, click on: Service > Service Bay > Tool and Equipment Program, then enter the number under "Search." Or, call 888-424-6857.*

- Plastic Trim Tool (T/N SILTRIMTL10)

## Illustration of the Side Under Spoilers on the Vehicle



QE32435BH

## INSTALLATION

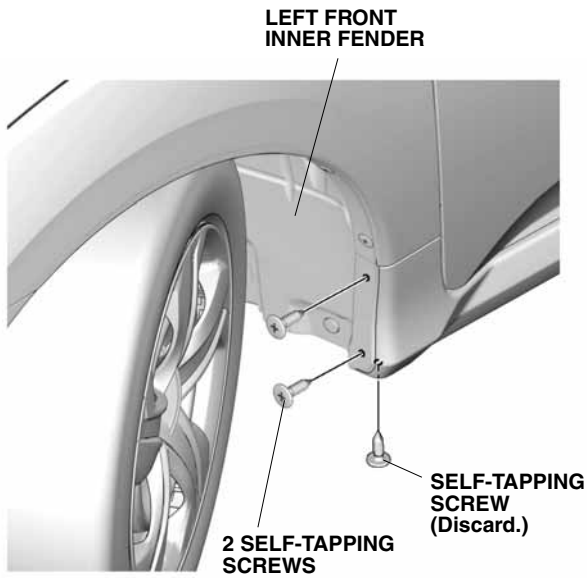
**Customer Information:** The information in this installation instruction is intended for use only by skilled technicians who have the proper tools, equipment, and training to correctly and safely add equipment to your vehicle. These procedures should not be attempted by "do-it-yourselfers."

### NOTE:

- These instructions show the left spoiler being installed. The same procedure applies to installing the right spoiler.
- Be careful not to damage the body paint finish.

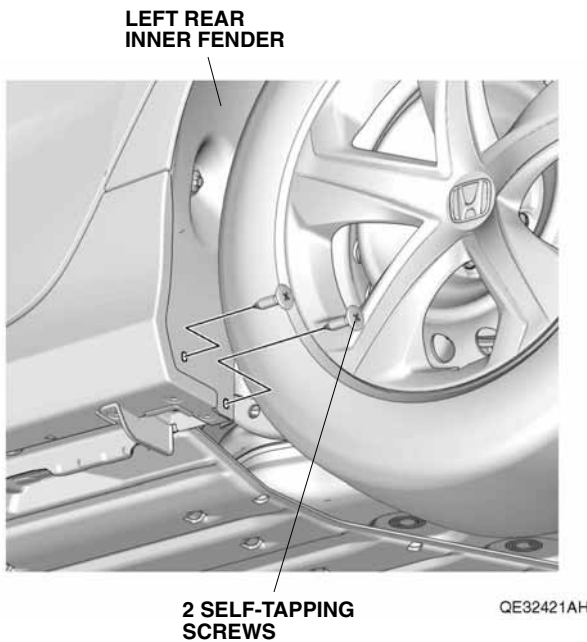
## Installing the Spoilers

1. Turn the steering wheel fully counterclockwise.



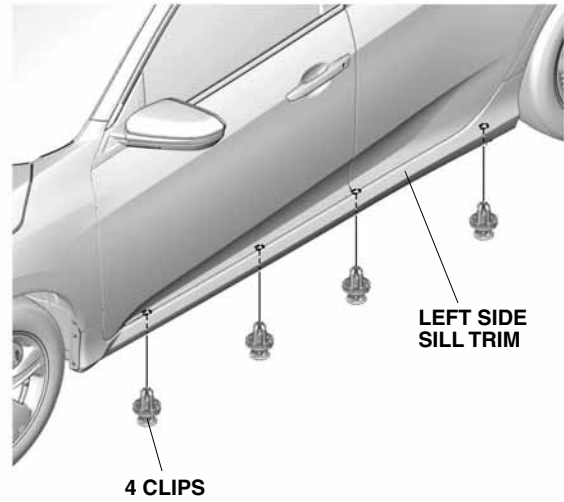
QE32420BH

2. Remove the three self-tapping screws from the left front inner fender.
3. Remove the two self-tapping screws from the left rear inner fender.



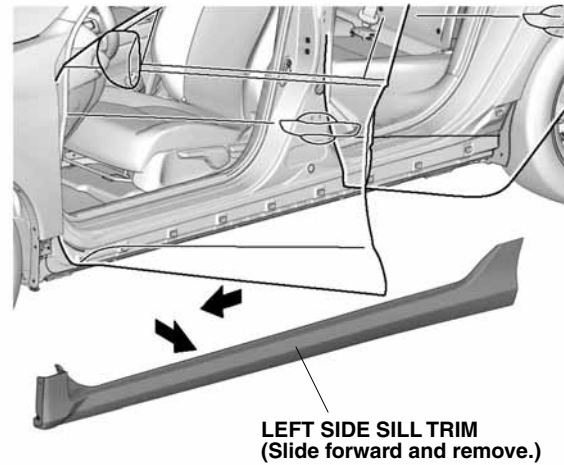
QE32421AH

4. Remove the four clips from the left side sill trim.



QE32422AH

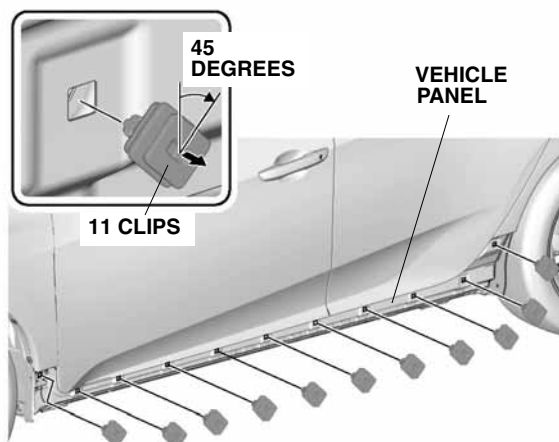
5. Open the left front and rear doors.



QE32423AH

6. Remove the left side sill trim.

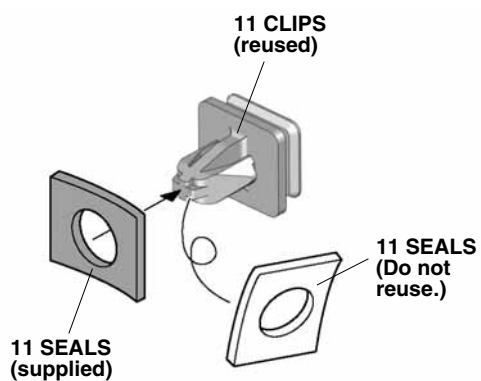
7. Close the left front and rear doors.



QE32424AH

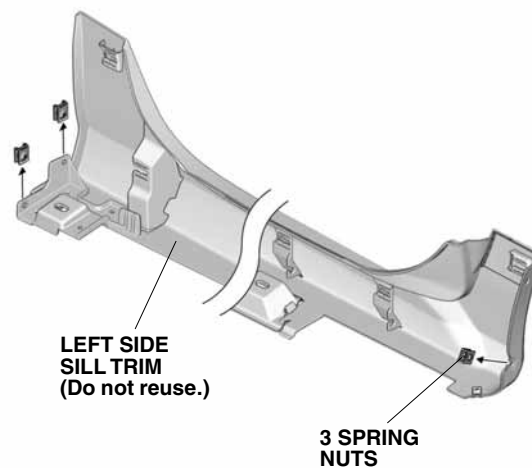
8. Remove the 11 clips from vehicle panel.

9. Remove and replace all 11 clip seals.



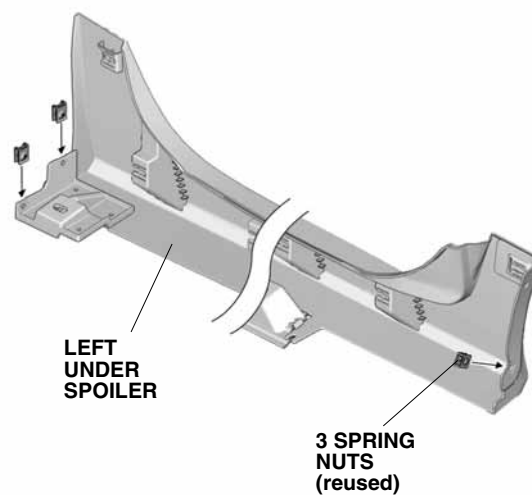
QE32425BH

10. Remove three spring nuts from the left side sill trim.



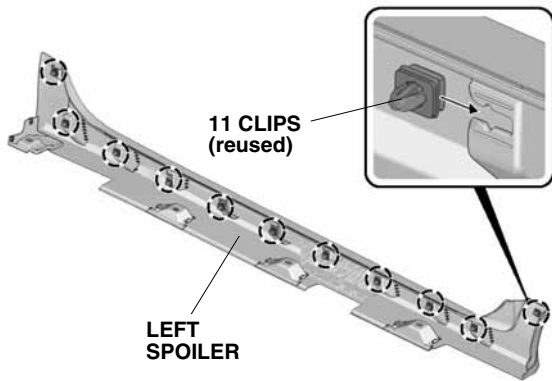
QE32426BH

11. Install the three spring nuts on the side under spoiler as shown.



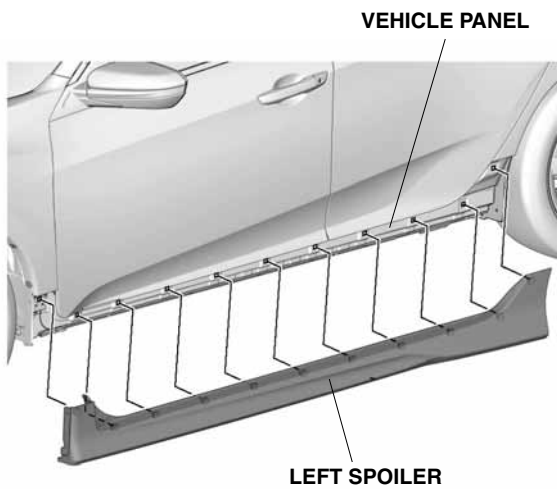
QE32428BH

12. Install 11 clips on the left spoiler.



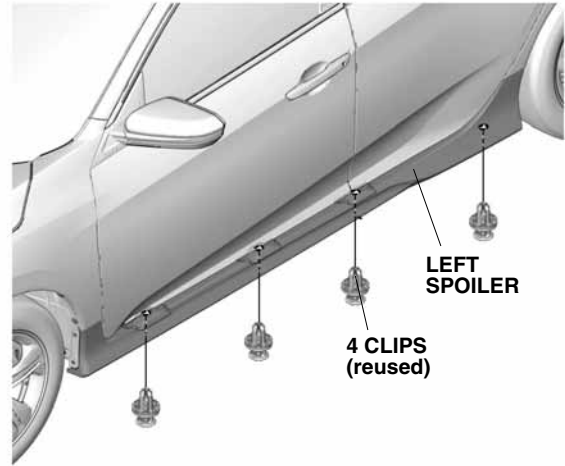
QE32430CH

13. Install the left spoiler on the vehicle panel.



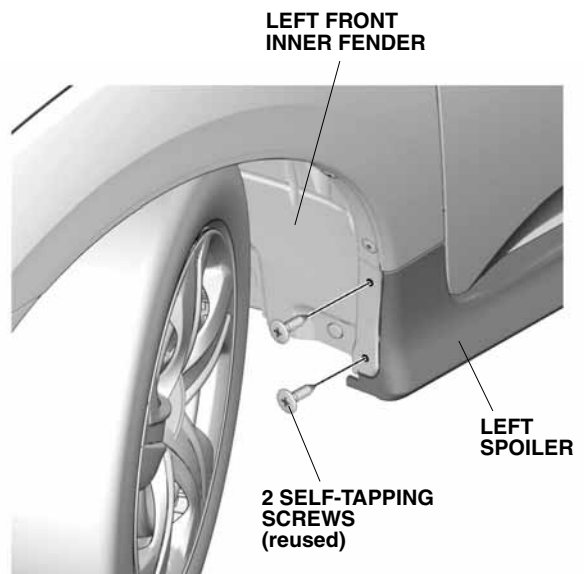
QE32431BH

14. Attach the left spoiler to the vehicle panel with four clips.



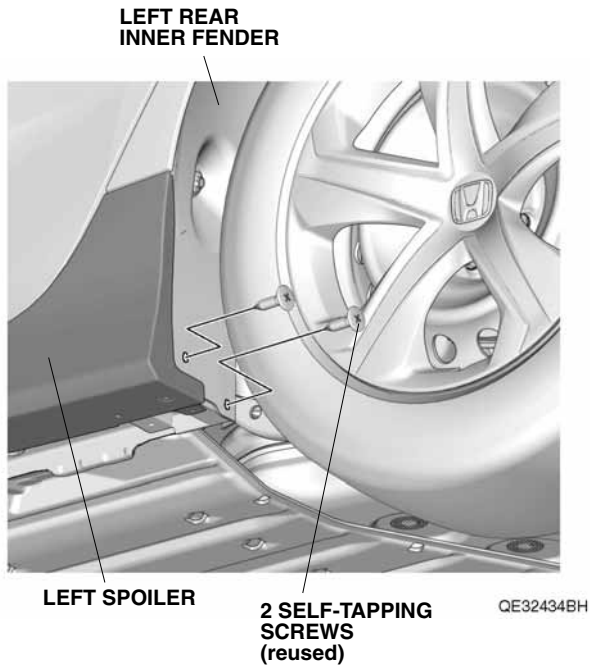
QE32432BH

15. Secure the front of the left spoiler with two self-tapping screws.



QE32433AH

16. Secure the back of the left spoiler with two self-tapping screws.



17. Turn the steering wheel fully clockwise and repeat steps 2 through 16 on the right side of the vehicle.