

**PARTS LIST**

Left rear under spoiler



Right rear under spoiler



10 Female clips


 2 Clips  
(Some may not be used)

 Washer  
(May not be used)


2 Alcohol swabs


**TOOLS AND SUPPLIES REQUIRED**

Phillips screwdriver

Flat-tip screwdriver

5 mm Hex wrench

Pushpin

Drill

3 mm, 6 mm, 8 mm, and 10 mm Drill bits

File

Masking tape

Diagonal cutters

Eye protection (face shield, safety goggles, etc.)

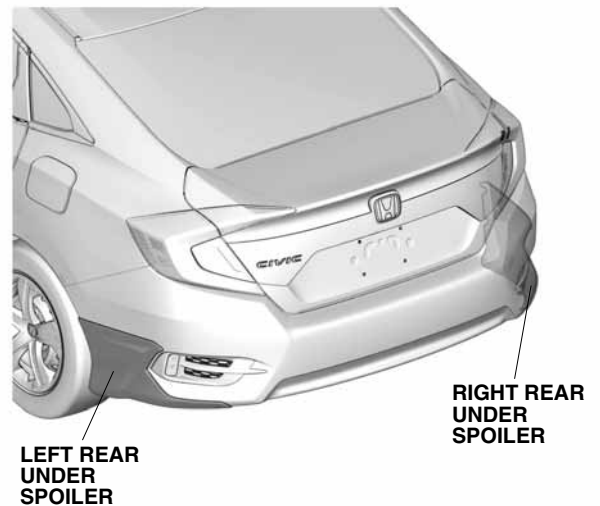
Blanket

Ruler

Tape

*The following tools are available through the Honda Tool and Equipment Program. On the iN, click on: Service > Service Bay > Tool and Equipment Program, then enter the number under "Search." Or, call 888-424-6857.*

- Rubber Roller (T/N MHLE54D)
- Trim Tool Set (T/N SOJATP2014)
- Plastic Trim Tool (T/N SILTRIMTL10)

**Illustration of the Rear Under Spoilers on the Vehicle**


QE31650AH

## INSTALLATION

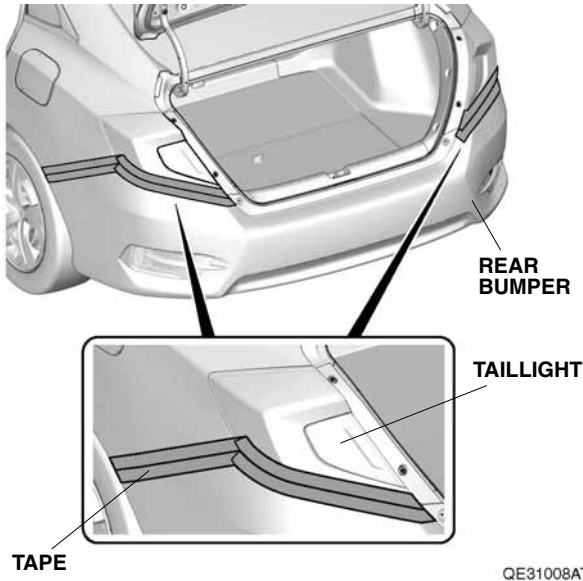
**Customer Information:** The information in this installation instruction is intended for use only by skilled technicians who have the proper tools, equipment, and training to correctly and safely add equipment to your vehicle. These procedures should not be attempted by “do-it-yourselfers.”

### NOTE:

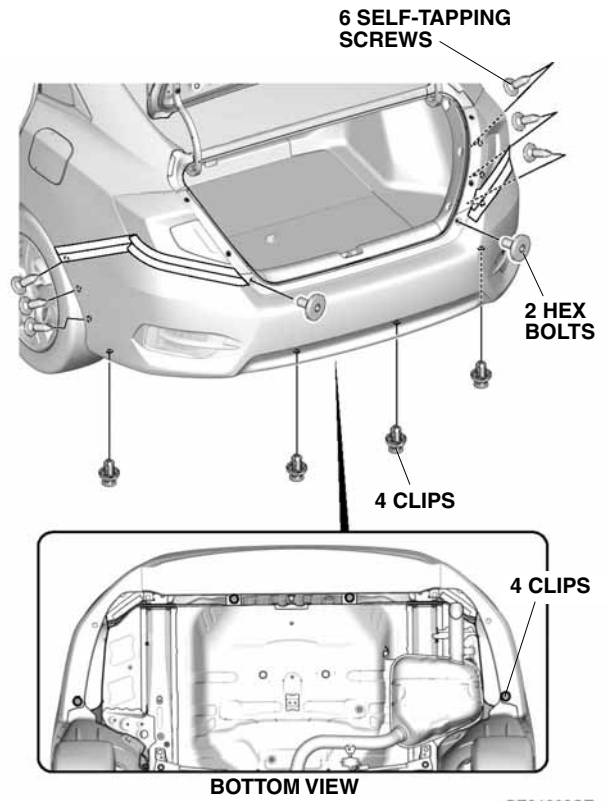
- Be careful not to damage the paint finish.
- This rear under spoilers kit should be installed only if the ambient air temperature is 15°C (60°F) or above.
- To allow the adhesive to cure, do not wash the vehicle for 24 hours. Make sure your customer is aware of this.

#### 1. Remove the rear bumper:

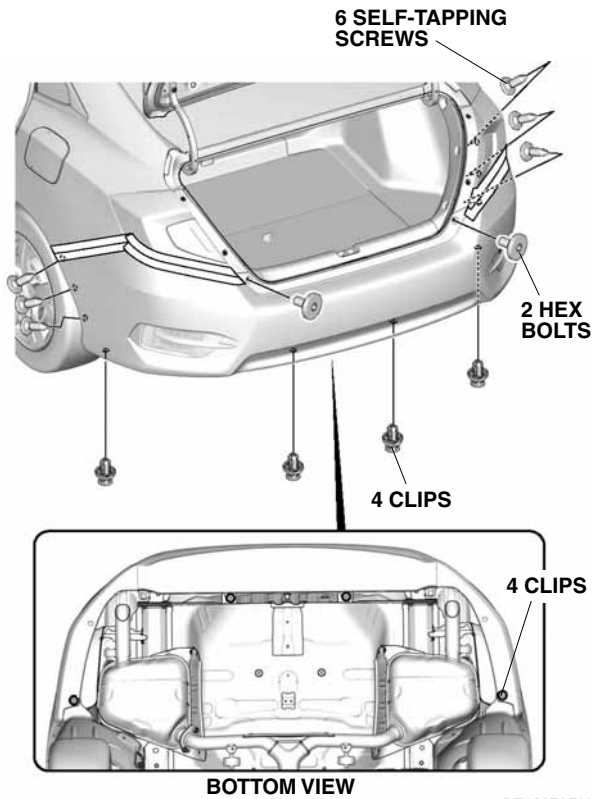
- Apply tape to the areas shown on each side.



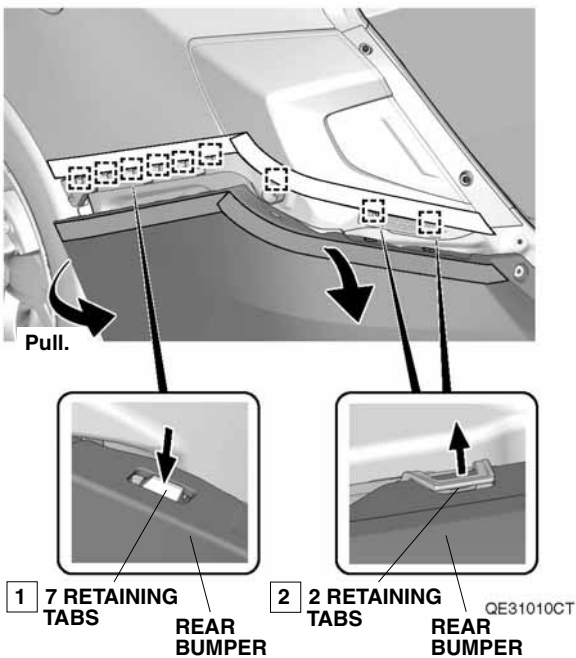
- With single muffler: Remove the two hex bolts, four clips, and six self-tapping screws.



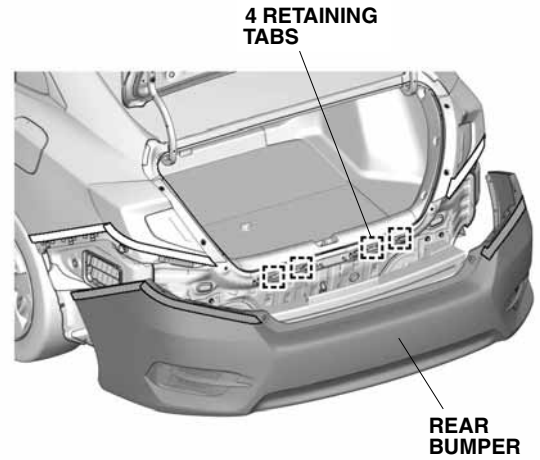
- With dual muffler: Remove two hex bolts, four clips, and six self-tapping screws.



- With the help of an assistant, release the nine retaining tabs on each side.  
NOTE: Remove the retaining tabs from the outside edge in the order shown. Make sure to remove the retaining tabs in the correct direction.



- With the help of an assistant, remove the rear bumper. Place the rear bumper on a blanket to prevent damage.

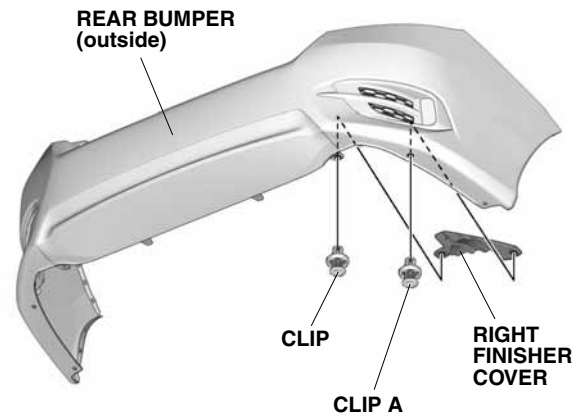


### Installing the Rear Under Spoilers

If the vehicle is equipped with a single muffler, continue with step 2. Otherwise, go to step 3.

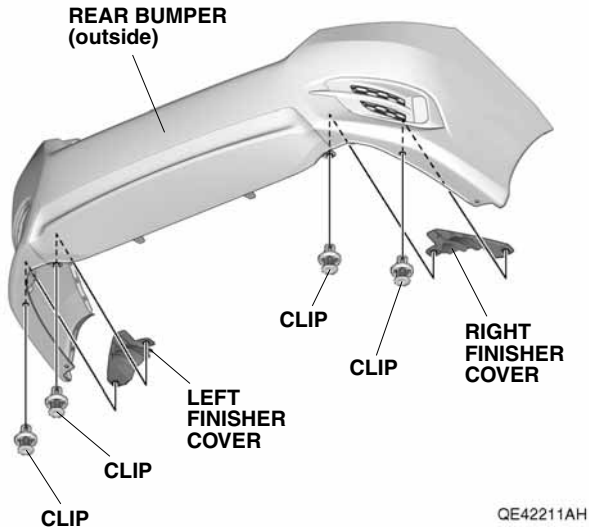
#### With single muffler

2. Remove the right finisher cover. Go to step 4.

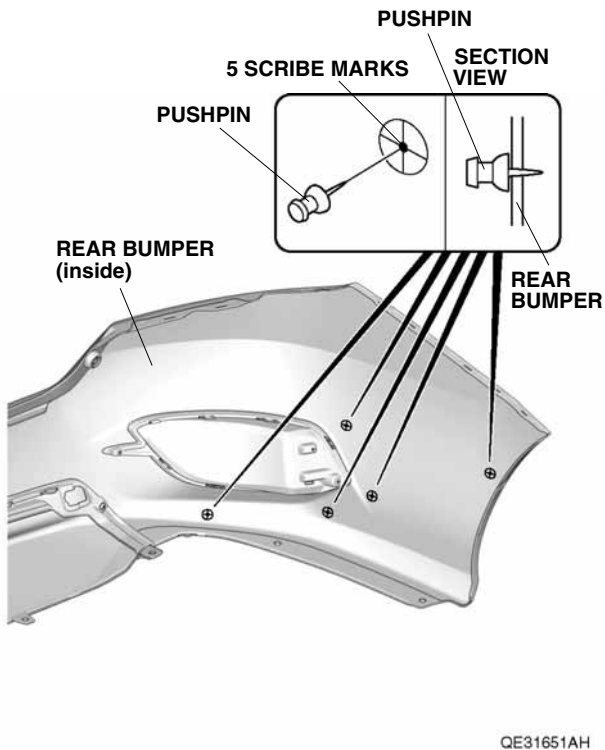


## With dual muffler

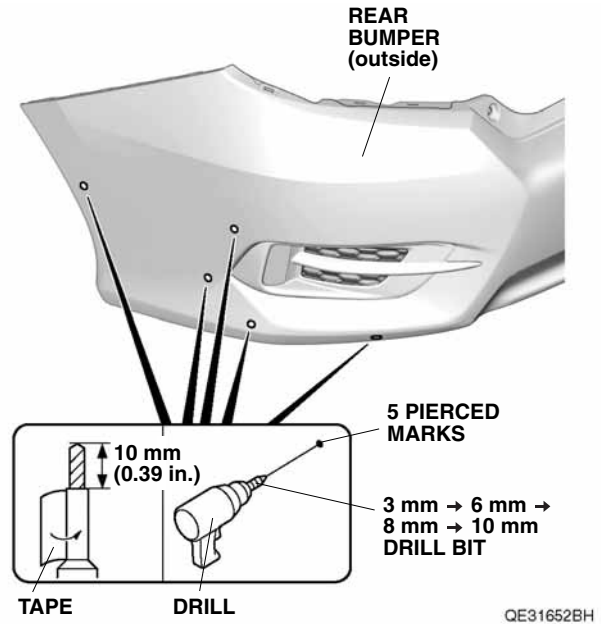
- Remove the left and right finisher covers.



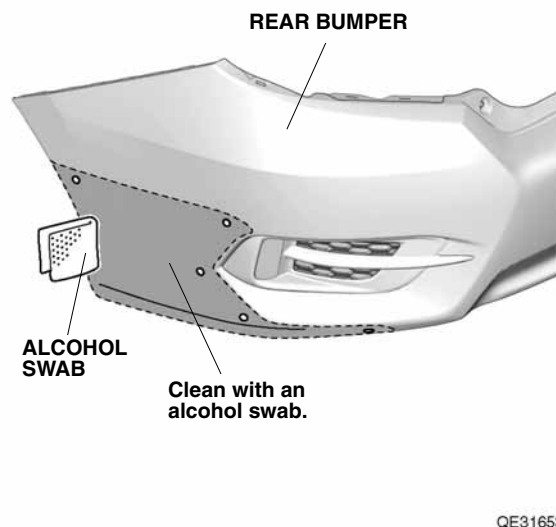
- Using a pushpin, pierce the center of the five scribe marks on the left side of the rear bumper.



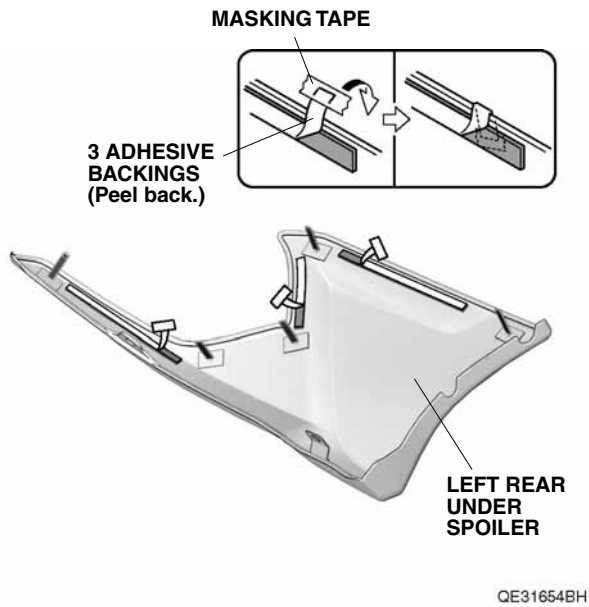
- While wearing eye protection, drill the five pierced marks. Start, with a 3 mm drill bit, a 6 mm drill bit, an 8 mm drill bit, and finish with a 10 mm drill bit.
  - Wrap tape around each drill bit 10 mm (0.39 in.) away from the tip or use a drill stop.



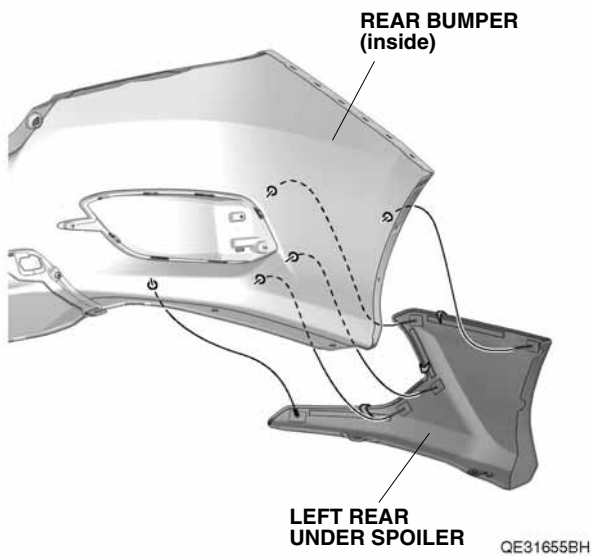
- Using a file, remove any burrs from the holes.
- Using an alcohol swab, thoroughly clean the rear bumper where the left rear under spoiler will attach.



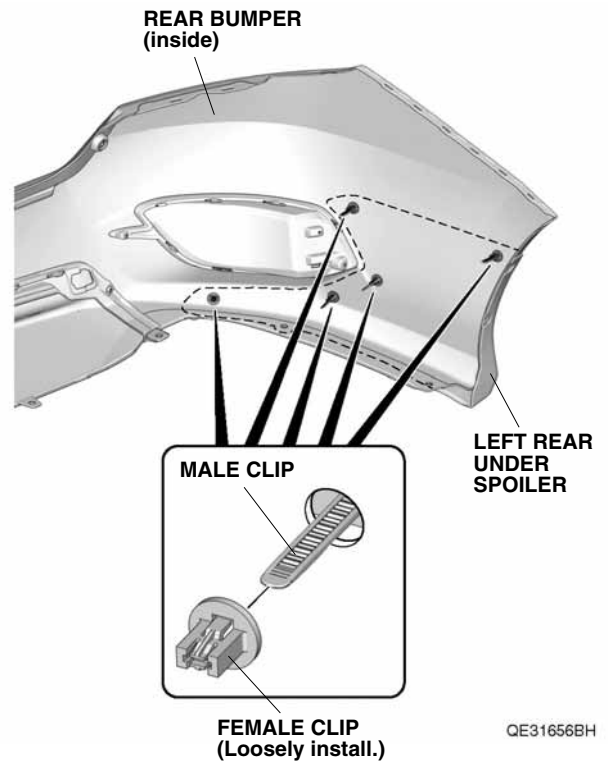
- Peel back the adhesive backings and tape them to the front surface of the left rear under spoiler with masking tape.



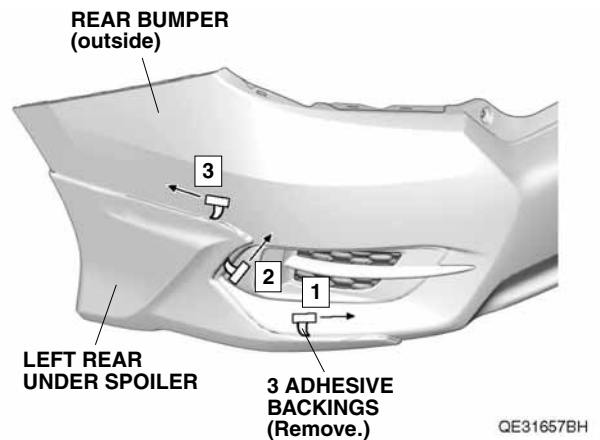
- Install the left rear under spoiler to the rear bumper.



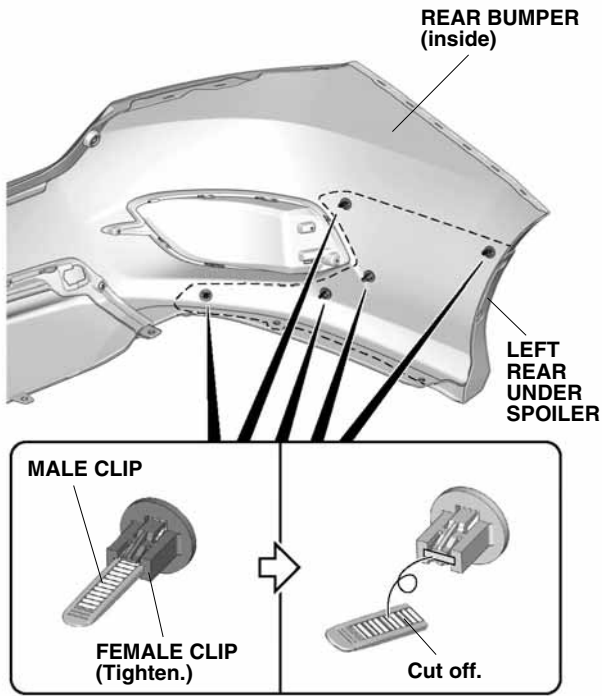
- Loosely install five female clips into each of the male clips.



- Remove three adhesive backings in the order shown. Press the left rear under spoiler firmly against the rear bumper with the palm of your hand.



- Tighten five female clips loosely installed in step 10. **NOTE:** Do not push the female clip too tight, or they may deform the left rear under spoiler. Readjust the female clips if necessary.



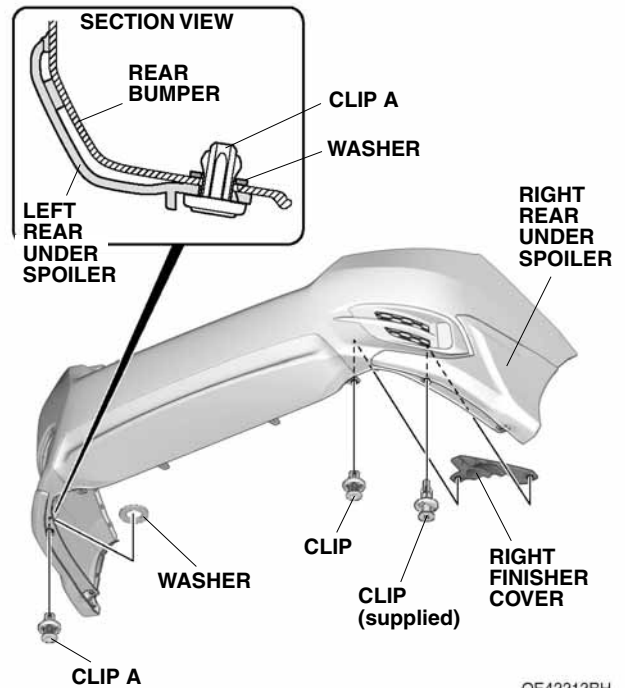
QE31658BH

- Using diagonal cutters, cut the excess off of a male clip.
- Repeat steps 4 through 13 to install the right rear under spoiler.

**If the vehicle is equipped with the single muffler, continue with step 15. Otherwise, go to step 16.**

### With single muffler

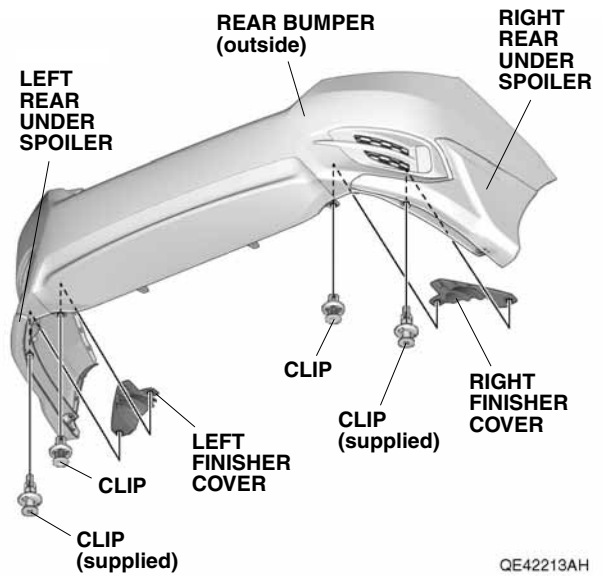
- Install the right finisher cover. Go to step 17.



QE42212BH

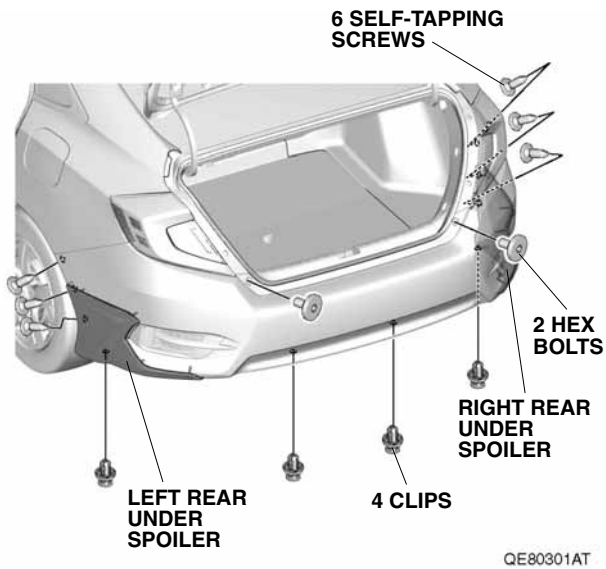
### With dual muffler

- Install the left and right finisher covers.



QE42213AH

17. With the help of an assistant, install the rear bumper and left and right rear under spoilers with two hex bolts, four clips, and six self-tapping screws.



18. Using a rubber roller, apply firm pressure while rolling, especially at the ends, to set the adhesive.

