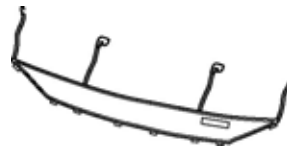


PARTS LISTNose mask
(hood section)Nose mask
(upper bumper section)Nose mask
(lower bumper section)

2 Snap-screws

**TOOLS AND SUPPLIES REQUIRED**

Stubby Phillips screwdriver

Utility knife

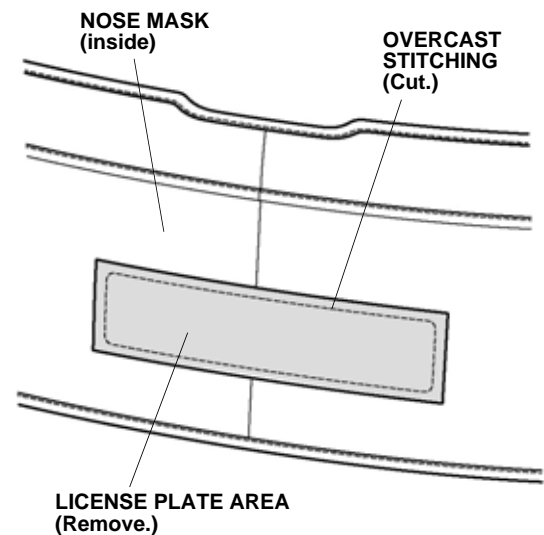
INSTALLATION**NOTE:**

- Make sure the vehicle and the nose mask are clean and completely dry before installation. If moisture under the nose mask is allowed to dry, it may cloud the paint. If the nose mask gets wet, remove it and allow it to air-dry completely.
- Make sure any repainted surfaces are cured.
- Clean the areas to be covered.
- Install the nose mask securely. If the nose mask starts to flap or comes loose while driving, safely pull off the road, stop the vehicle, and secure or remove the nose mask.

Displaying the Front License Plate

If your state law requires the display of both license plates, cut out the piece of the nose mask's lower bumper section that covers the front license plate:

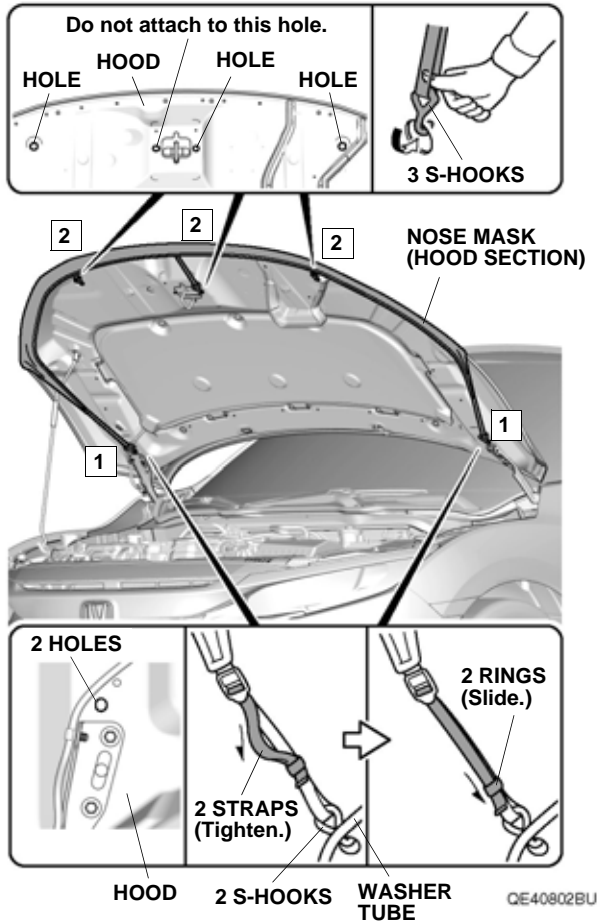
- Face the inside of the bumper section toward you.
- Carefully cut out the license plate area with utility knife at the top seam and remove the overcast stitching.



QE40801AU

Installing the Hood Section

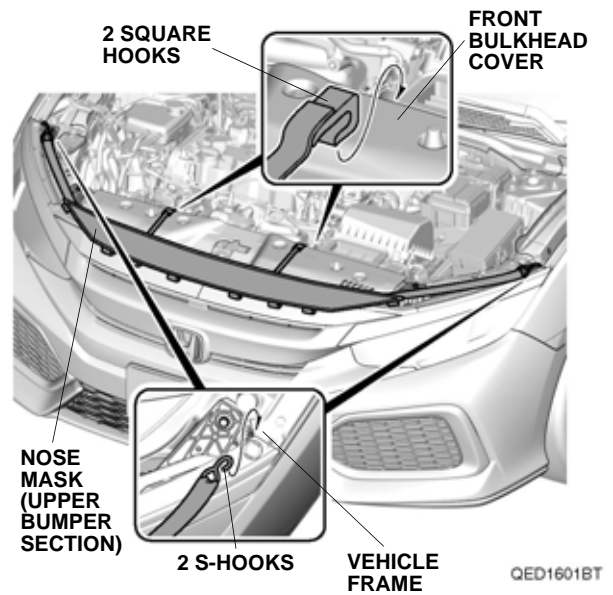
1. Open the hood. Fit the corners of the nose mask's hood section around the hood and adjust it so it fits smoothly over the edges. Attach one S-hook to each hole on the underside of the hood and route the nose mask under the washer tube on the right side. Then tighten the straps.



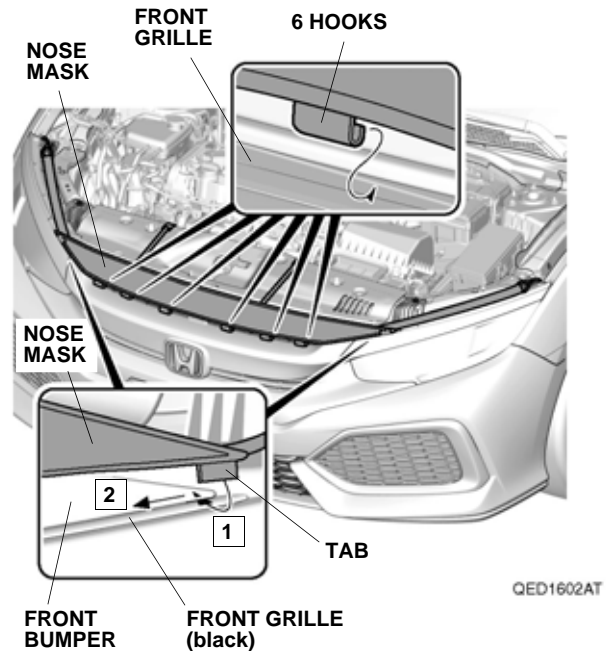
2. Attach the three S-hooks to the underside of the hood by inserting your finger into the belt of each hook.
NOTE: Pulling the hooks with excessive force can break the hook strap.

Installing the Upper Bumper Section

3. Attach the two square hooks on the nose mask's upper bumper section to the front bulkhead cover. Attach the two S-hooks to the vehicle frame.

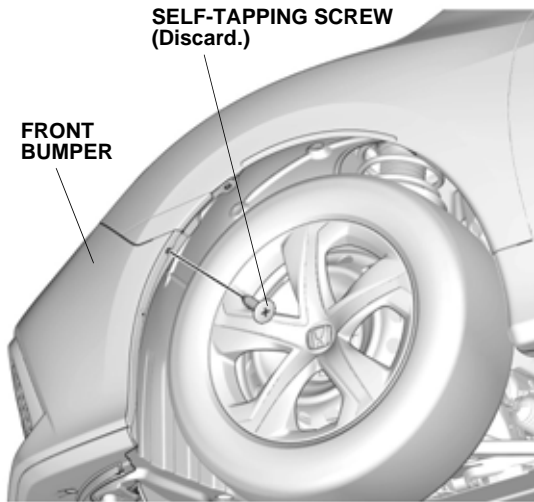


4. Attach the six hooks to the front grille opening. Insert the lower inner corner of the left tab between the front grille and front bumper, then push down and slide the tab until it's fully inserted between front grille and front bumper. Repeat for the tab on the other side.



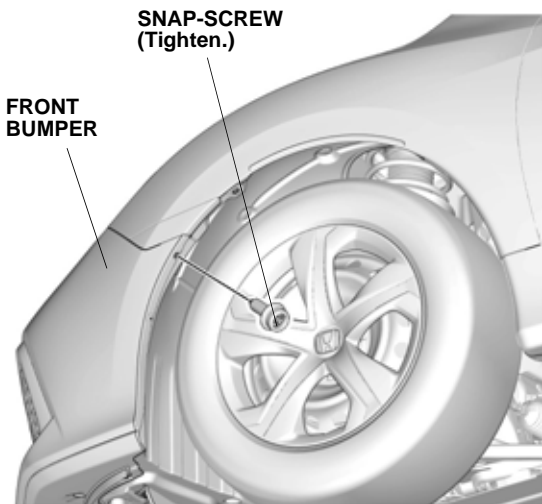
Installing the Lower Bumper Section

5. Remove and discard the self-tapping screw.



QED1603AT

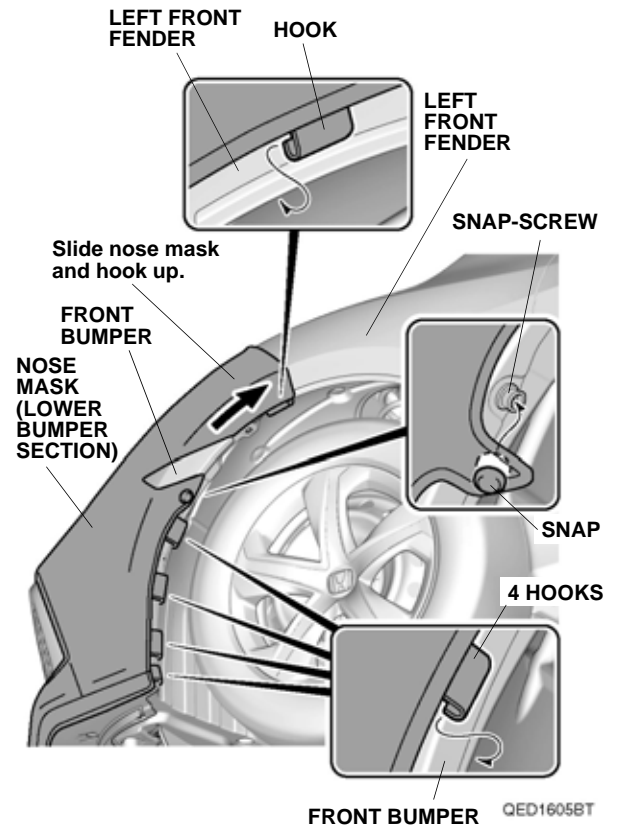
6. Install the snap-screw on the front bumper.



QED1604AT

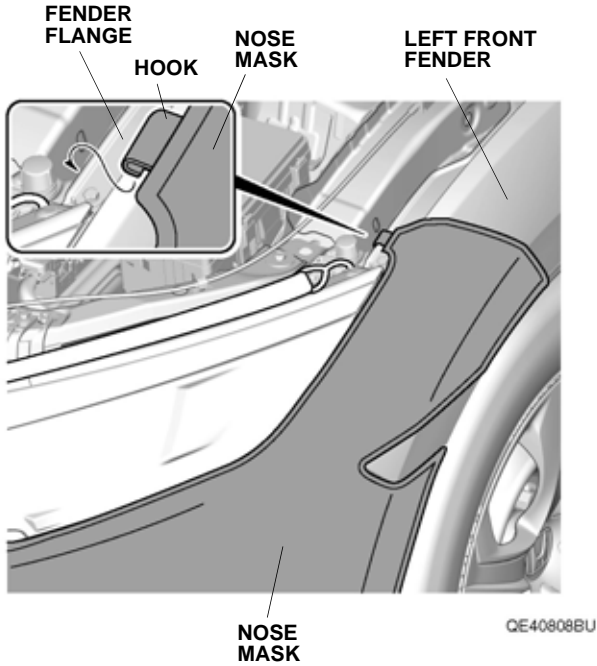
7. Repeat steps 5 and 6 on the right side of the vehicle.

8. Place the nose mask's lower bumper section on the vehicle as shown and smooth out any wrinkles. Then, snap the nose mask's lower bumper section onto the snap-screw.

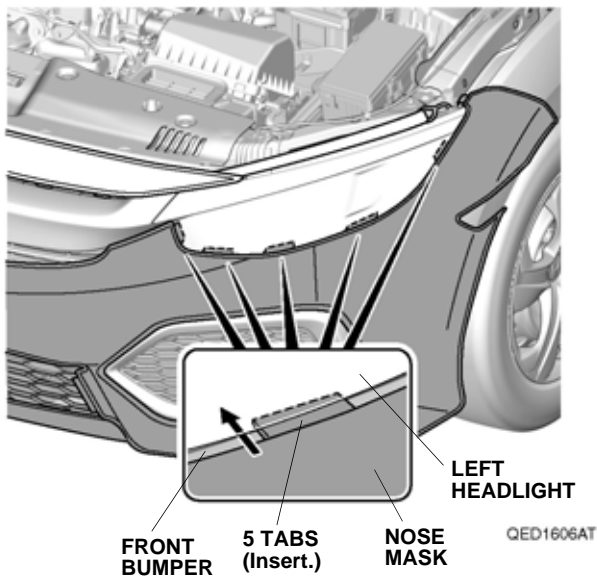


9. Attach the four hooks on the nose mask's lower bumper section to the edge of the front bumper.
10. Attach one hook to the flange on the left front fender by sliding it up until the hook attaches to the flange. The hook will slide down when the nose mask is stretched.
11. Repeat steps 8 through 10 on the right side of the vehicle.

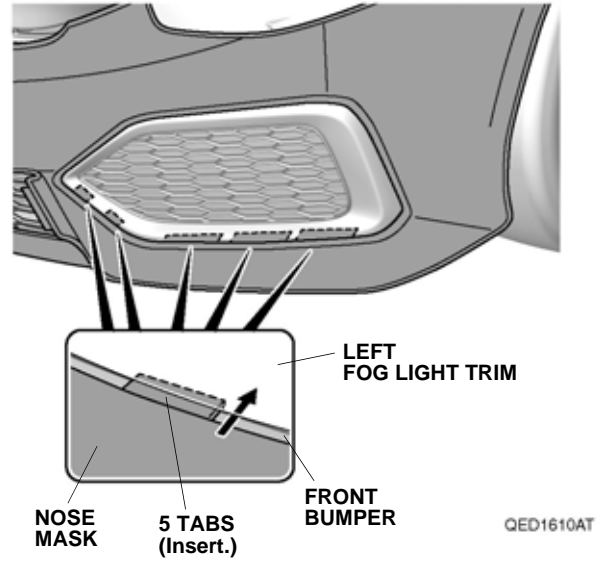
12. Attach one hook to the fender flange as shown.



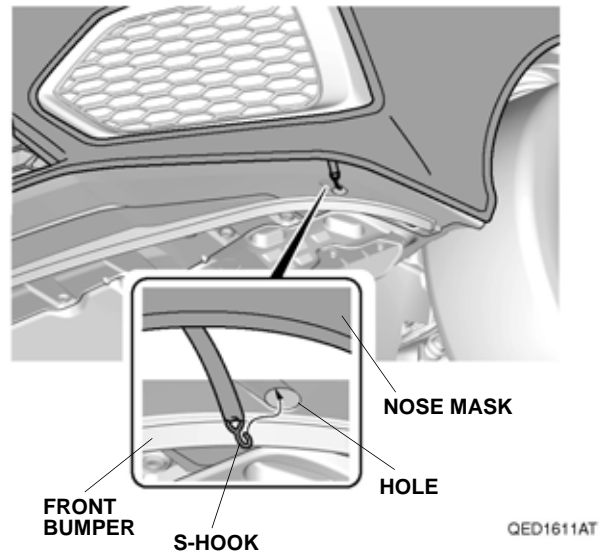
13. Insert the five tabs between the left headlight and front bumper.



14. Insert the five tabs between the left fog light trim and front bumper.

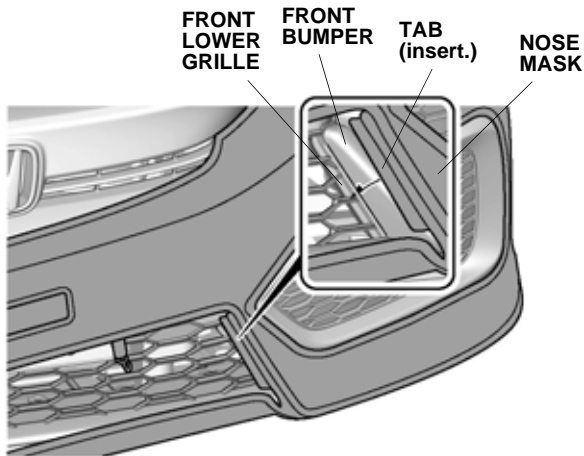


15. Attach one S-hook to the hole of the front bumper as shown.



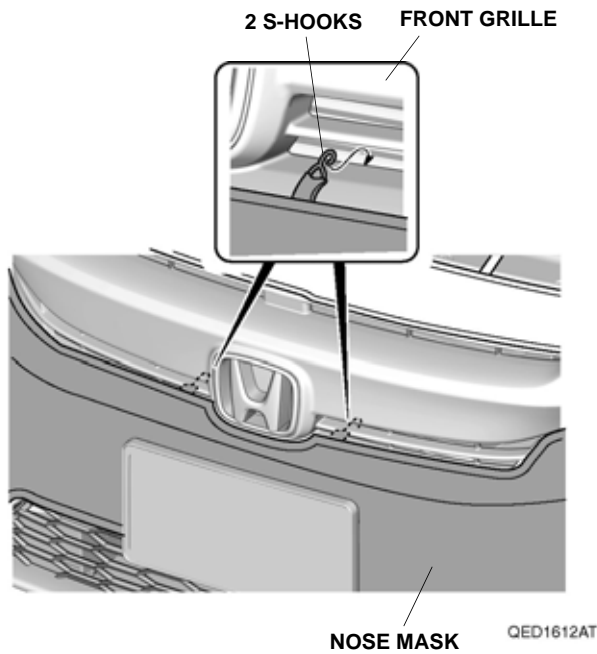
16. Repeat steps 12 through 15 on the right side of the vehicle.

17. On each side of the vehicle, insert one tab between the front lower grille and front bumper.



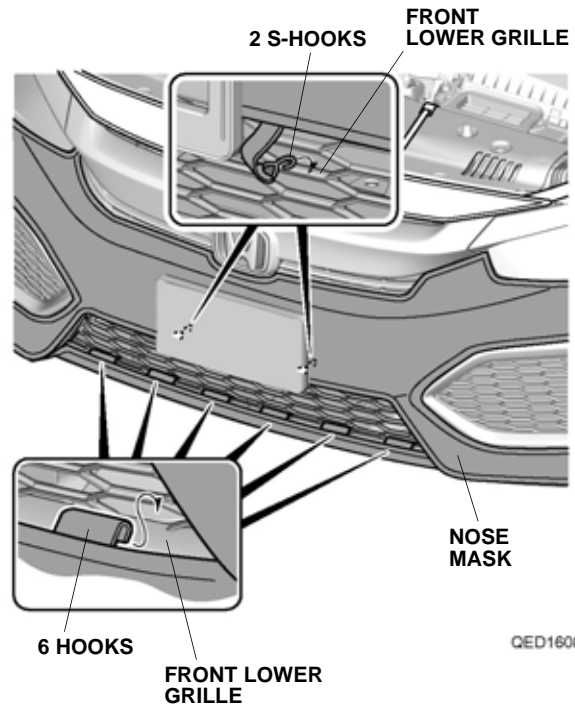
QED1607AT

18. Attach the two S-hooks to the inside edge of the front grille as shown.



QED1612AT

19. Attach the six hooks and two S-hooks to the inside edge of the front lower grille opening as shown.



QED1608CT

CLEANING THE NOSE MASK

Use a sponge or cloth with a solution of mild liquid dishwashing soap and water to clean the vinyl and the flannel backing. Rinse the mask completely with clean water and hang it to dry, out of direct sunlight. Make sure the mask is completely dry before you reinstall it.