



INSTALLATION INSTRUCTIONS

Accessory
DOOR EDGE GUARDS
P/N 08P20-TGG-100

Application
2017 CIVIC
5-DOOR

Publications No.
VERSION 1
Issue Date
SEP 2016

PARTS LIST

Left front door edge guard



Right front door edge guard



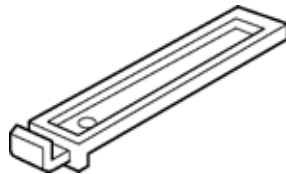
Left rear door edge guard



Right rear door edge guard



Seam sealant cutting tool



TOOLS AND SUPPLIES REQUIRED

- Rubber mallet
- Felt-tip pen
- Touch-up paint
- Ruler

INSTALLATION

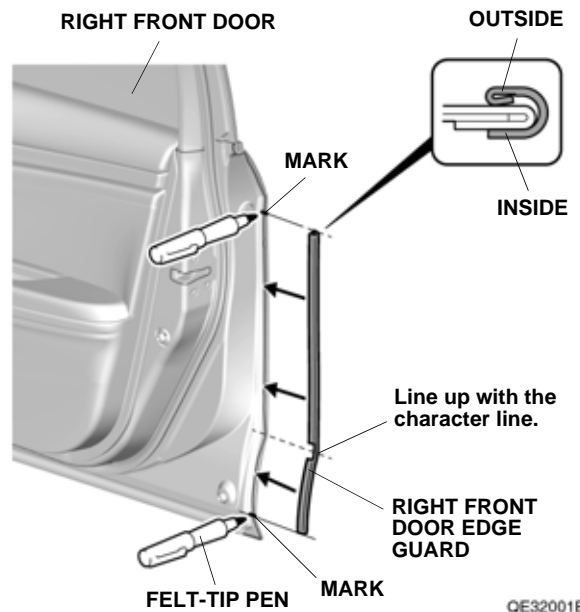
Customer Information: The information in this installation instruction is intended for use only by skilled technicians who have the proper tools, equipment, and training to correctly and safely add equipment to your vehicle. These procedures should not be attempted by “do-it-yourselfers.”

NOTE:

- If you are also installing body side moldings (sold separately), install them after you install the door edge guards.
- Be careful not to damage the body paint finish.
- Clean the areas to be covered.
- Identify each door edge guard by holding it up to the door and matching its contour with the door edge.

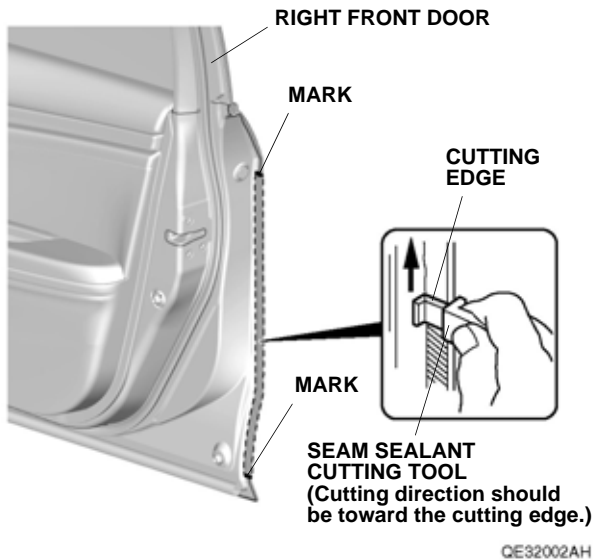
Installing the Front Door Edge Guards

1. Position the right front door edge guard on the right front door as shown.

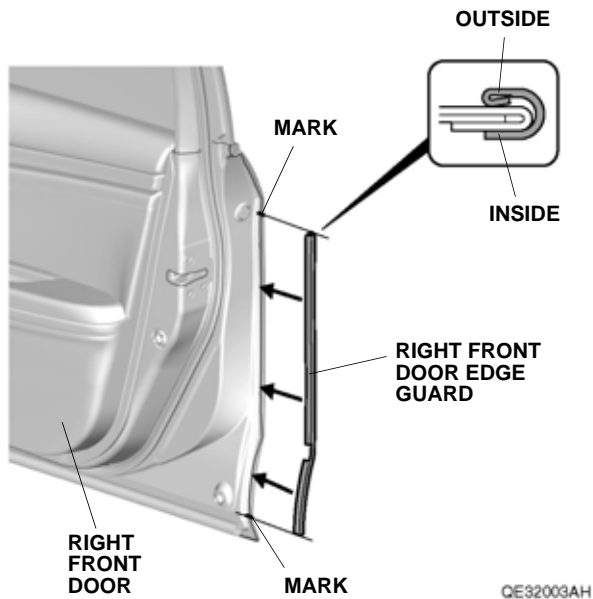


2. Mark the sealant at the top and bottom ending point of the right front door edge guard.
3. Remove the right front door edge guard.

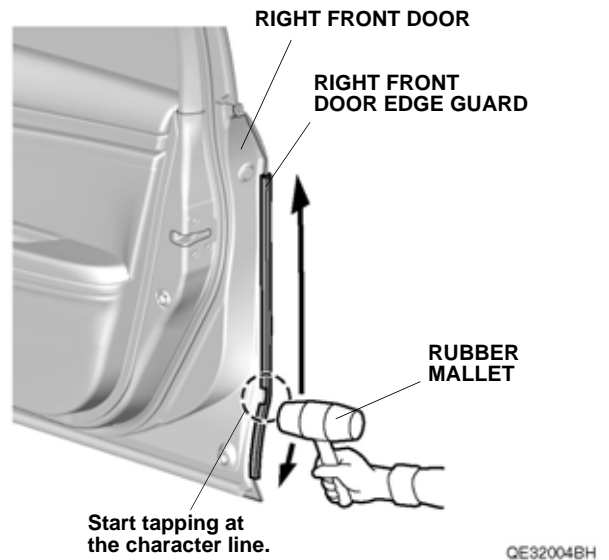
- Position the cutting edge of the seam sealant cutting tool against the right front door edge and trim the seam sealant from mark to mark.
NOTE: The cutting tool cuts in only one direction.



- Apply touch-up paint to the cut seam sealant area and let it dry.
- Position the right front door edge guard on the right front door edge and line it up with the marks made in step 2.



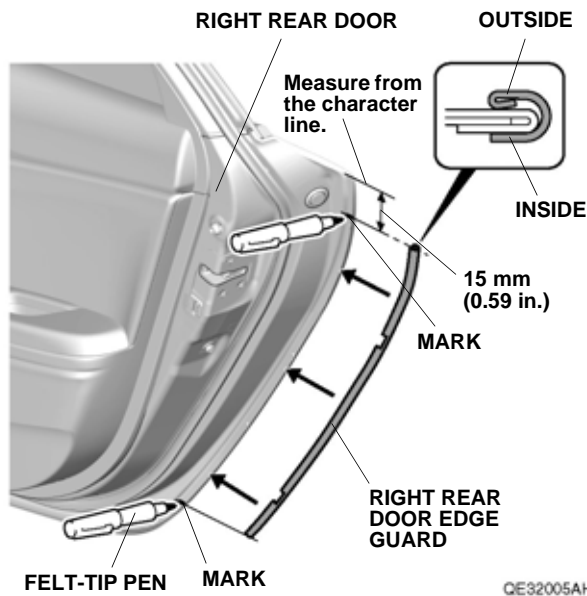
- Starting at the character line, tap the right front door edge guard into position with a series of light taps using a rubber mallet, then work up and down. Make sure the position of the right front door edge guard is correct.
NOTE: Once in place, do not remove, reposition, or reinstall the right front door edge guard or it will not hold securely.



- Repeat steps 1 through 7 to install the left front door edge guard.

Installing the Rear Door Edge Guards

- Position the right rear door edge guard on the right rear door as shown.

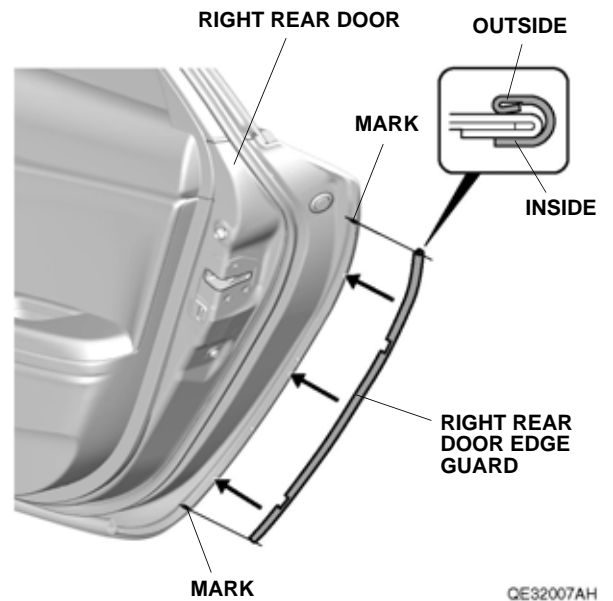


- Mark the sealant at the top and bottom ending point of the right rear door edge guard.
- Remove the right rear door edge guard.
- Position the cutting edge of the seam sealant cutting tool against the right rear door edge and trim the seam sealant from mark to mark.
NOTE: The cutting tool cuts in only one direction.

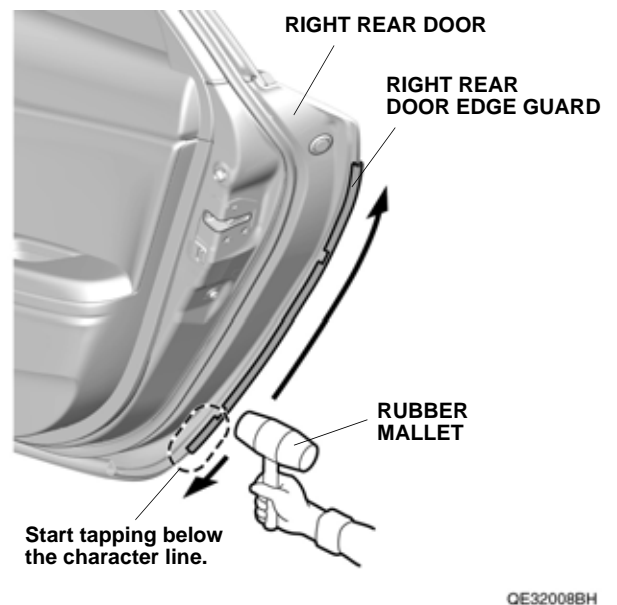


- Apply touch-up paint to the cut seam sealant area and let it dry.

- Position the right rear door edge guard on the right rear door edge and line it up with the marks made in step 10.



- Starting below the character line, tap the right rear door edge guard into position with a series of light taps using a rubber mallet, then work up and down.
NOTE: Once in place, do not remove, reposition, or reinstall the right rear door edge guard or it will not hold securely.



- Repeat steps 9 through 15 to install the left rear door edge guard.