



# INSTALLATION INSTRUCTIONS

<b>Accessory</b>  DOOR EDGE GUARDS P/N 08P20-TBG-100	<b>Application</b>  2017 CIVIC 2-DOOR	<b>Publications No.</b> <b>VERSION 1</b>
		<b>Issue Date</b> <b>SEP 2016</b>

## PARTS LIST

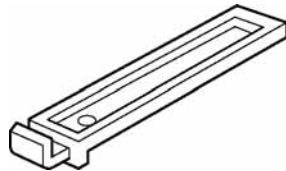
Left door edge guard



Right door edge guard



Seam sealant cutting tool



## TOOLS AND SUPPLIES REQUIRED

Rubber mallet

Felt-tip pen

Touch-up paint

Ruler

High-quality paste wax

## INSTALLATION

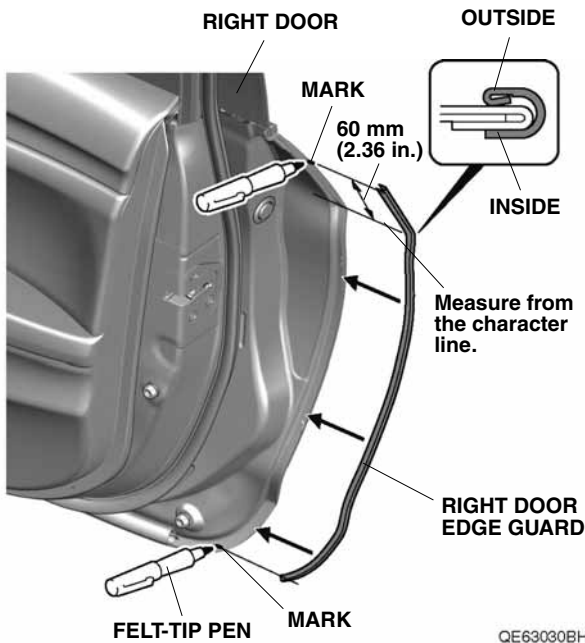
**Customer Information:** The information in this installation instruction is intended for use only by skilled technicians who have the proper tools, equipment, and training to correctly and safely add equipment to your vehicle. These procedures should not be attempted by “do-it-yourselfers.”

### NOTE:

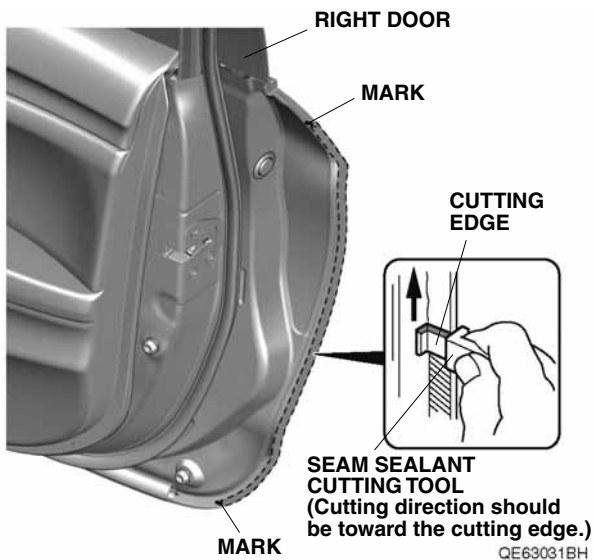
- If you are also installing side protectors (sold separately), install them after you install the door edge guards.
- Be careful not to damage the body paint finish.
- Clean and wax the areas to be covered with a high-quality paste wax.
- Identify each door edge guard by holding it up to the door and matching its contour with the door edge.

## Installing the Door Edge Guards

1. Position the right door edge guard on the right door as shown.

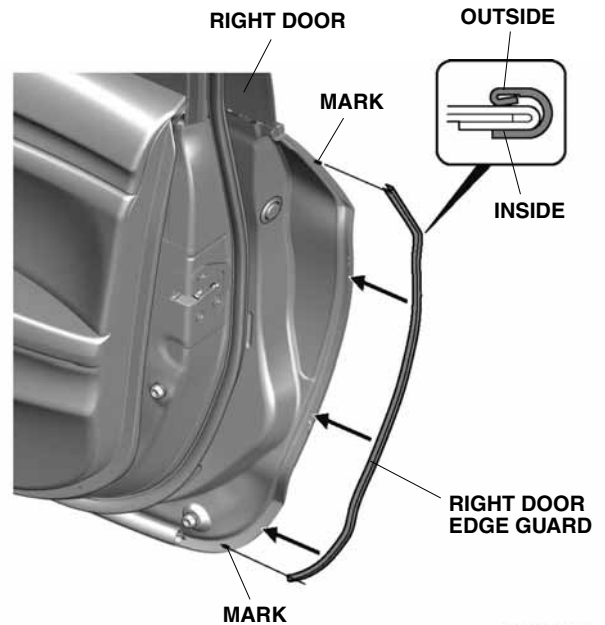


2. Mark the sealant at the top and bottom of right door edge guard.
3. Remove the right door edge guard.
4. Position the cutting edge of the seam sealant cutting tool against the right door edge, and trim the seam sealant from mark to mark.  
NOTE: The cutting tool cuts in only one direction.

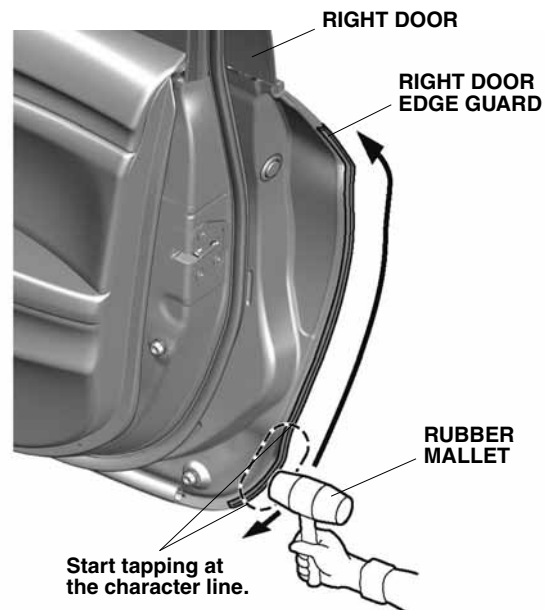


5. Apply touch-up paint to the cut seam sealant area, and let it dry.

6. Position the right door edge guard on the right door edge, and line up it the marks made in step 2.



7. Starting at the character line, tap the right door edge guard into position with a series of light taps using a rubber mallet, then work up and down. Make sure the position of the right door edge guard is correct.  
NOTE: Once in place, do not remove, reposition, or reinstall the right door edge guard or it will not hold securely.



8. Repeat steps 1 through 7 to install the left door edge guard on the left side of the vehicle.