

PARTS LIST

Left front side molding



Right front side molding



Left rear side molding



Right rear side molding



Front template



Rear template



4 Alcohol swabs


TOOLS AND SUPPLIES REQUIRED

Masking tape

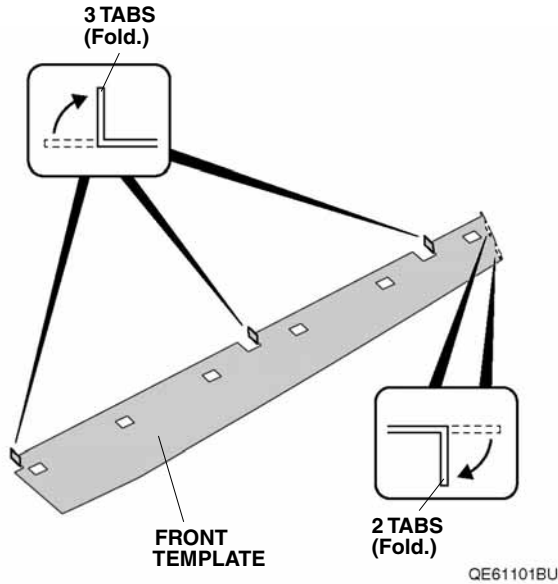
The following tool is available through the Honda Tool and Equipment Program. On the iN, click on: Service > Service Bay > Tool and Equipment Program, then enter the number under "Search." Or, call 888-424-6857.

- Rubber Roller (T/N MHLE54D)

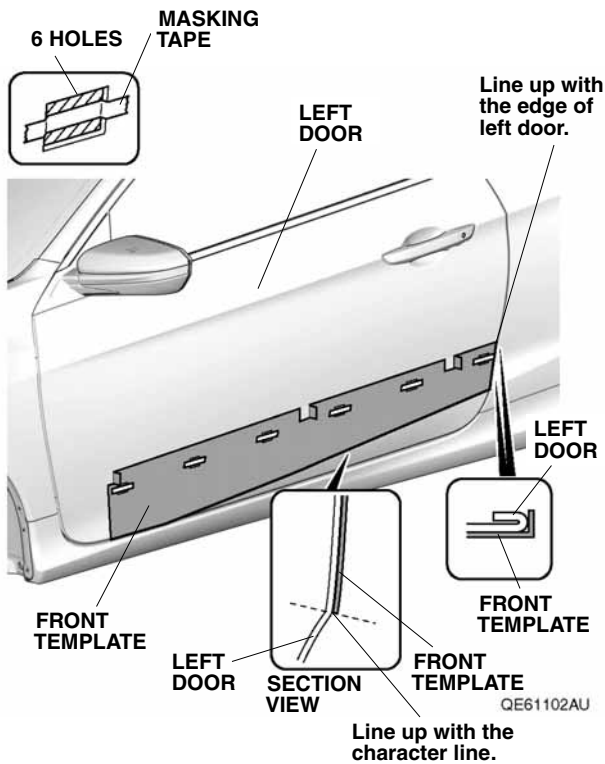
INSTALLATION
NOTE:

- If you are also installing door edge guards (sold separately), install them before you install the side moldings.
- If you are also installing door edge films (sold separately), install them before you install the side moldings.
- Be careful not to damage the body paint finish.
- This kit should be installed only if the ambient air temperature is 15°C (60°F) or above.
- To allow the adhesive to cure, do not wash the vehicle for 24 hours. Make sure your customer is aware of this.

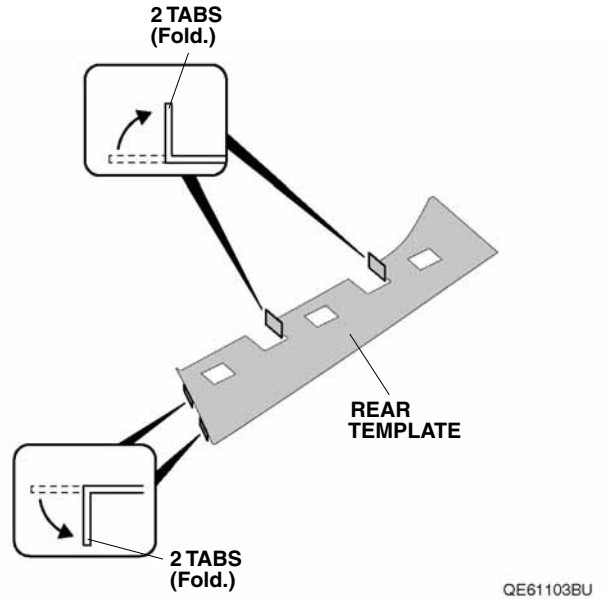
1. Fold the five tabs on the front template as shown.



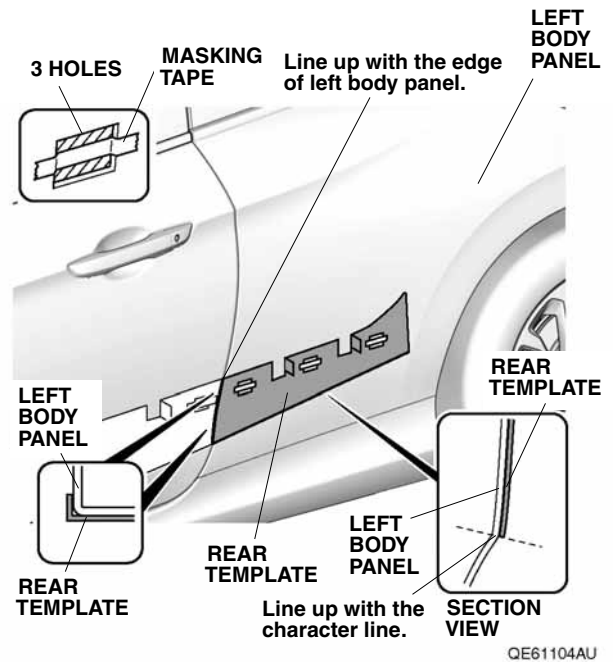
2. Insert the tabs on the front template between the left door and the left body panel. Line up the bottom of the front template with the character line of the left door, and attach it to the left door with masking tape.



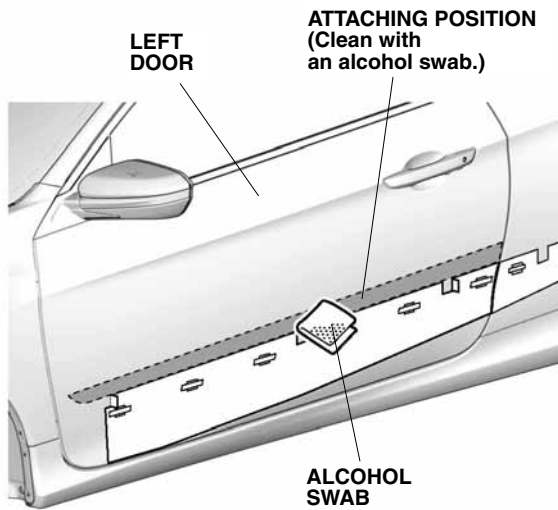
3. Fold the four tabs on the rear template as shown.



4. Insert the tabs on the rear template between the left door and the left body panel. Line up the bottom of the rear template with the character line of the left body panel, and attach it to the left body panel with masking tape.

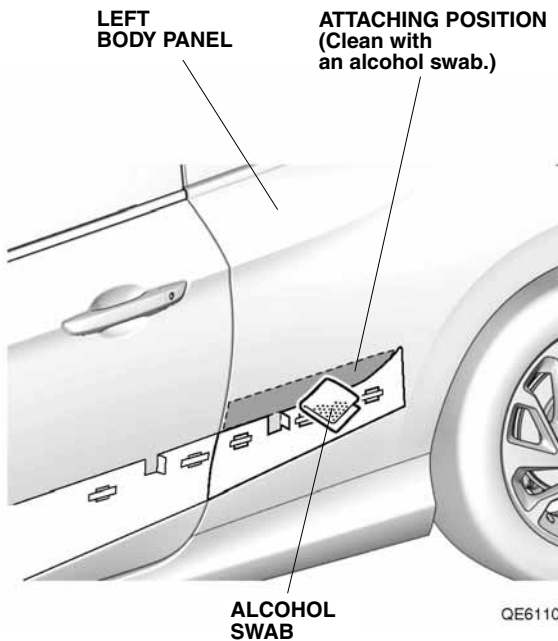


- Using an alcohol swab, thoroughly clean the left door where the left front side molding will attach.



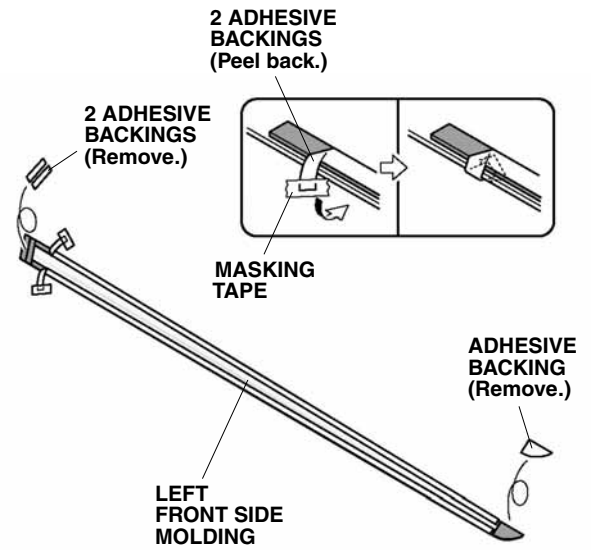
QE61105BU

- Using an alcohol swab, thoroughly clean the left body panel where the left rear side molding will attach.



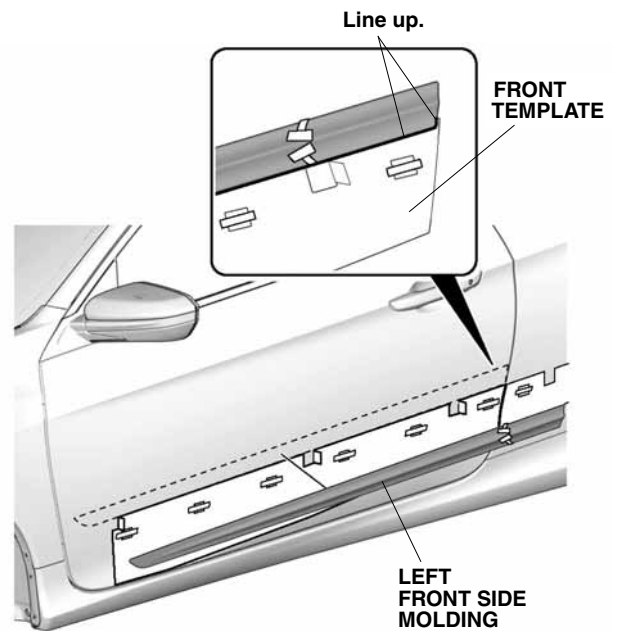
QE61106BU

- Peel back the adhesive backings and tape them to the front surface of the left front side molding. Remove the other adhesive backings.



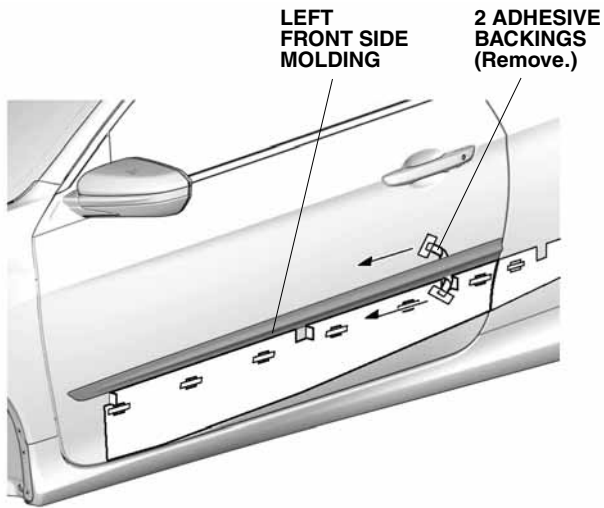
QE61107AU

- Line up the left front side molding with the front template and attach it to the left door as shown.



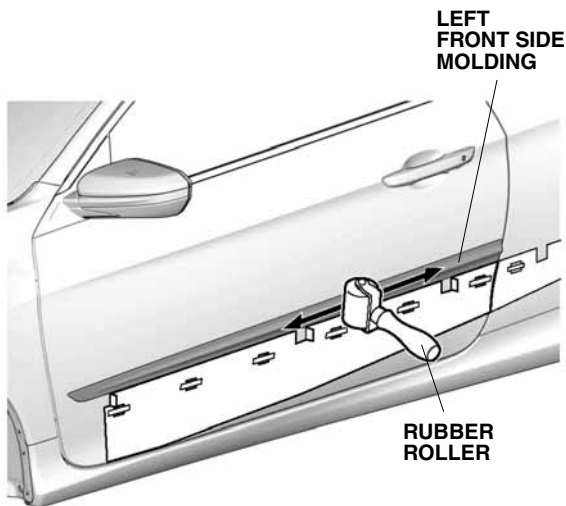
QE61108CU

9. While applying light pressure to the left front side molding, carefully remove the taped adhesive backings.



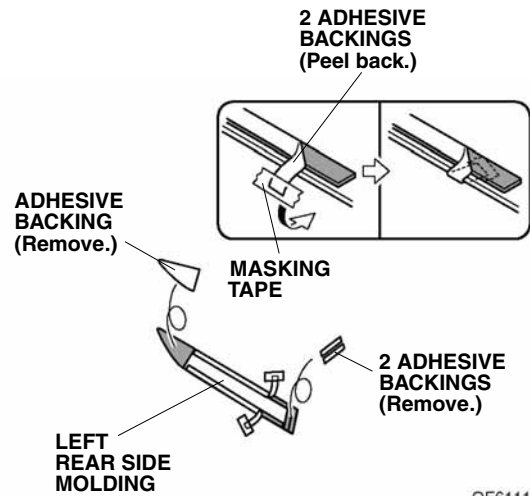
QE61109AU

10. Using a rubber roller, apply firm pressure while rolling, especially at the ends, to set the adhesive.



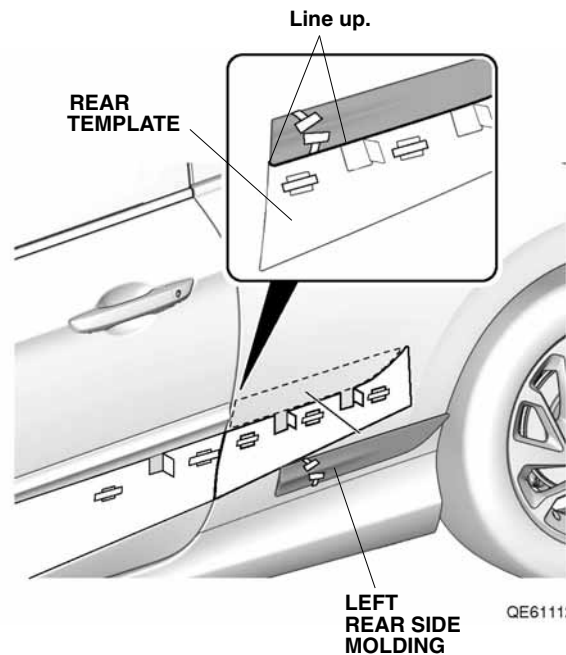
QE61110AU

11. Peel back the adhesive backings and tape them to the front surface of the left rear side molding. Remove the other adhesive backings.



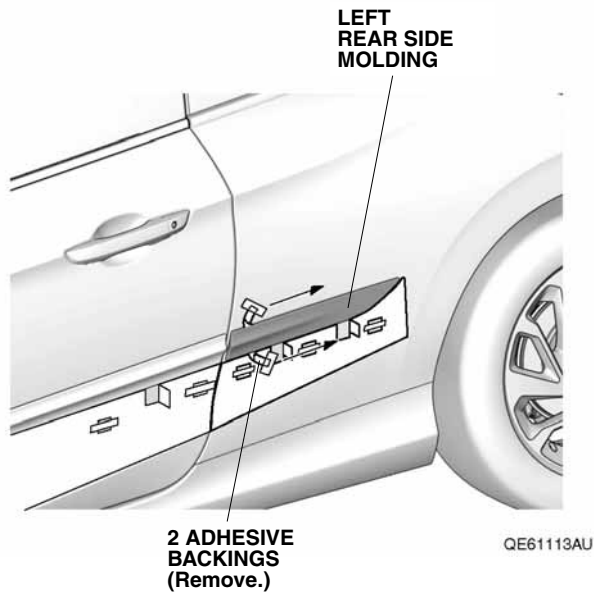
QE61111AU

12. Line up the left rear side molding with the rear template, and attach it to the left rear panel as shown.

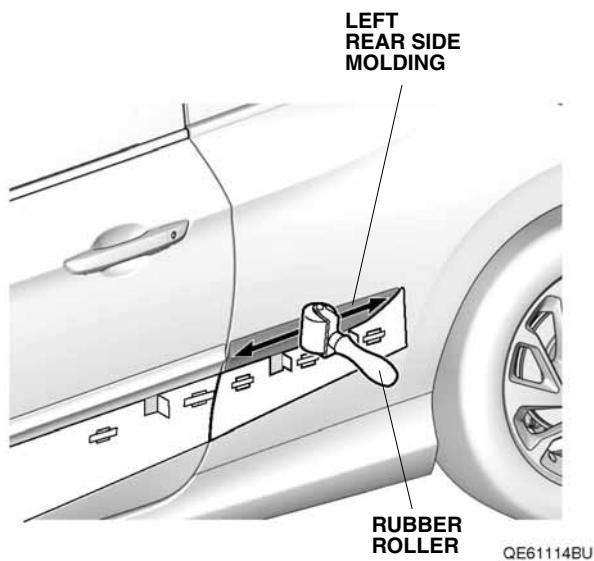


QE61112CU

13. While applying light pressure to the left rear side molding, carefully remove the taped adhesive backings.



14. Using a rubber roller, apply firm pressure while rolling, especially at the ends, to set the adhesive.



15. Remove the front and rear templates.
16. Turn the front and rear templates over, and repeat steps 1 through 15 to install the right side moldings.