



# INSTALLATION INSTRUCTIONS

Accessory  
**ROOF RACKS**  
P/N 08L02-TLA-100A

Application  
**2017 CR-V**

Publications No.  
**VERSION 1**  
Issue Date  
**OCT 2017**

## PARTS LIST

Front roof rack  
(Identification mark: FR)



Rear roof rack  
(Identification mark: RR)



2 Left roof rack covers  
(Identification mark: LH)



2 Right roof rack covers  
(Identification mark: RH)



8 Spacers



8 TORX nuts



2 Front rail covers  
(Identification mark: FR)  
(Give these parts to your customer)



2 Rear rail covers  
(Identification mark: RR)  
(Give these parts to your customer)



4 Rail cover caps  
(Give these parts to your customer)



Special tool  
(Give this part to your customer)



2 Clips



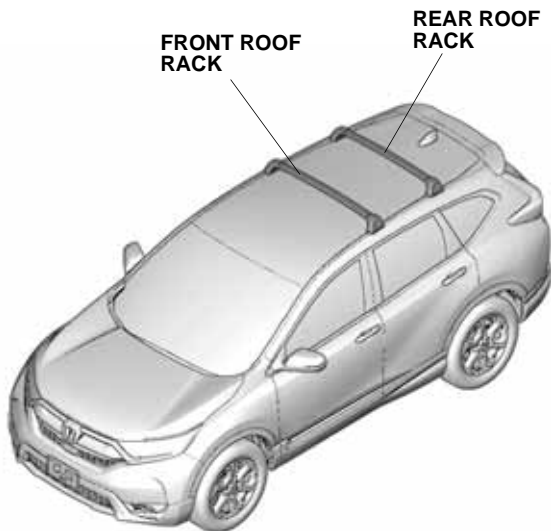
## TOOLS AND SUPPLIES REQUIRED

Putty knife  
Flat-tip screwdriver  
T-30 TORX bit  
Eye protection (face shield, safety goggles, etc.)  
File  
Felt-tip pen  
Blanket  
Approx. 120 mm height empty cardboard box  
Torque wrench  
Ruler  
Masking tape  
Tape measure  
Touch-up paint

*The following tools are available through the Honda Tool and Equipment Program. On the iN, click on: Service > Service Bay > Tool and Equipment Program, then enter the number under "Search." Or, call 888-424-6857.*

- Plastic Trim Tool (T/N SILTRIMTL10)
- Trim Tool Set (T/N SOJATP2014)
- Air Saw (T/N AT192A)

### Illustration of the Roof Racks on the Vehicle



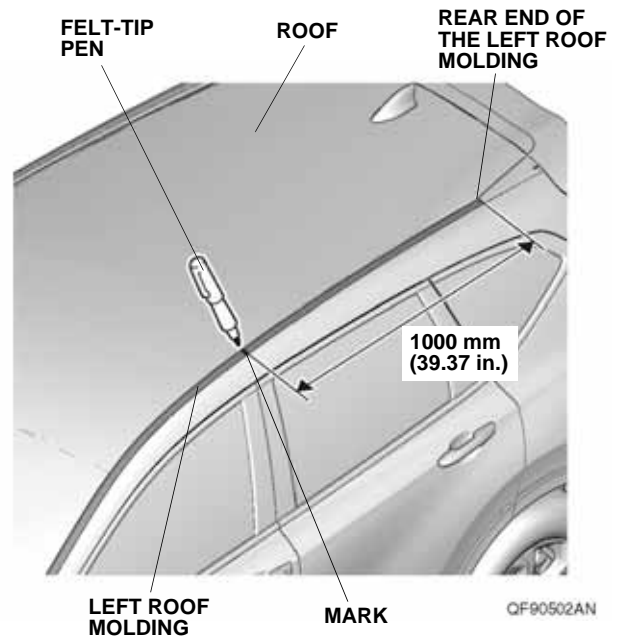
QF90501AN

## INSTALLATION

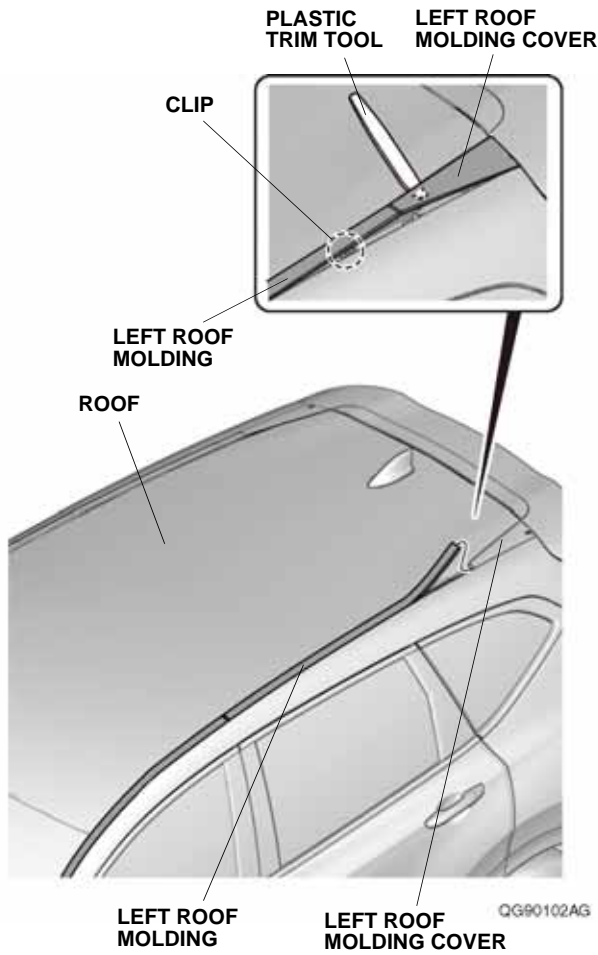
**Customer Information:** The information in this installation instruction is intended for use only by skilled technicians who have the proper tools, equipment, and training to correctly and safely add equipment to your vehicle. These procedures should not be attempted by "do-it-yourselfers."

### NOTE:

- Be extremely careful not to damage the roof and other finished surfaces of the body when installing the roof racks.
  - The weight of the cargo must not exceed the maximum weight capacity of 45 kg (100 lbs).
1. Measure from the rear end of the left roof molding. Using a felt-tip pen, mark the left roof molding as shown.

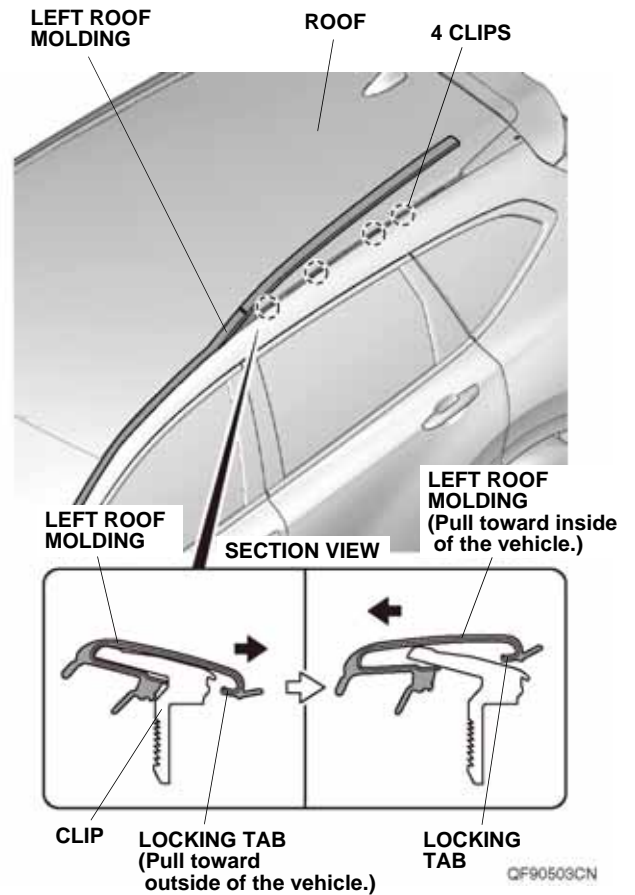


- Using a plastic trim tool, pry up on the left roof molding cover as shown.  
NOTE: Be careful not to damage the retaining tab of the left roof molding cover.

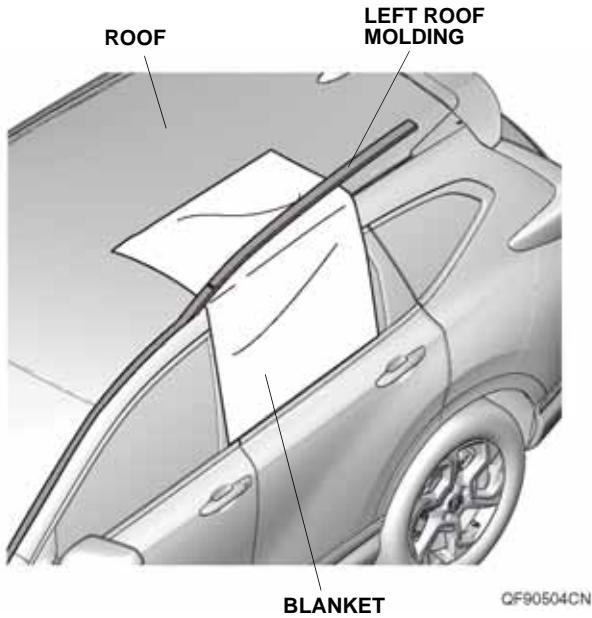


- Remove the left roof molding from the left roof molding cover. Install the left roof molding cover.

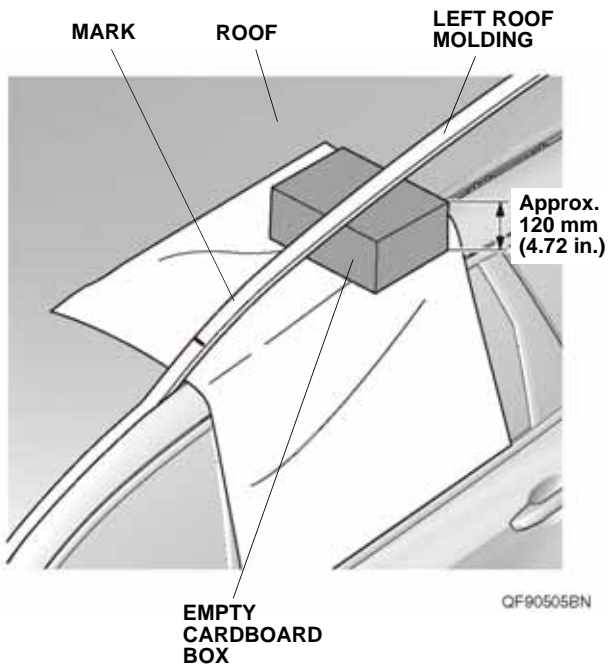
- Pull the left roof molding toward the outside of the vehicle to release the locking tabs, and then press the locking tabs toward the inside of the vehicle, and release the left roof molding from the vehicle. When releasing the left roof molding, start from the rear of the vehicle, and work toward the front.



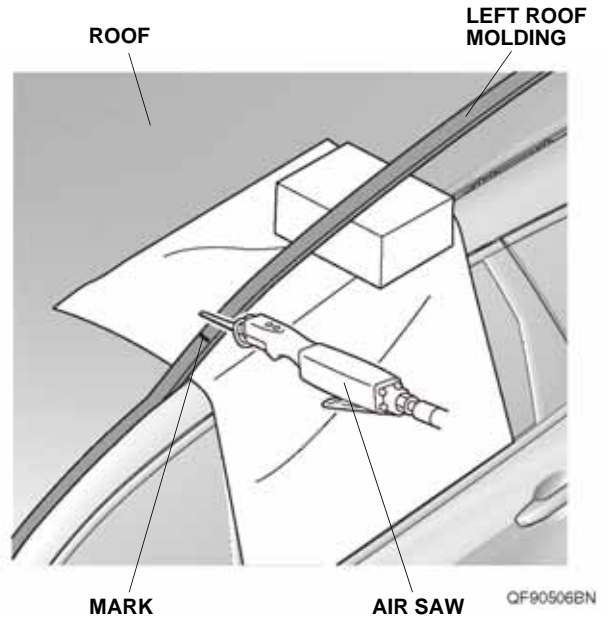
- Place a blanket over the roof under the left roof molding. Be careful not to deform the left roof molding when measuring and cutting.



- Place an empty cardboard box under the left roof molding near the mark.

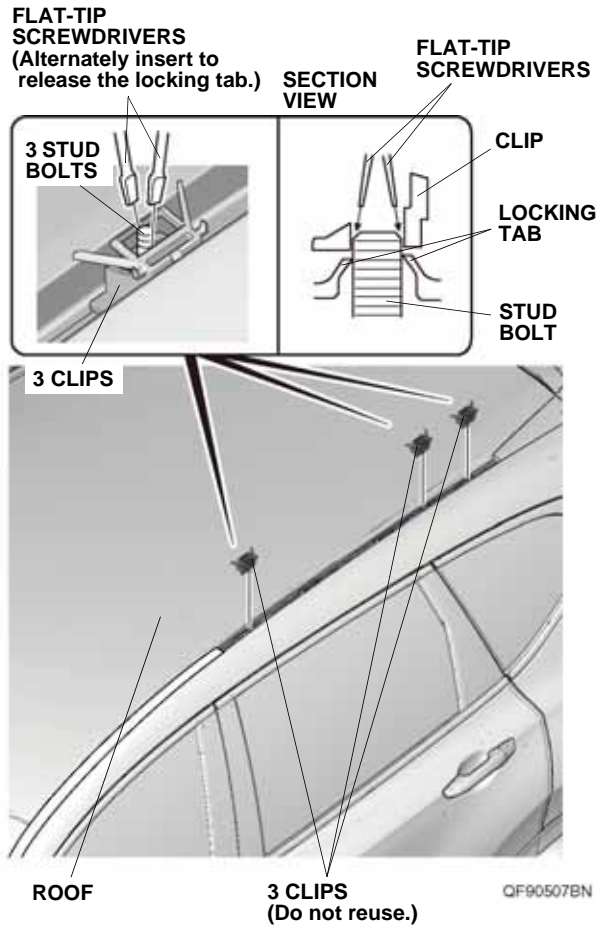


- While wearing eye protection, use an air saw to cut the left roof molding at the mark. Do not use a cutting wheel or shears to cut the left roof molding; that can damage the left roof molding. With the help of an assistant, hold the rear edge of the left roof molding while cutting. Remove any burrs.

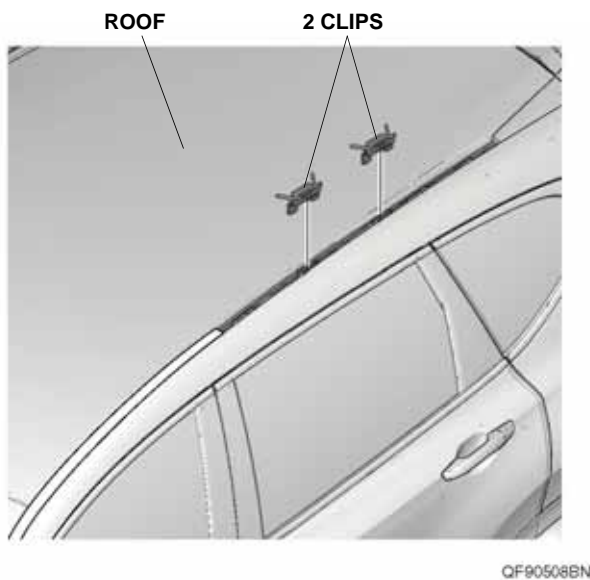


- Remove the cardboard box and blanket.

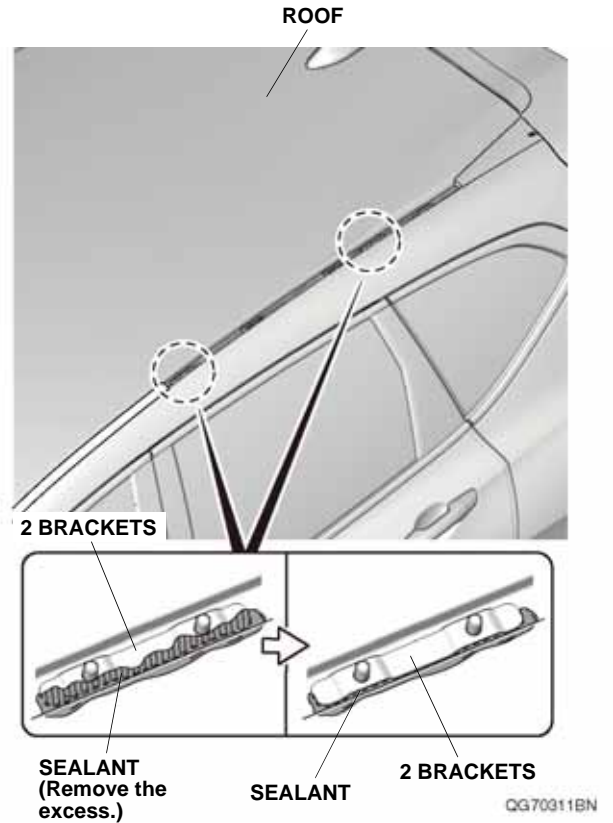
- Insert two flat-tip screwdrivers alternately between three clips and three stud bolts as shown. While pulling on the clips, release the locking tabs on the clips from the groove on the stud bolts notch by notch, and remove the clips.



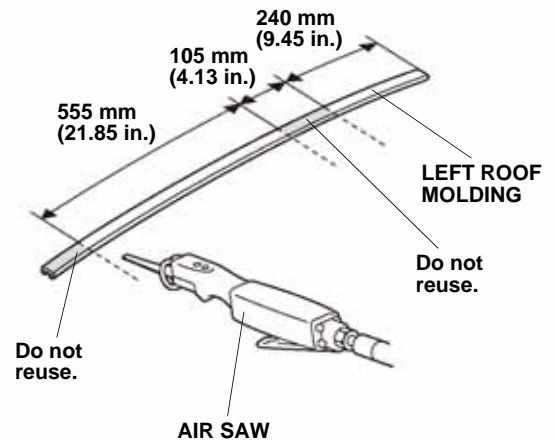
- Remove two clips from the roof.



- Using a putty knife, remove any excess sealant from the roof brackets. Apply touch-up paint to the remove sealant area, and allow the touch-up paint to dry thoroughly.

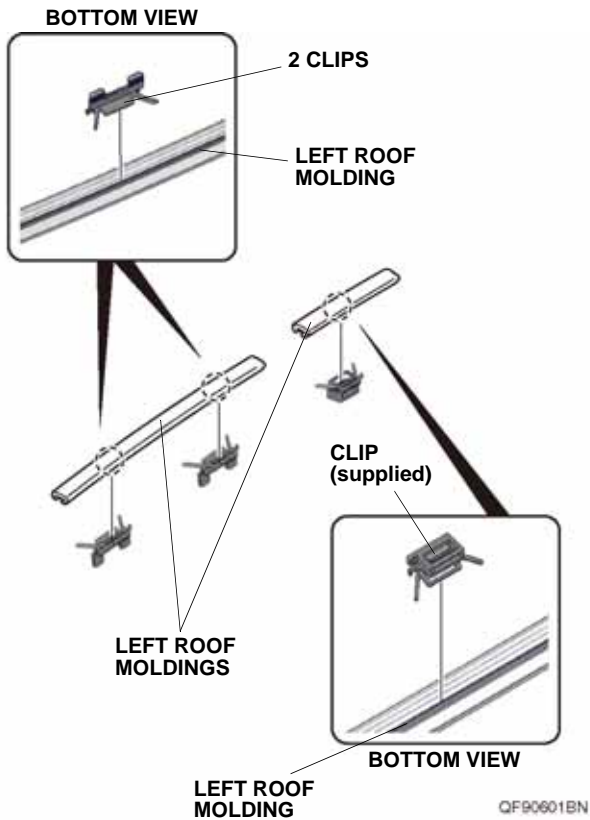


- While wearing eye protection, use an air saw to cut the left roof molding at the measurement shown. Do not use a cutting wheel or shears to cut the left roof molding, that can damage the left roof molding. Remove any burrs.

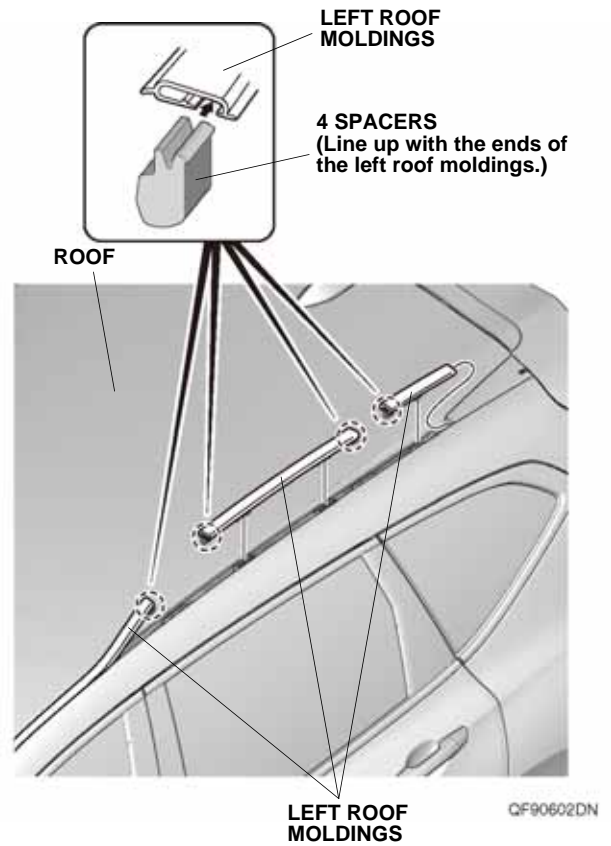


QF90509BN

13. Install one clip removed in step 9 and two clips removed in step 10 to the left roof moldings.



14. Install four spacers into the ends of the left roof moldings.

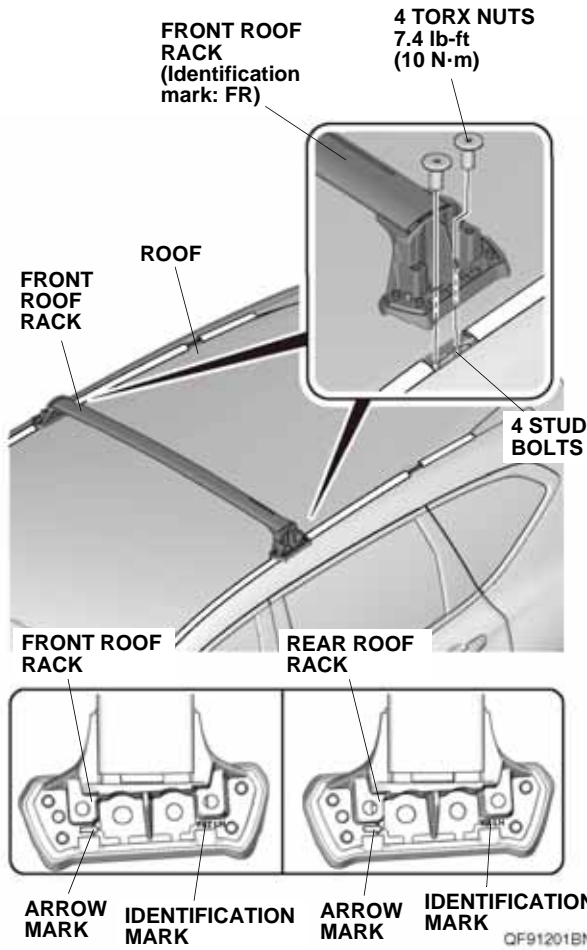


15. Install the left roof moldings to the vehicle.  
16. Repeat steps 1 through 15 on the right side of the vehicle.

**Put a Copy of These Pages in the Glove Box for Your Customer**

**Installing the roof racks**

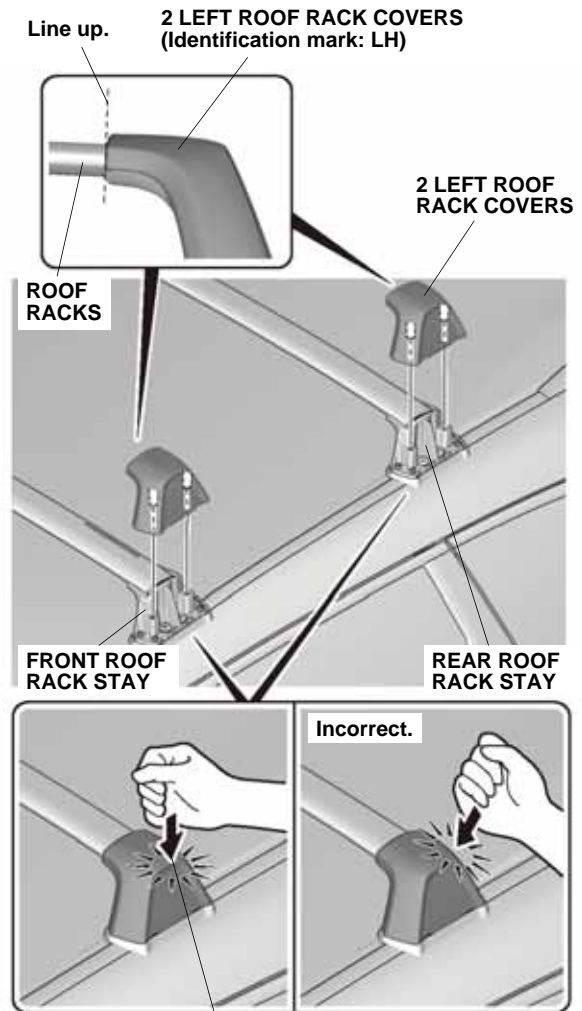
17. Position the front roof rack over the four stud bolts on the roof.  
 NOTE: Check the identification mark, arrow mark and installation position of the front roof rack. Make sure to install the front roof rack in the correct position and orientation.



18. Install the front roof rack to the roof with four TORX nuts. Torque the TORX nuts to 7.4 lb-ft (10 N·m).  
 19. Repeat steps 17 and 18 on the rear roof rack.

20. Install the left roof rack covers to the respective ends of the front and rear roof rack stays.  
 NOTE:

- Stand on a step stool or a stepladder so you are above the roof racks. To install the covers, apply force straight down and vertical to the roof rack stay.  
 NOTICE: Applying force at an angle that can damage the roof rack covers.
- Check the identification marks and installation positions of the left roof rack covers. Make sure to install the left roof rack covers in the correct positions and orientations.



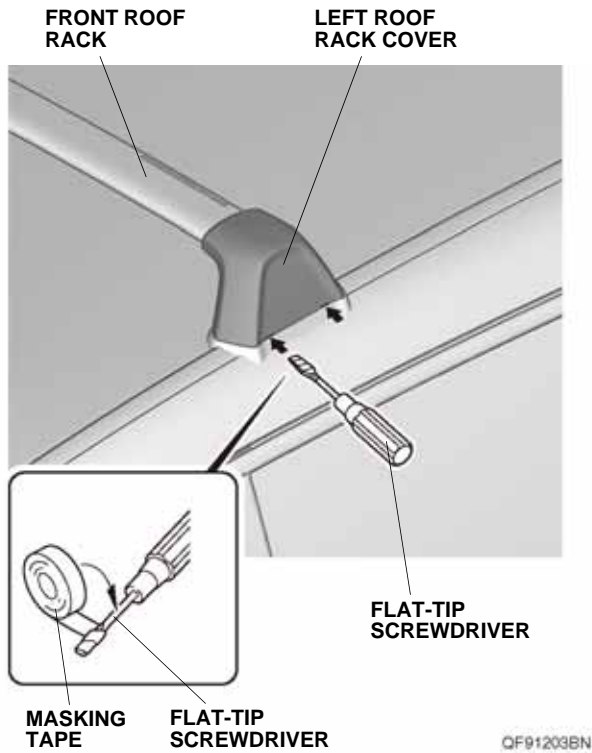
Apply for a straight down, vertical to the roof rack stays.

QF91202BN

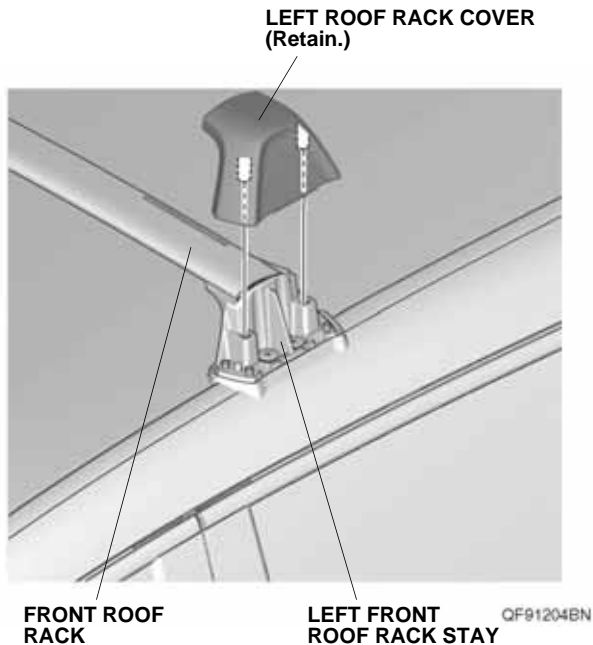
21. Repeat the same procedure for the right side.

## Removing the roof racks

22. Using a flat-tip screwdriver wrapped with masking tape, release the left roof rack cover on the front roof rack as shown.

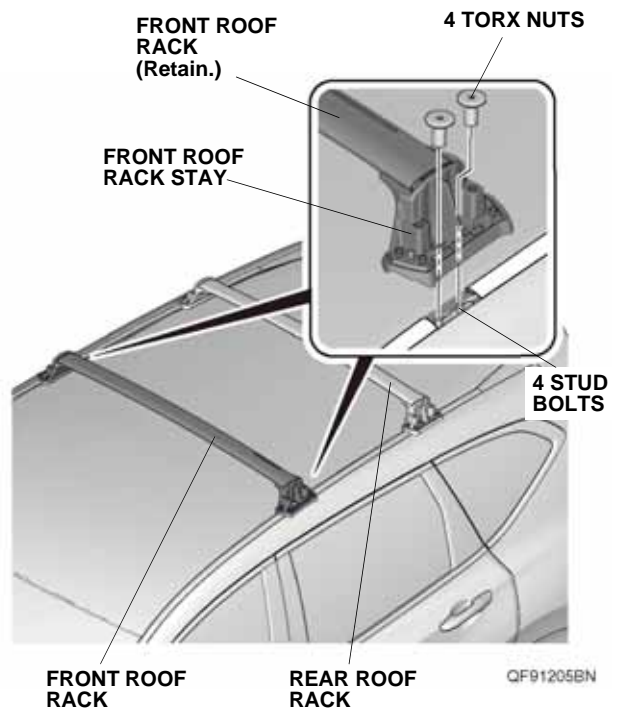


23. Remove the left roof rack cover from the left front roof rack stay.



24. Repeat steps 22 and 23 on the right side of the front roof rack.  
25. Repeat steps 22 through 24 on the rear roof rack.

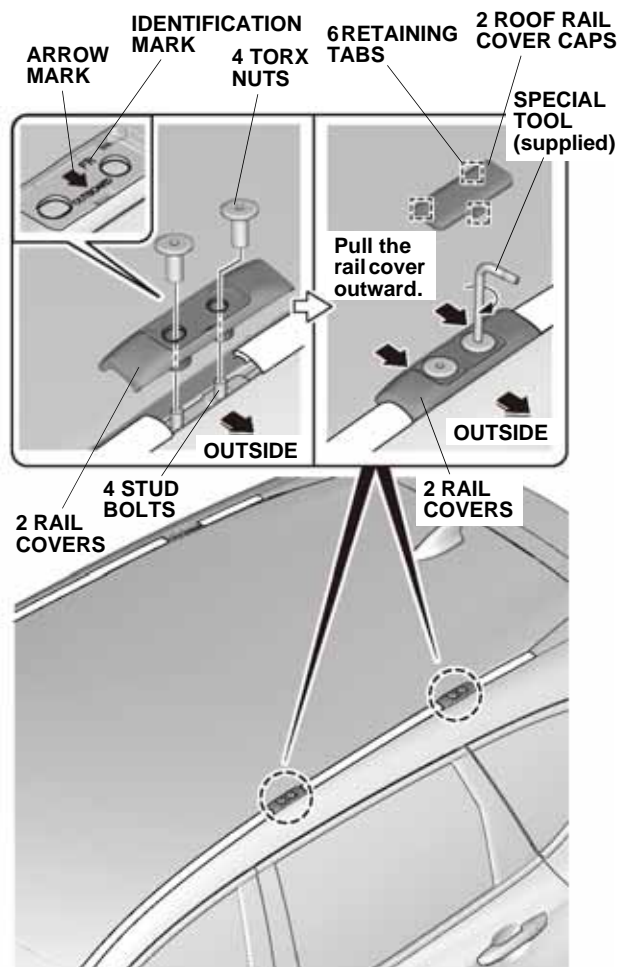
26. Remove the four TORX nuts from the front roof rack stays, and remove the front roof rack.



27. Repeat same procedure on the rear roof rack.



28. Install the front and rear rail covers to the roof on the left side of the vehicle. Pull the rail covers outward, and line up the rail covers with the roof molding. Secure the front and rear rail covers to the roof with the four TORX nuts removed in step 26.
- NOTE: Check the identification marks, arrow marks and installation positions of the front and rear rail covers. Make sure to install the rail covers in the correct positions and orientations.



QF91206AN

29. Install each rail cover cap to each rail cover with three retaining tabs.
30. Repeat steps 28 and 29 on the right side of vehicle.

#### USE AND CARE

- Check the roof rack mounting bolts frequently, and retighten if necessary.
- Distribute the weight of the cargo evenly, and do not exceed the maximum weight capacity of 45 kg (100 lbs).