



# INSTALLATION INSTRUCTIONS

Accessory	Application	Publications No.
REAR PANEL LINING COVERS P/N 08F07-TLA-100	2017 CR-V	VERSION 1
		Issue Date
		DEC 2016

## PARTS LIST

Left rear panel lining cover



Right rear panel lining cover



2 Alcohol swabs



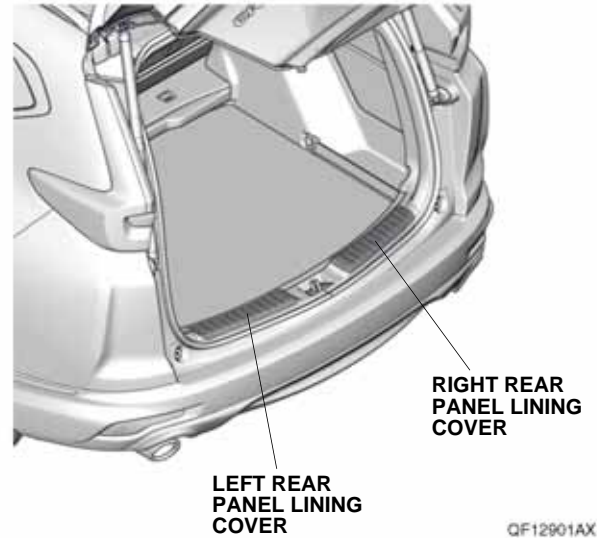
## TOOLS AND SUPPLIES REQUIRED

Masking tape

*The following tool is available through the Honda Tool and Equipment Program. On the iN, click on: Service > Service Bay > Tool and Equipment Program, then enter the number under "Search." Or, call 888-424-6857.*

Rubber Roller (T/N MHLE54D)

## Illustration of the Rear Panel Lining Covers on the Vehicle



## INSTALLATION

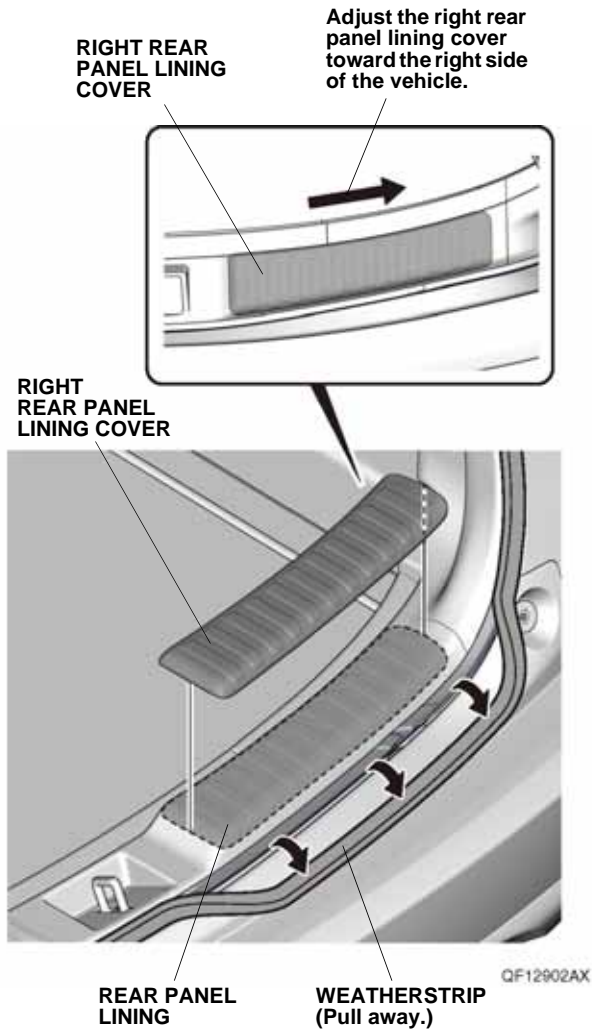
**Customer Information:** The information in this installation instruction is intended for use only by skilled technicians who have the proper tools, equipment, and training to correctly and safely add equipment to your vehicle. These procedures should not be attempted by "do-it-yourselfers."

### NOTE:

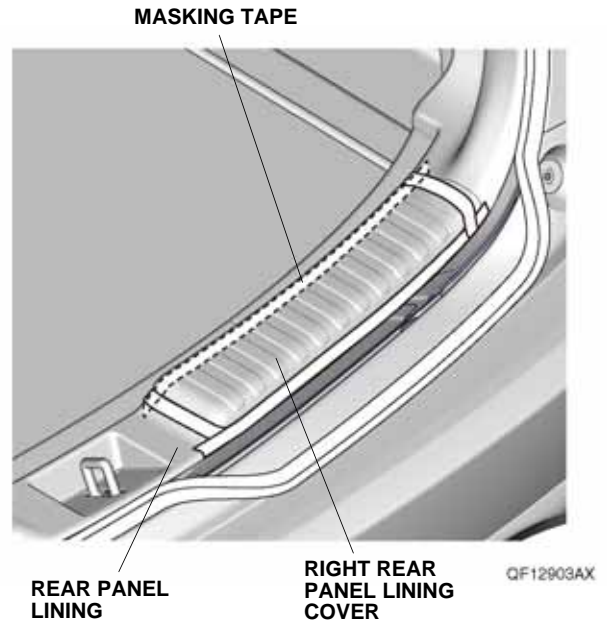
- Be careful not to damage the paint finish.
- This kit should be installed only if the ambient air temperature is 15°C (60°F) or above.
- To allow the adhesive to cure, do not wash the vehicle for 24 hours. Make sure your customer is aware of this.

## Installing the Rear Panel Lining Covers

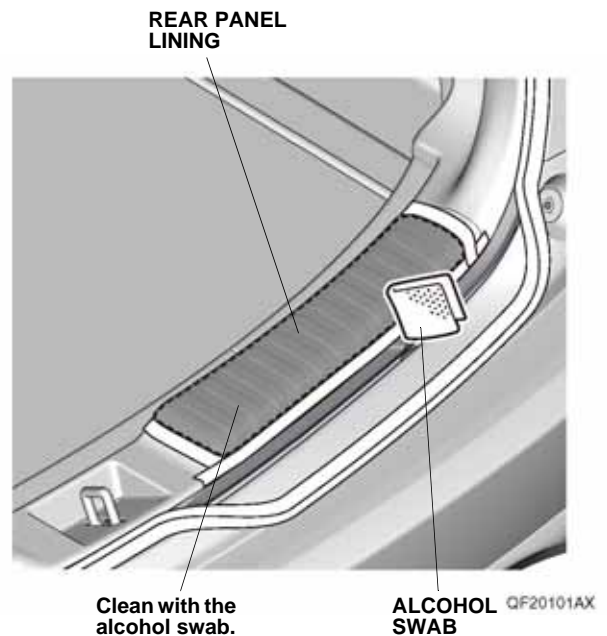
1. Pull away the weatherstrip. Position the right rear panel lining cover on the right side of the rear panel lining. Adjust the right rear panel lining cover toward the right side of the vehicle. Make sure that the right rear panel lining cover is installed properly.



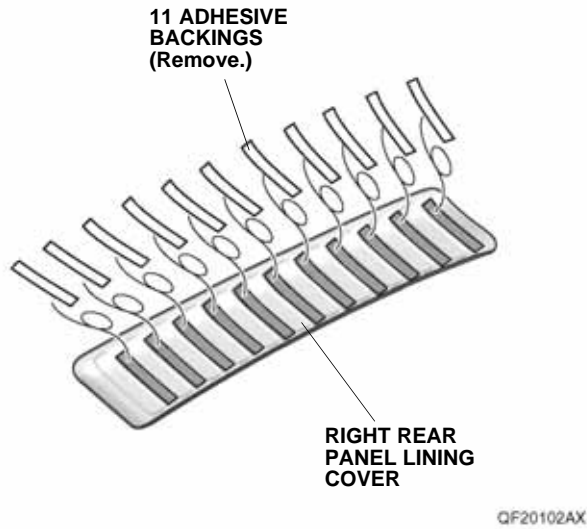
2. Attach masking tape along the right rear panel lining cover first, then remove the right rear panel lining cover from the rear panel lining.



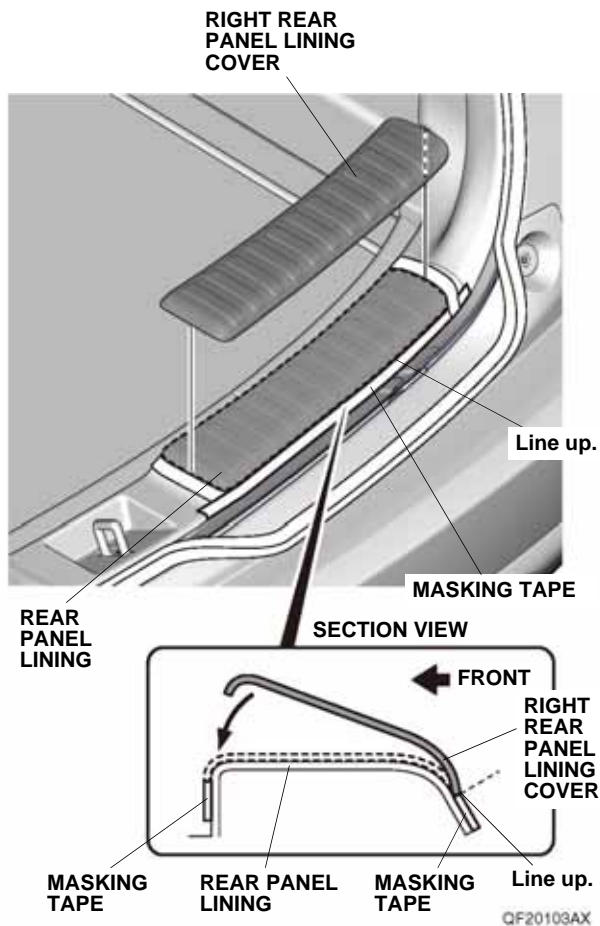
3. Using the alcohol swab, thoroughly clean the rear panel lining where the right rear panel lining cover will attach.



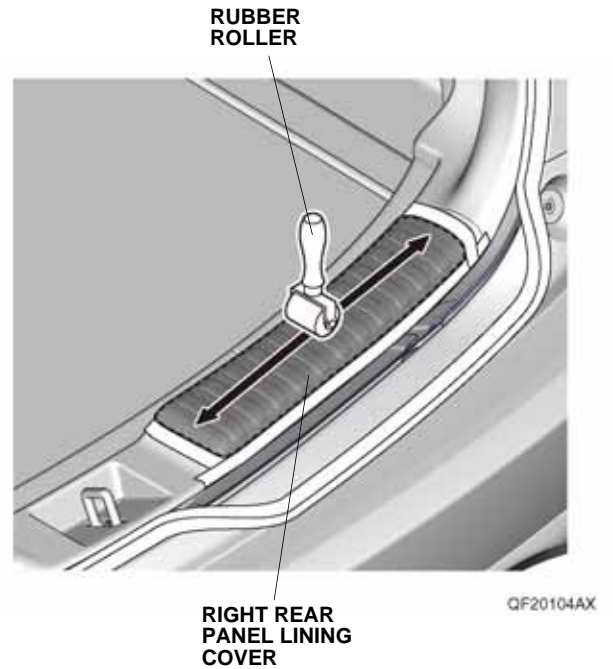
- Remove the adhesive backings from the right rear panel lining cover.



- Line up the right rear panel lining cover with masking tape. Carefully attach the right rear panel lining cover from the rear toward the front of the vehicle as shown.



- Using a rubber roller, apply firm pressure against the right rear panel lining cover, and roll from one end to the other. Apply firm pressure, especially at the ends.



- Remove the masking tape.
- Install the weatherstrip.
- Repeat steps 1 through 8 on the left side of the vehicle.