



# INSTALLATION INSTRUCTIONS

Accessory  
**REAR AERO BUMPER**

Application  
**2017 CR-V**

Publications No.  
**VERSION 1**

Issue Date  
**DEC 2016**

## PARTS LIST

**Rear Aero Bumper Kit (with exhaust pipe finisher)**  
**P/N 08P99-TLA-100A**

Rear aero bumper



**Rear Aero Bumper Kit (without exhaust pipe finisher)**  
**P/N 08P99-TLA-100**

Rear aero bumper



## TOOLS AND SUPPLIES REQUIRED

Phillips screwdriver

5 mm Hex wrench

Ratchet

10 mm Socket

T-30 TORX

10 mm Open end wrench

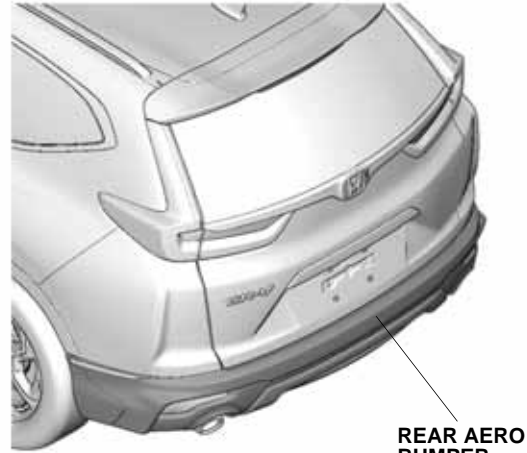
Masking tape

Blanket

*The following tool is available through the Honda Tool and Equipment Program. On the iN, click on: Service > Service Bay > Tool and Equipment Program, then enter the number under "Search." Or, call 888-424-6857.*

Trim Tool Set (T/N SOJATP2014)

## Illustration of the Rear Aero Bumper on the Vehicle

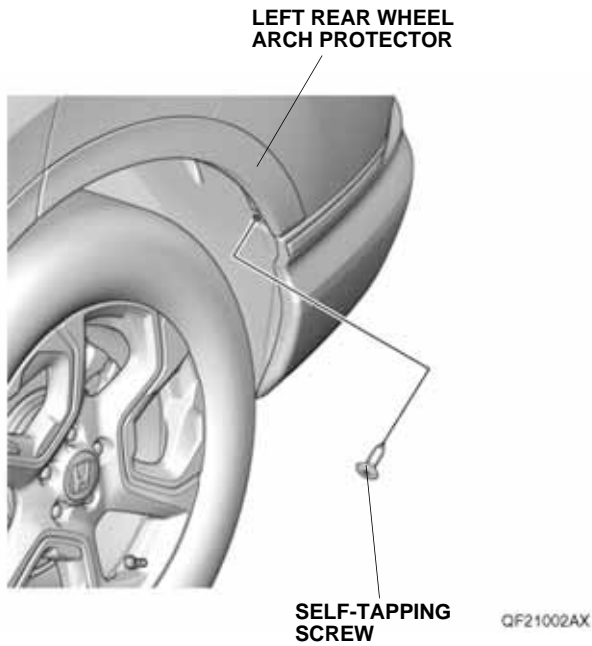


QF21001BX

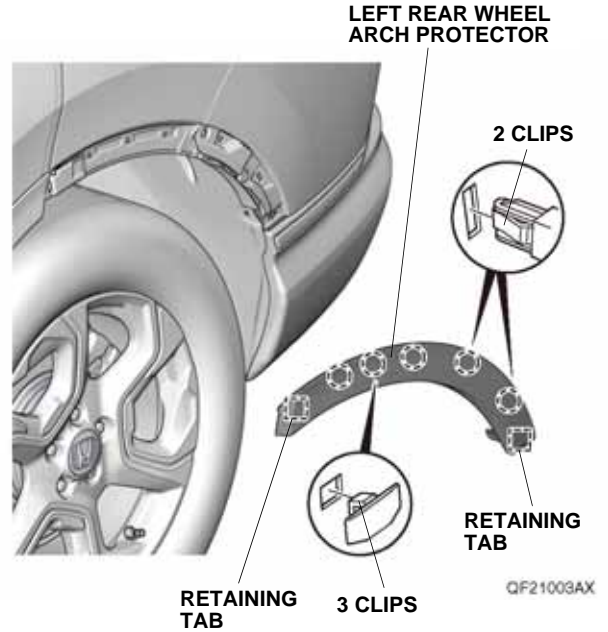
## INSTALLATION

**Customer Information:** The information in this installation instruction is intended for use only by skilled technicians who have the proper tools, equipment, and training to correctly and safely add equipment to your vehicle. These procedures should not be attempted by “do-it-yourselfers.”

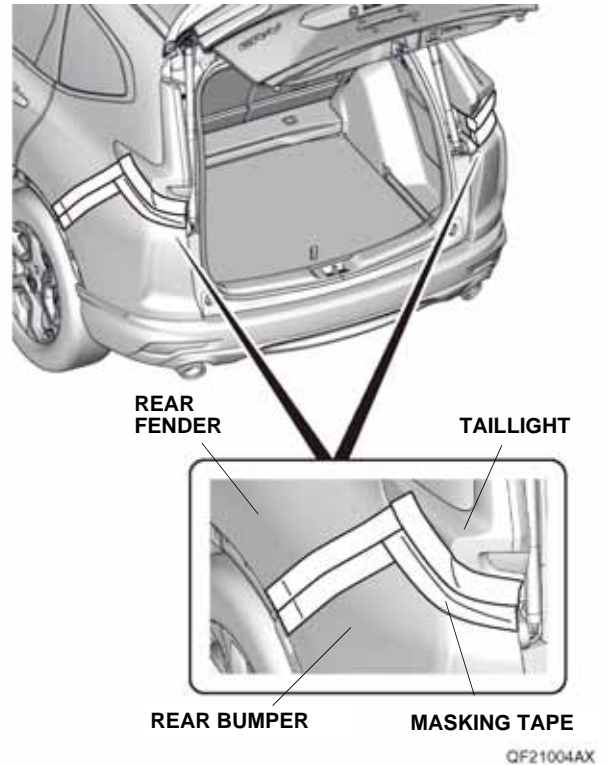
1. Disconnect the negative cable from the battery.
2. Remove the self-tapping screw from the left rear wheel arch protector.



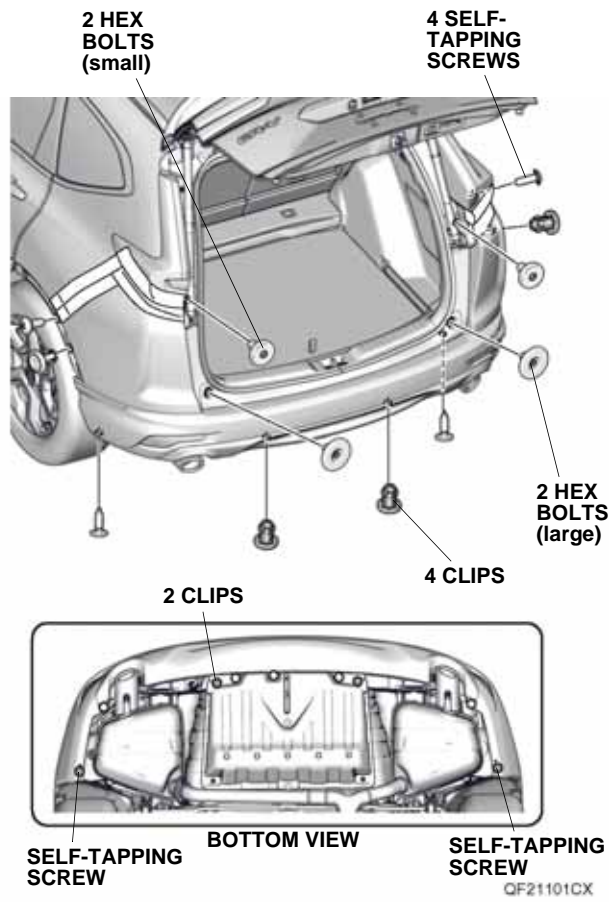
3. Remove the left rear wheel arch protector.



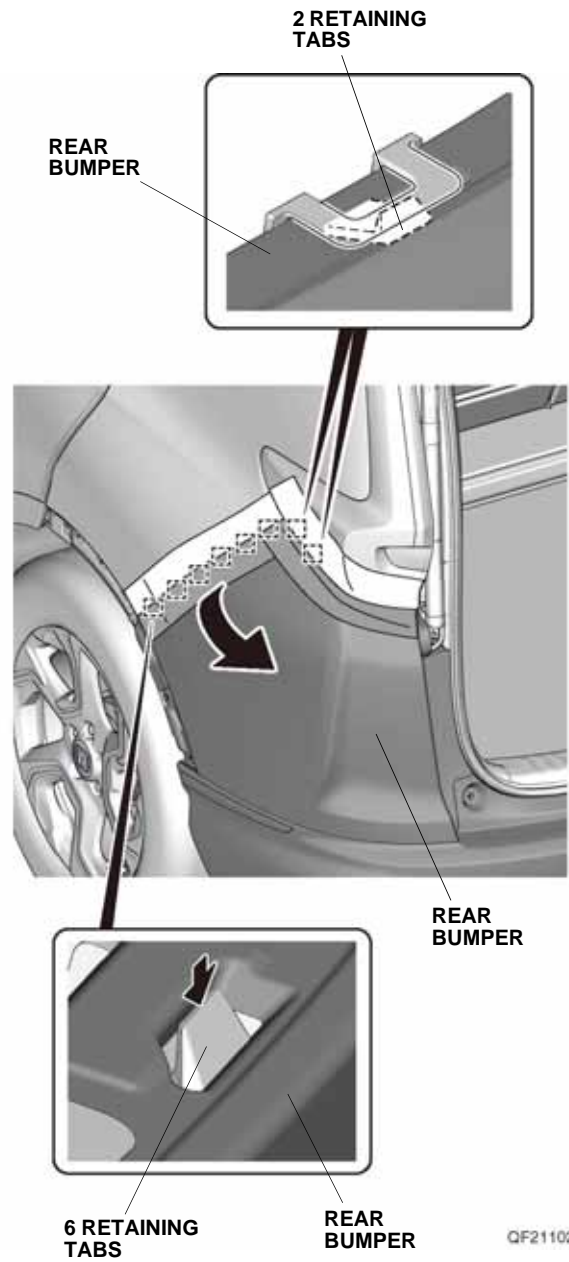
4. Repeat steps 2 and 3 on the right side of the vehicle.
5. Remove the rear bumper:
  - Apply masking tape on each side as shown.



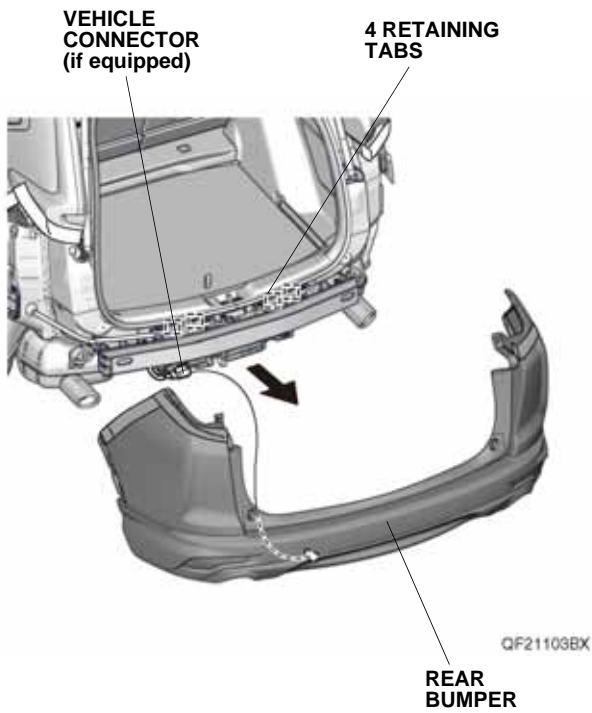
- Remove the four self-tapping screws, four clips, two hex bolts (large), and two hex bolts (small) as shown.



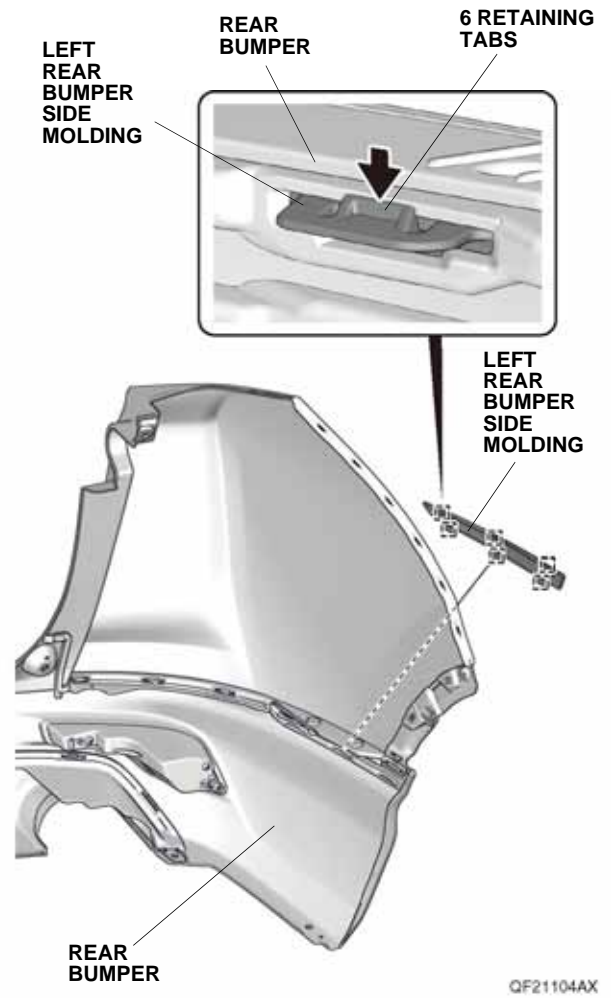
- With the help of an assistant, release the eight retaining tabs on each side.



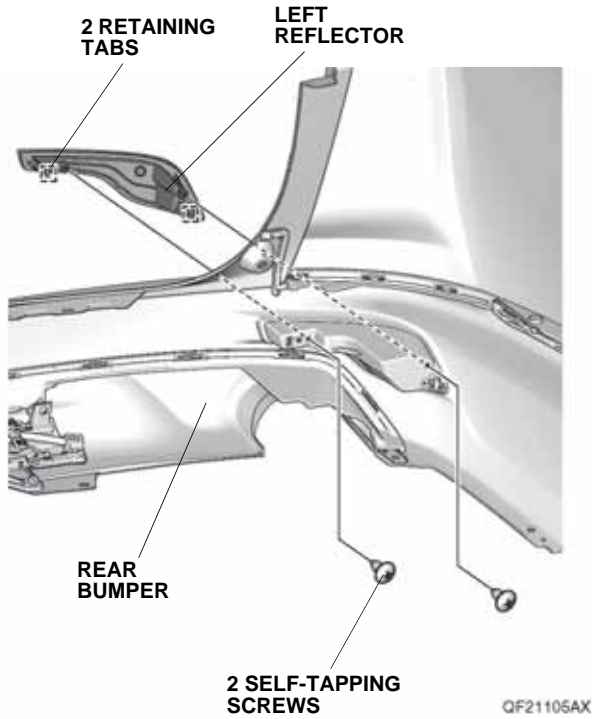
- With the help of an assistant, remove the rear bumper and unplug the vehicle connectors (if equipped).
- Place the rear bumper on a blanket.



6. Remove the left rear bumper side molding from the rear bumper.



- Remove the left reflector from the rear bumper.

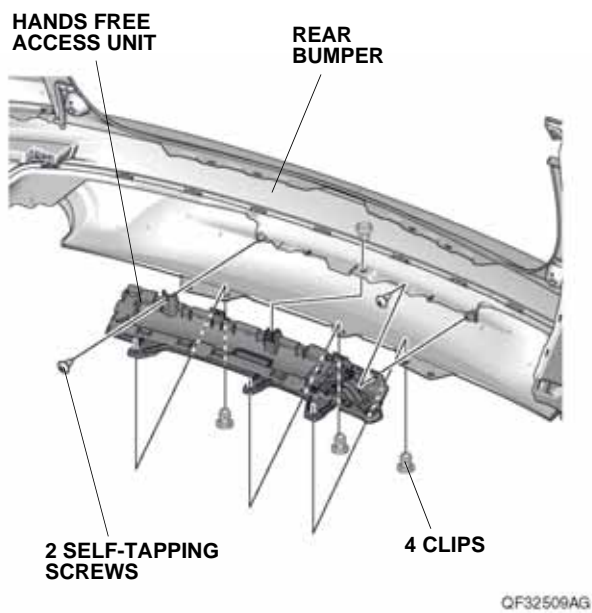


- Repeat steps 6 and 7 on the right side of the rear bumper.

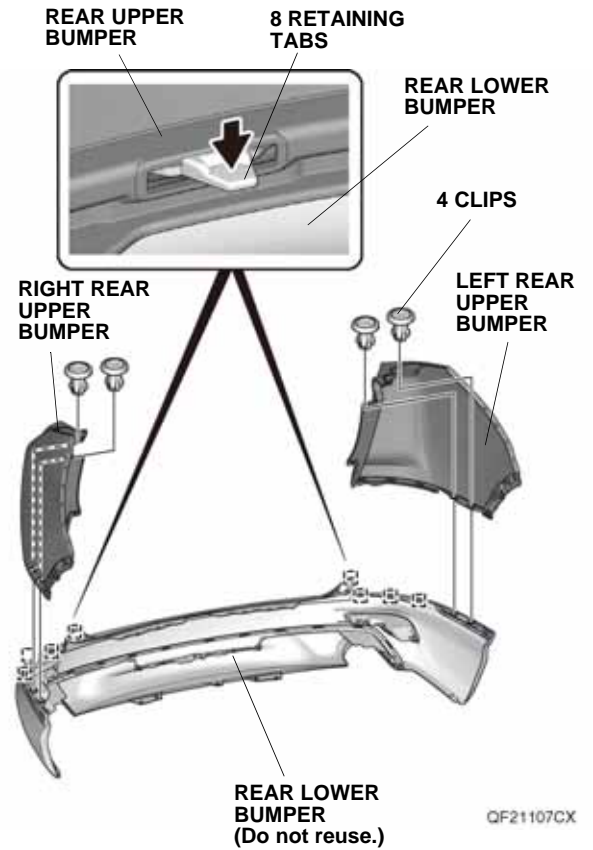
If the vehicle is equipped with the hands free access, continue with step 9; otherwise, go to step 10.

**With hands free access**

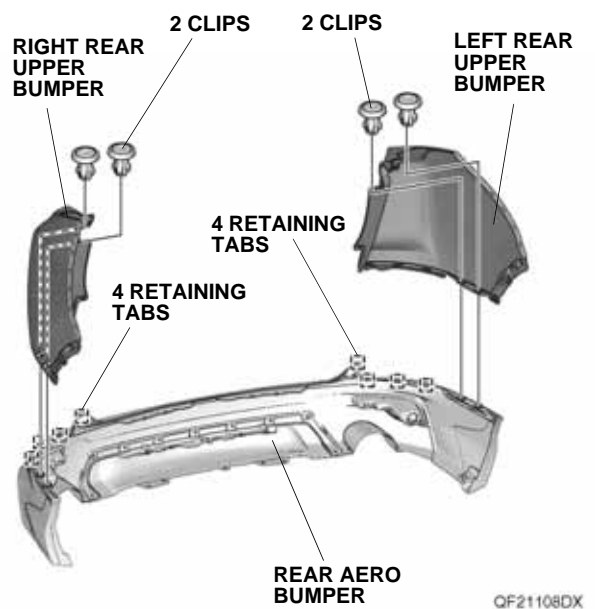
- Remove the hands free access unit from the rear bumper.



- Remove the left rear upper bumper from the rear lower bumper. Repeat for the right rear upper bumper.



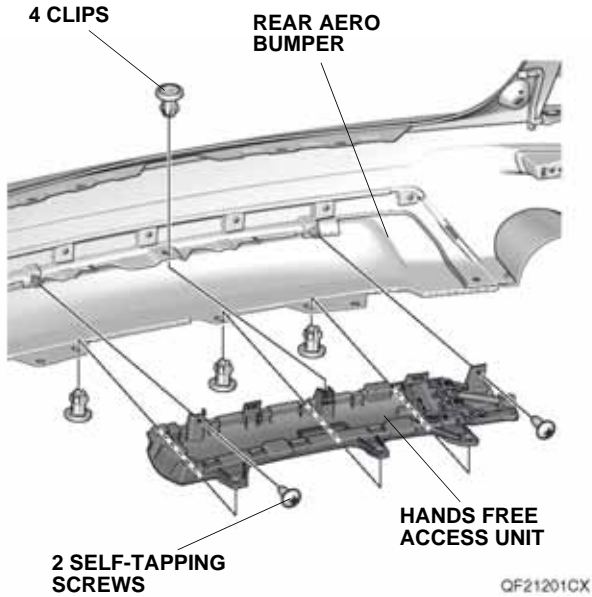
- Install the left rear upper bumper to the rear aero bumper with two clips and four retaining tabs. Repeat for the right rear upper bumper.



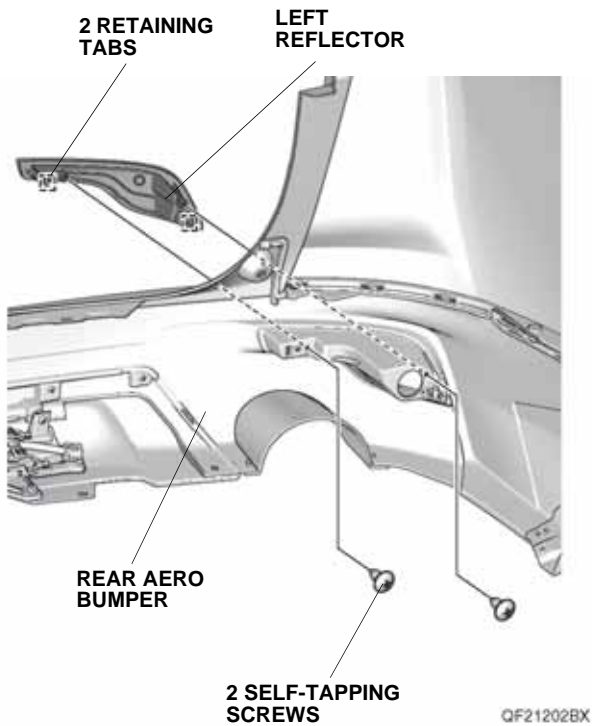
If the vehicle is equipped with the hands free access, continue with step 12; otherwise, go to step 13.

**With hands free access**

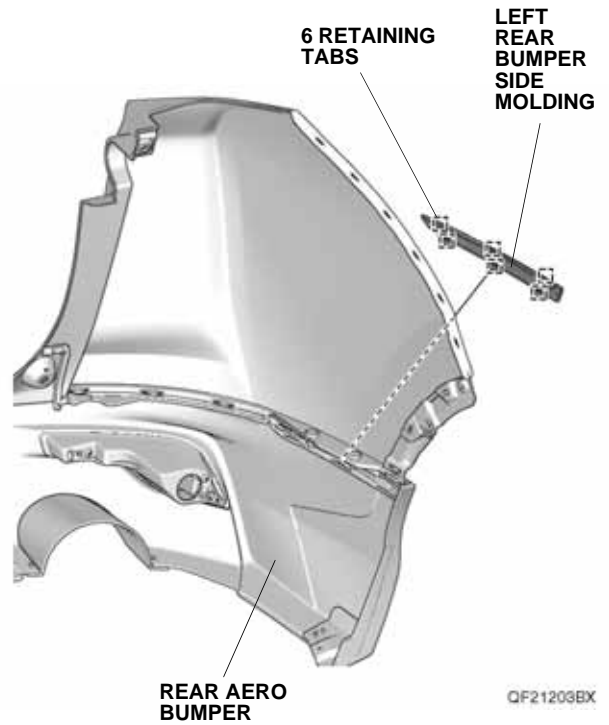
12. Install the hands free access unit to the rear aero bumper with two self-tapping screws and four clips.



13. Install the left reflector to the rear aero bumper with two self-tapping screws and two retaining tabs.

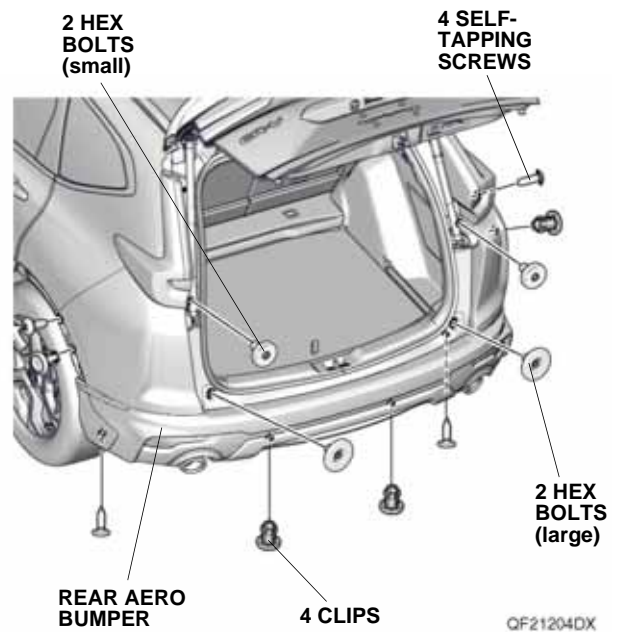


14. Install the left rear bumper side molding to the rear aero bumper with six retaining tabs.



15. Repeat steps 13 and 14 on the right side of the rear aero bumper.

16. With the help of an assistant, install the rear aero bumper with four clips, four self-tapping screws, two large hex bolts, and two small hex bolts and plug in the vehicle connectors (if equipped).



17. Check that all wire harnesses are routed properly and all connectors are plugged in.
18. Install all removed parts.
19. Connect the negative cable to the battery.
20. Press and hold the audio unit power button for 2 seconds to restore the audio and navi (if equipped) system functions.
21. Set the clock on vehicles without navigation.
22. If necessary, restore the systems back to normal operation as described in the service information.