



# INSTALLATION INSTRUCTIONS

Accessory  
HANDS FREE ACCESS

Application  
2017 CR-V

Publications No.  
VERSION 1

Issue Date  
DEC 2016

## PARTS LIST

### Hands Free Access Kit (With accessory trailer hitch) P/N 08U59-TLA-100A

Hands free access unit



Bumper clip A



Label



Accessory User's Information Manual

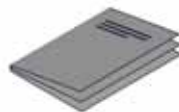


### Hands Free Access Kit (Without accessory trailer hitch) P/N 08U59-TLA-100B

Hands free access unit



Accessory User's Information Manual

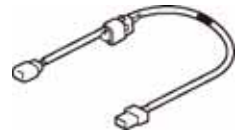


### Hands Free Access Attachment Kit P/N 08U59-TLA-100C

Switch



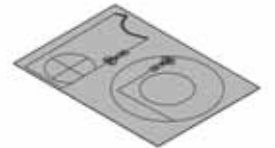
Hands free access harness



Subharness



Template  
(May not be used.)



Shim  
(May not be used.)



Switch bracket



Narrow wire tie



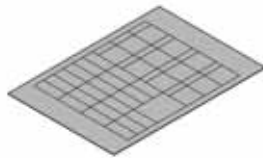
Clip



3 Wire ties



Fuse label



4 Bumper clips B



2 Self-tapping screws



## TOOLS AND SUPPLIES REQUIRED

Phillips screwdriver  
 Small flat-tip screwdriver  
 10 mm Open end wrench  
 Stubby Phillips screwdriver  
 Pushpin  
 Scissors  
 3 mm Drill bit  
 Eye protection (face shield, safety goggles, etc.)

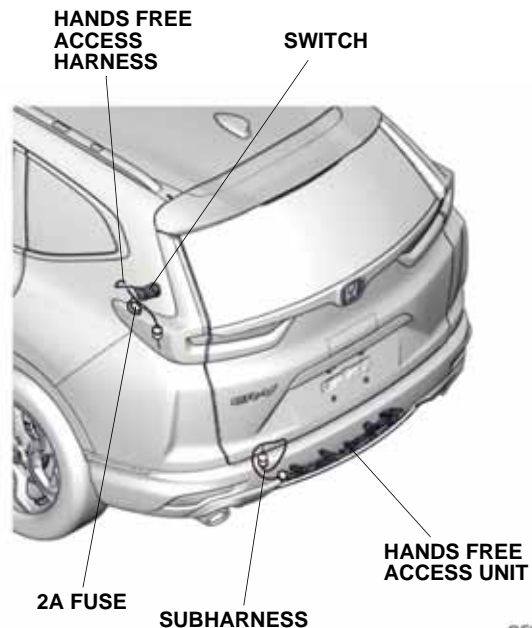
File  
 Blanket  
 Isopropyl alcohol  
 Shop towel  
 14 mm and 26 mm Hole saws

Drill  
 Masking tape  
 5 mm Hex wrench  
 Utility knife  
 Rubber mallet  
 Diagonal cutters  
 Ruler  
 Felt-tip pen

*The following tool is available through the Honda Tool and Equipment Program. On the iN, click on: Service > Service Bay > Tool and Equipment Program, then enter the number under "Search." Or, call 888-424-6857.*

Trim Tool Set (T/N SOJATP2014)

### Illustration of the Hands Free Access on the Vehicle

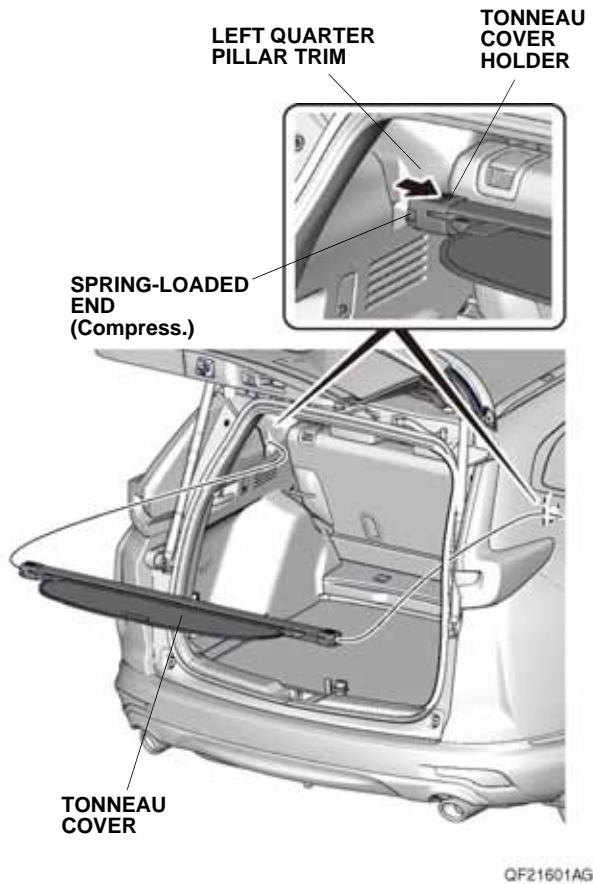


QF32901AB

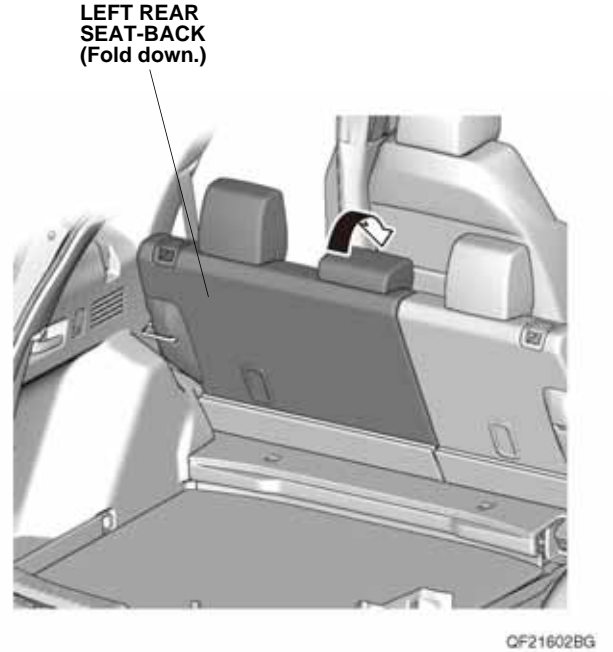
## INSTALLATION

**Customer Information:** The information in this installation instruction is intended for use only by skilled technicians who have the proper tools, equipment, and training to correctly and safely add equipment to your vehicle. These procedures should not be attempted by “do-it-yourselfers.”

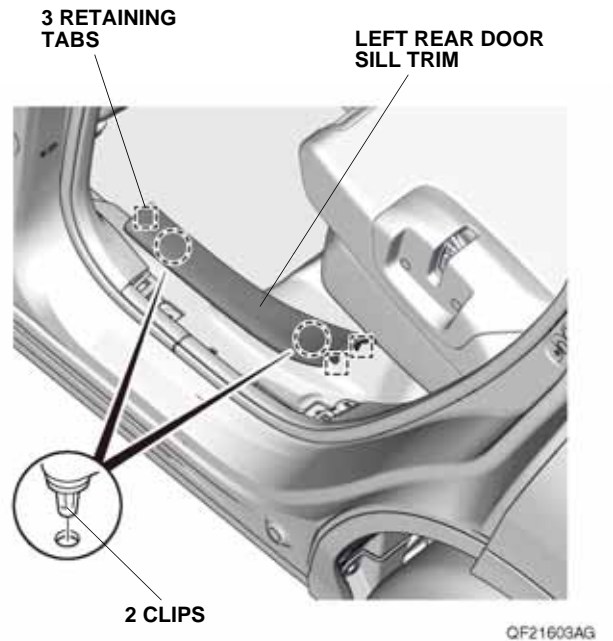
1. Disconnect the negative cable from the battery.
2. If equipped, remove the tonneau cover.



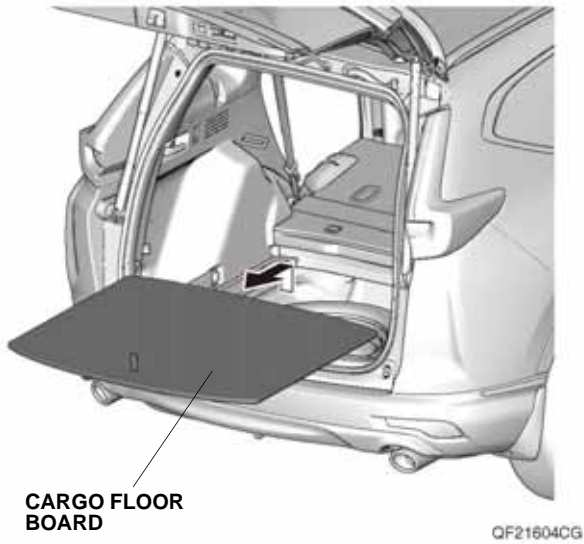
3. Fold down the left rear seat-back.



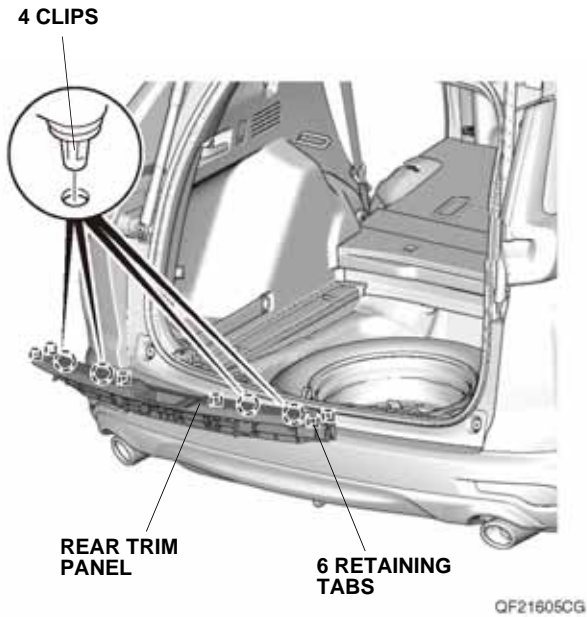
4. Remove the left rear door sill trim.



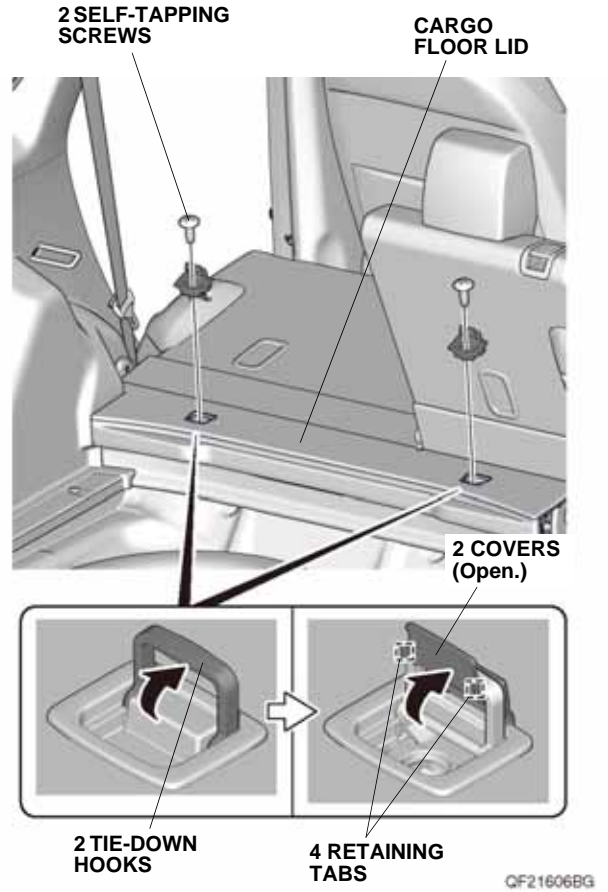
5. Remove the cargo floor board.



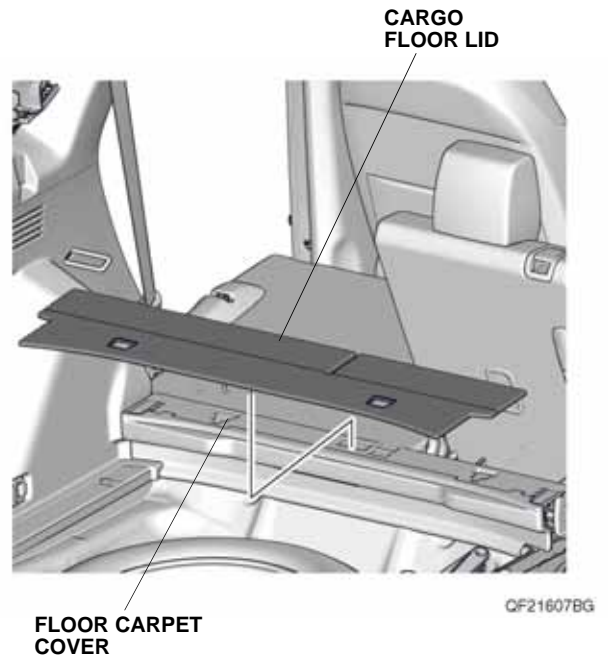
6. Remove the rear trim panel.



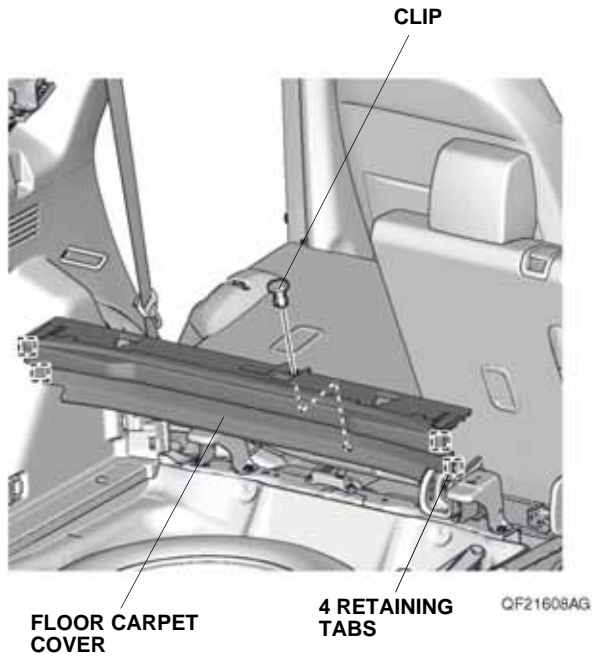
7. Remove the two tie-down hooks.



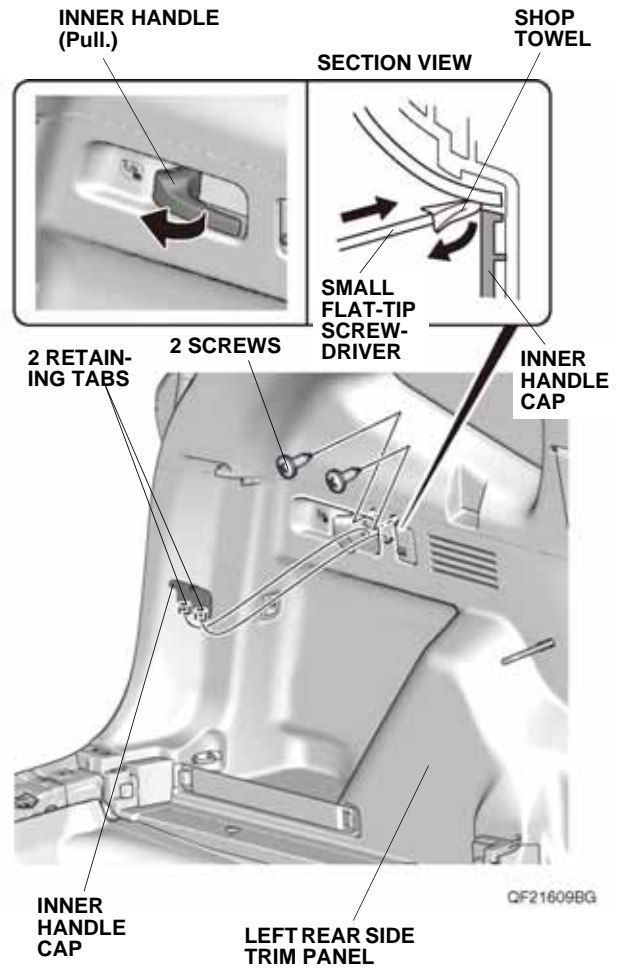
8. Remove the cargo floor lid from the floor carpet cover.



- Remove the floor carpet cover.

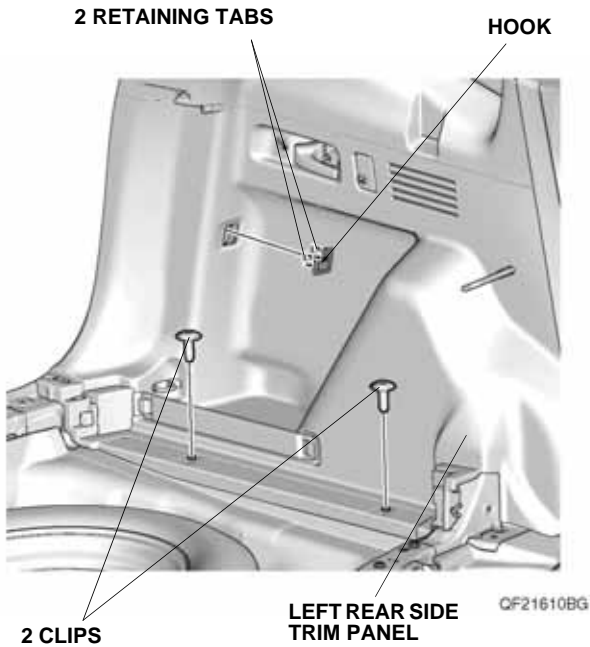


- Gently pull the inner handle on the left rear side trim panel, and use a small flat-tip screwdriver wrapped with a shop towel to remove the inner handle cap.

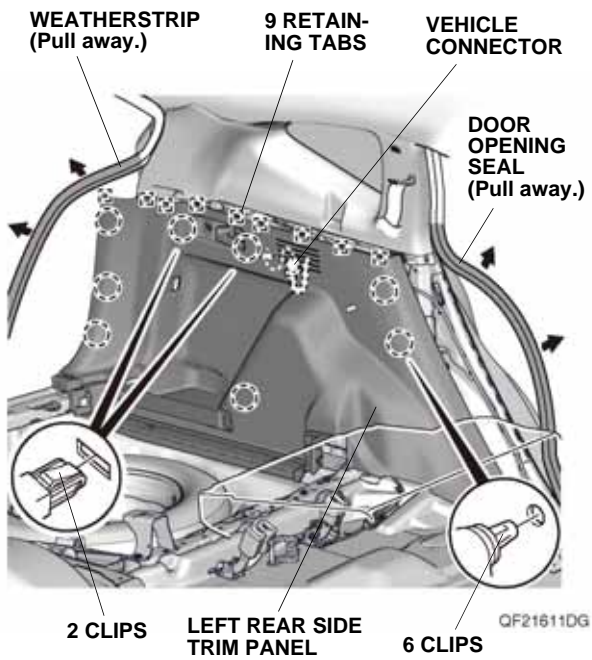


- Remove the two screws from the left rear side trim panel.

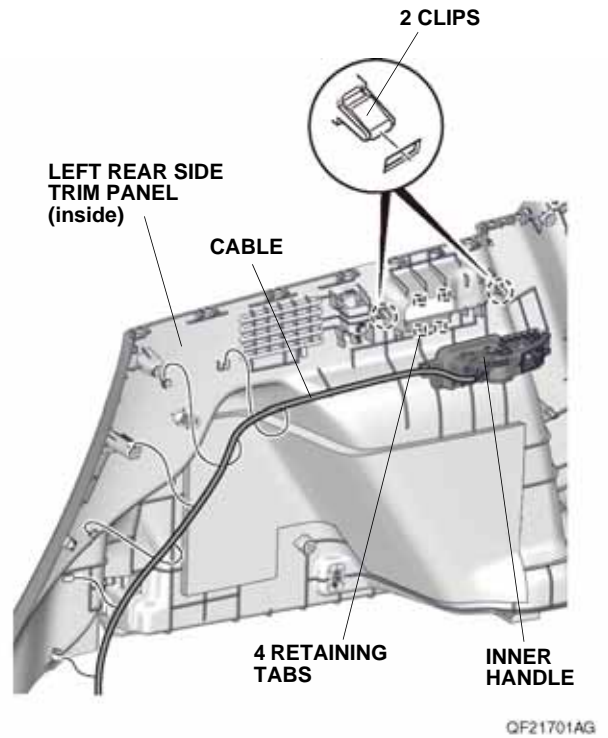
12. Remove the left rear side trim panel hook, retaining tabs, and clips.



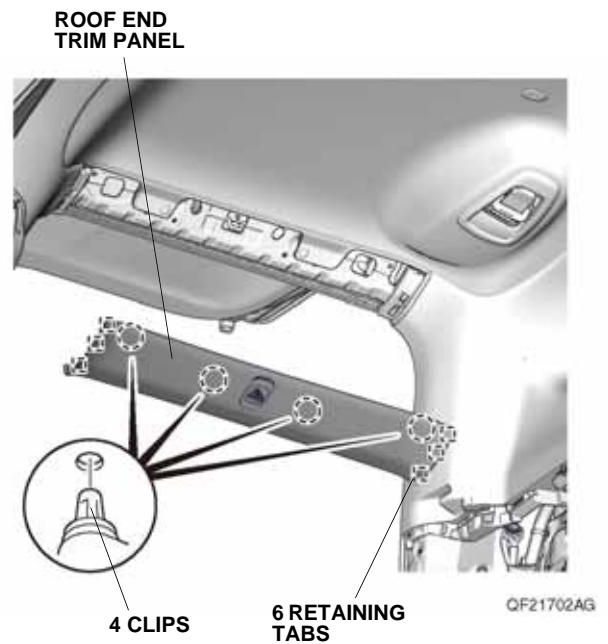
13. Pull away the door opening seal and weatherstrip from around the left rear side trim panel. Remove the left rear side trim panel, and unplug the vehicle connector.



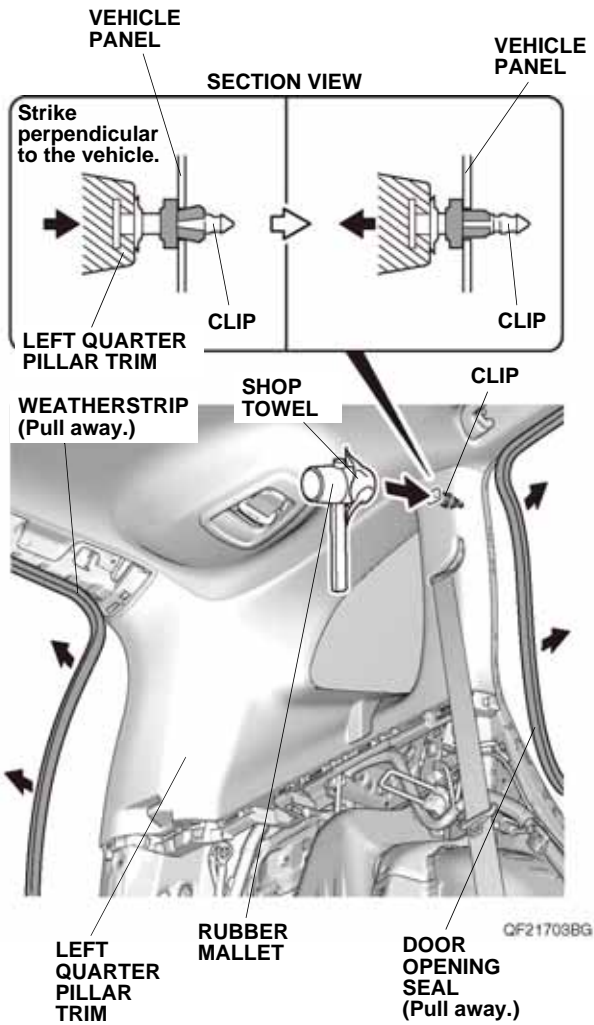
14. Release the cable from the left rear side trim panel, then remove the inner handle.



15. Remove the roof end trim panel.

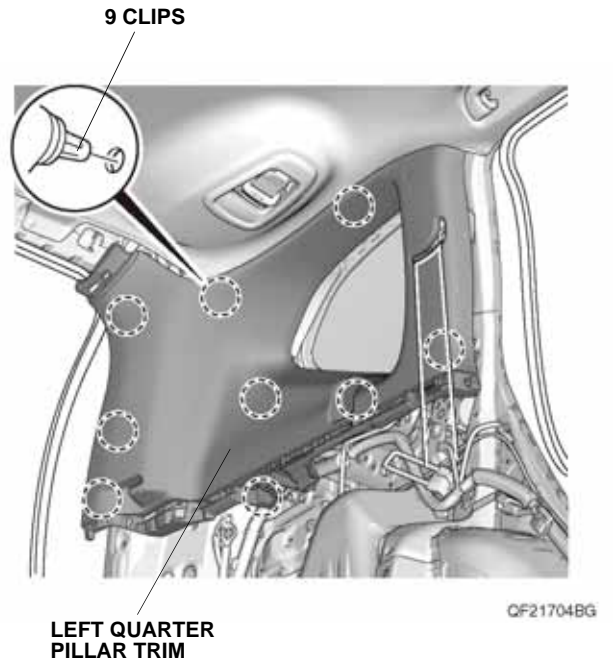


16. Pull away the door opening seal and weatherstrip from around the left quarter pillar trim.

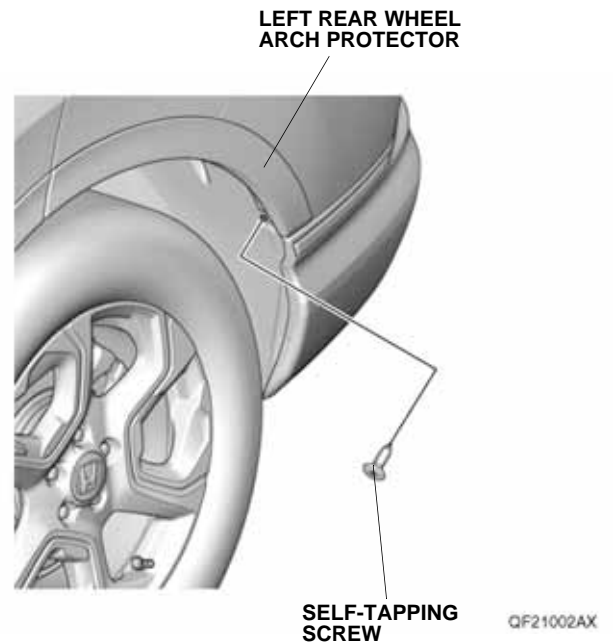


17. Using a rubber mallet wrapped with a shop towel, lightly tap the area marked "SIDE CURTAIN AIRBAG" on the left quarter pillar trim to push in the clip. Make sure to strike the area perpendicular to the vehicle.

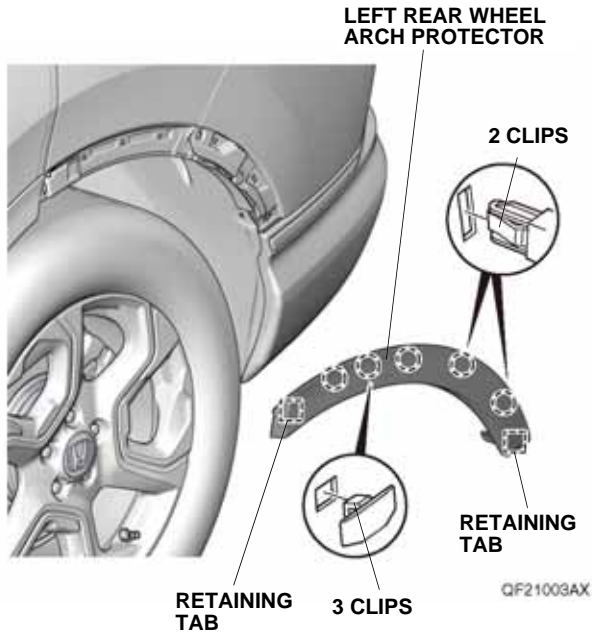
18. Remove the left quarter pillar trim.



19. Remove the self-tapping screw from the left rear wheel arch protector.



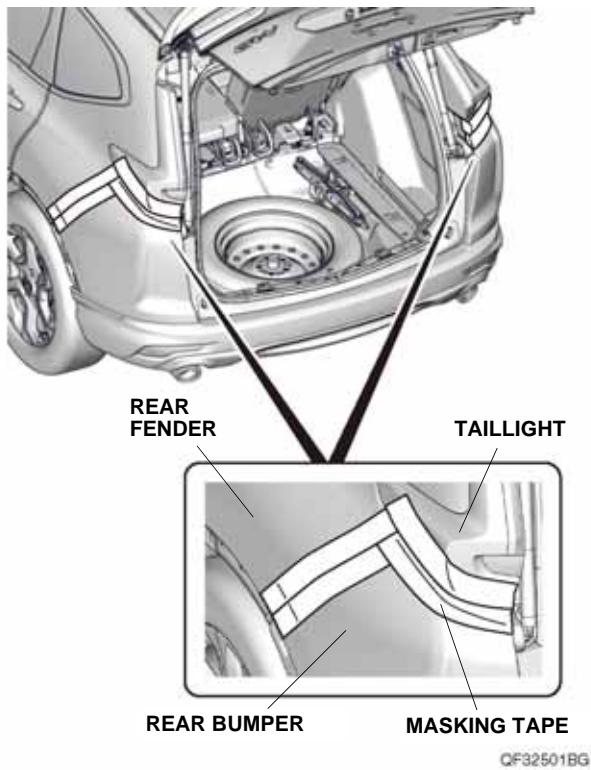
20. Remove the left rear wheel arch protector.



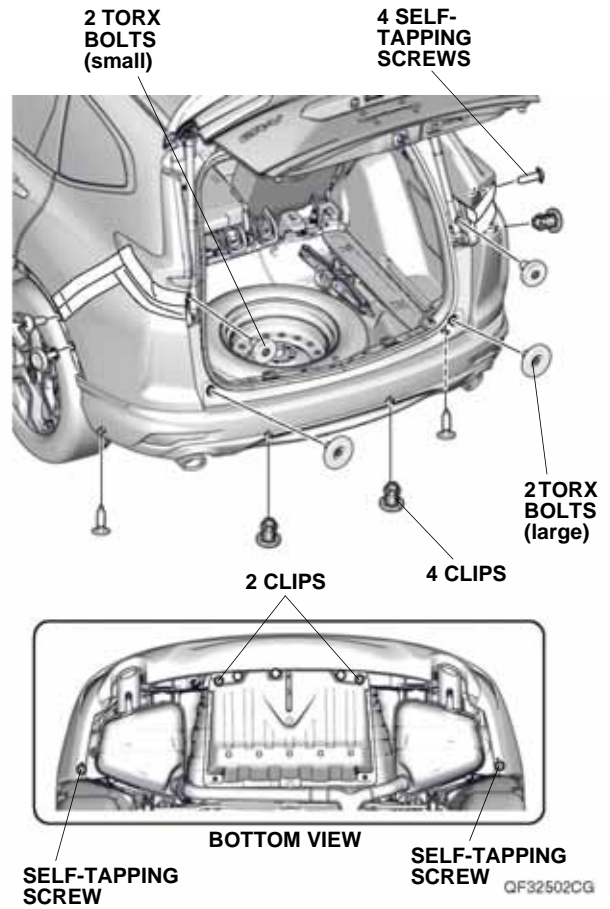
21. Repeat steps 19 and 20 on the right side of the vehicle.

22. Remove the rear bumper:

- Apply masking tape on each side as shown.

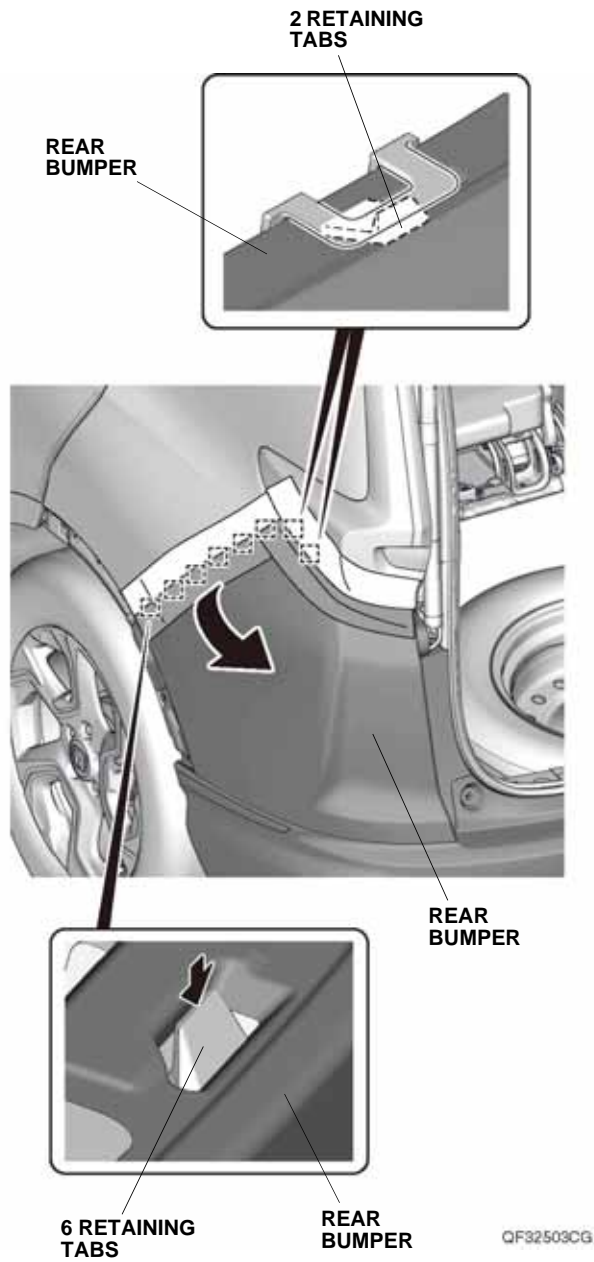


- Remove the four self-tapping screws, four clips, two hex bolts (large), and two hex bolts (small) as shown.

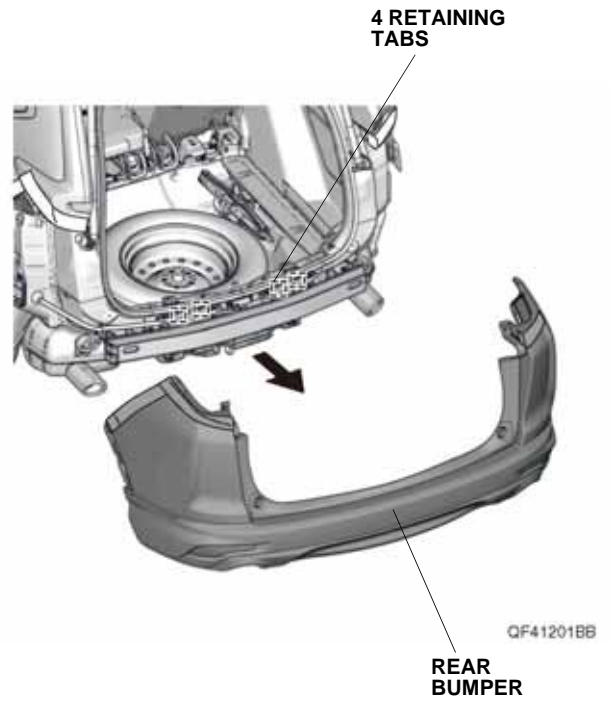




- With the help of an assistant, release the eight retaining tabs on each side.



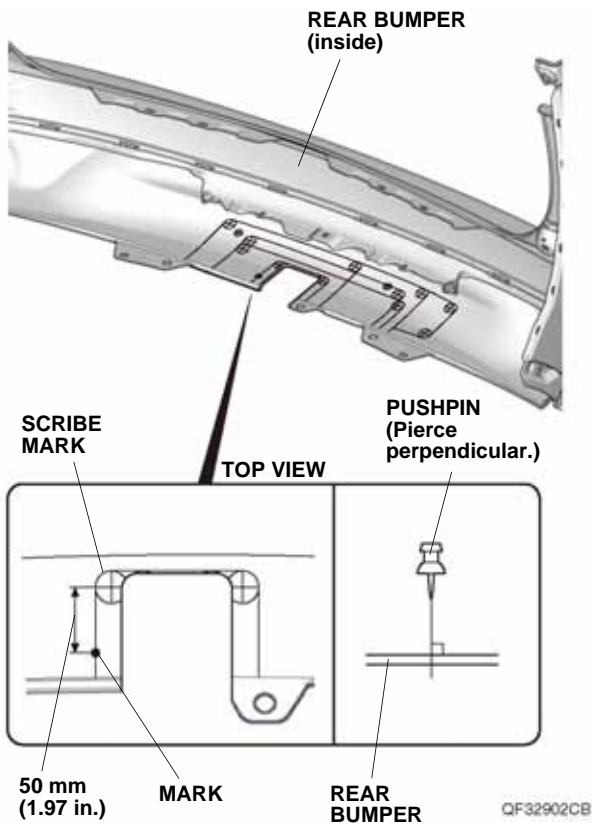
- With the help of an assistant, release the four retaining tabs and remove the rear bumper.
- Place the rear bumper on a blanket.



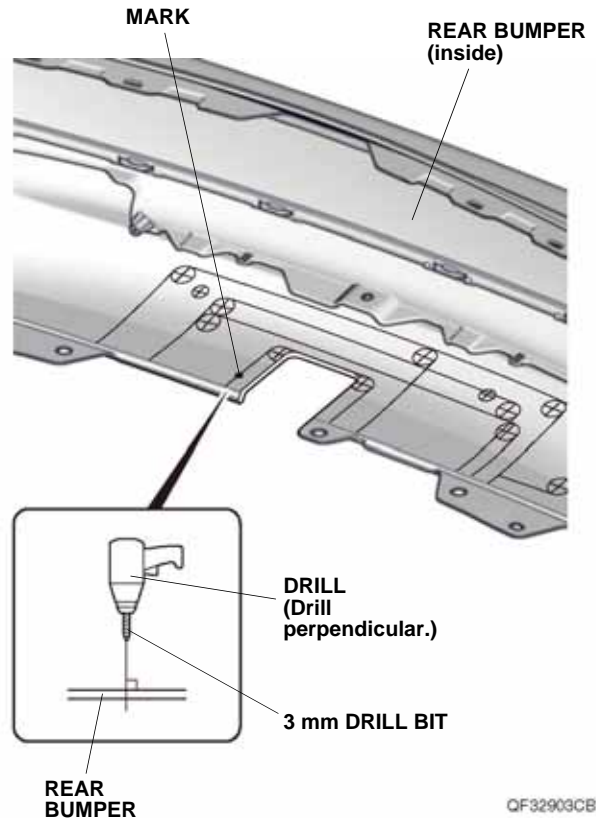
- If the vehicle is equipped with the accessory trailer hitch and standard rear bumper, continue with step 23.
- If the vehicle is equipped with the accessory trailer hitch and accessory rear aero bumper, go to step 27.
- If the vehicle is not equipped with the accessory trailer hitch, go to step 31.

**With accessory trailer hitch and standard rear bumper**

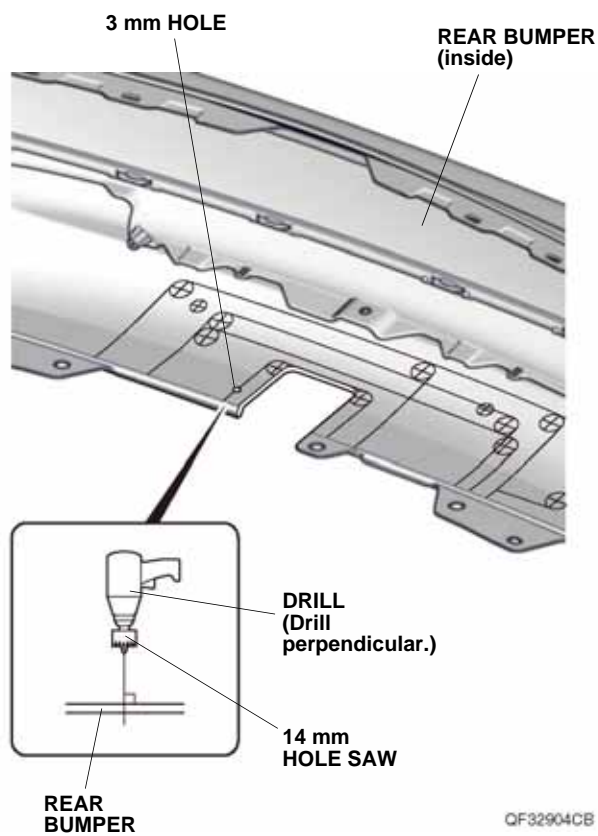
23. Using a pushpin, pierce the rear bumper as shown. NOTE: If you are also installing the accessory trailer hitch, cut off the rear bumper as described in the installation instructions of the accessory trailer hitch before this procedure. Make sure to pierce the mark perpendicular to the rear bumper.



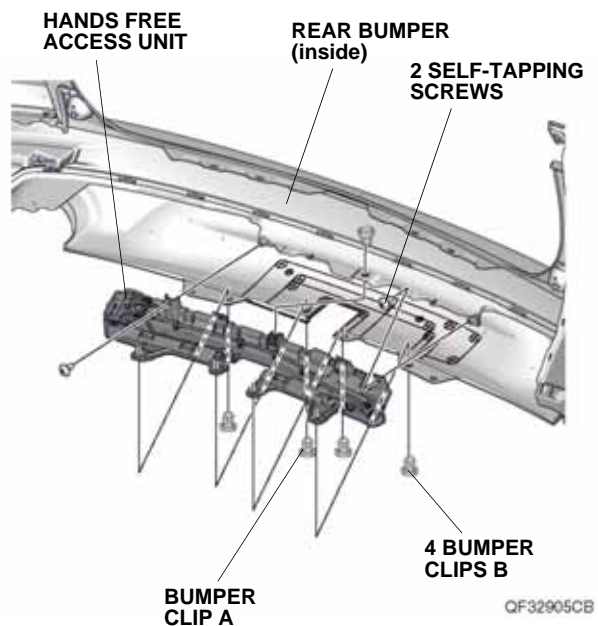
24. While wearing eye protection, drill the pierced mark on the rear bumper with a 3 mm drill bit. NOTE: Make sure to drill perpendicular to the rear bumper.



25. While wearing eye protection, enlarge the 3 mm hole to 14 mm using a 14 mm hole saw. Remove any burrs.  
 NOTE: Make sure to drill perpendicular to the rear bumper.

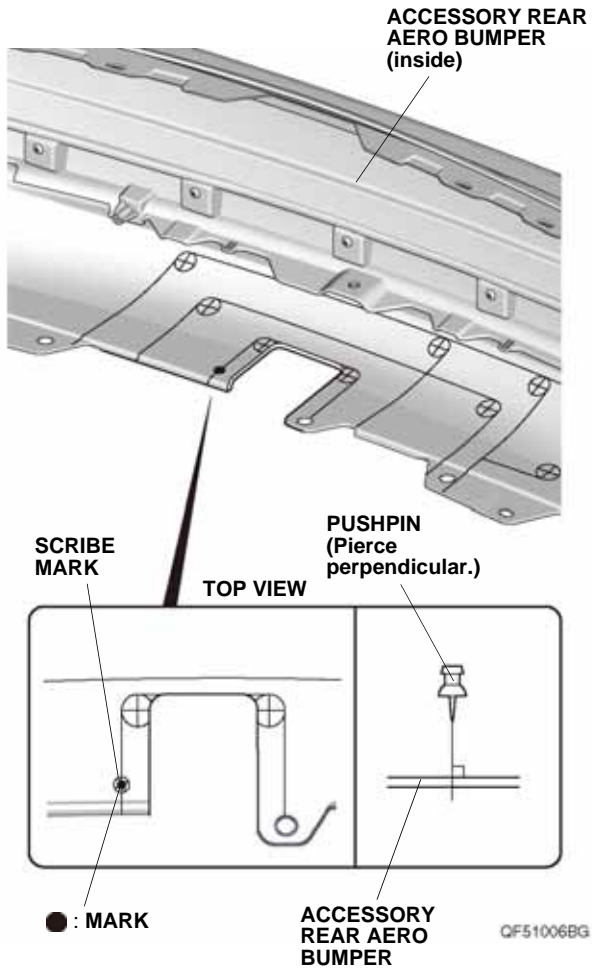


26. Secure the hands free access unit to the rear bumper with two self-tapping screws, one bumper clip A, and four bumper clips B. Go to step 32.

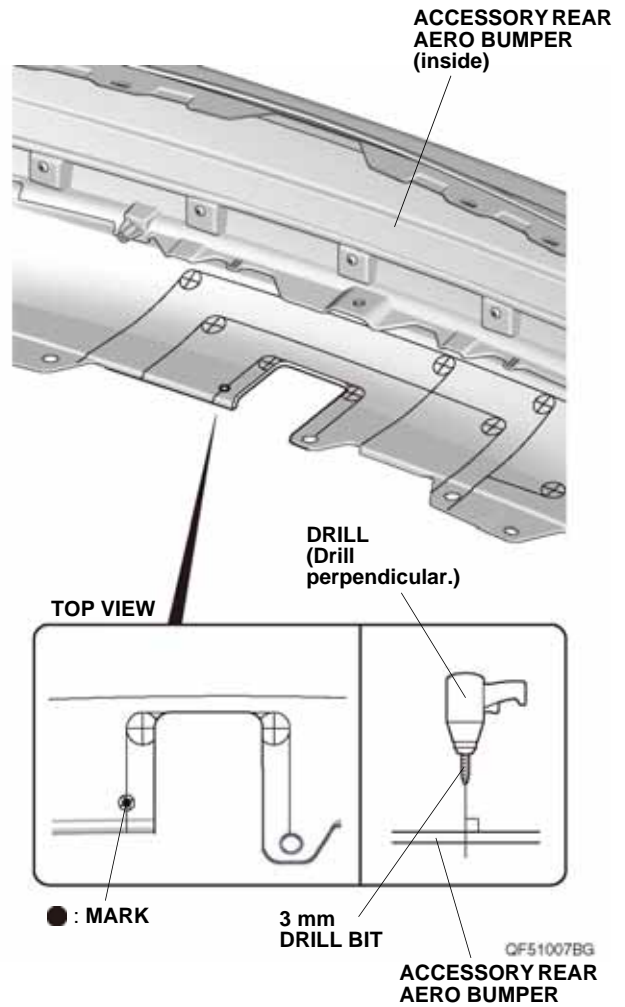


**With accessory trailer hitch and accessory rear aero bumper**

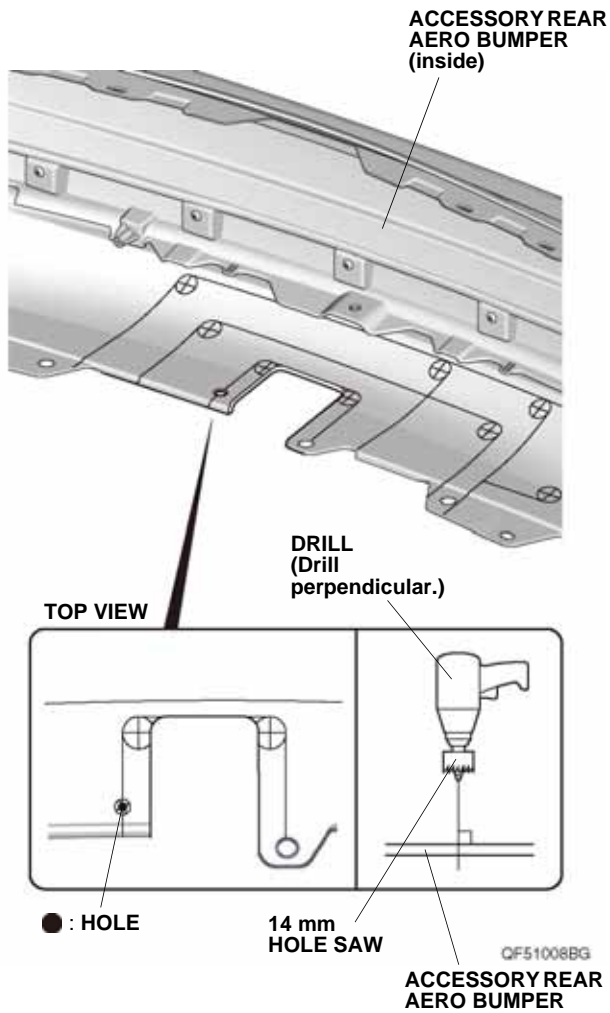
27. Using a pushpin, pierce the scribe mark on the accessory rear aero bumper.  
 NOTE: If you are also installing the accessory trailer hitch, cut off the accessory rear aero bumper as described in the installation instructions of the accessory trailer hitch before this procedure. Make sure to pierce the mark perpendicular to the accessory rear aero bumper.



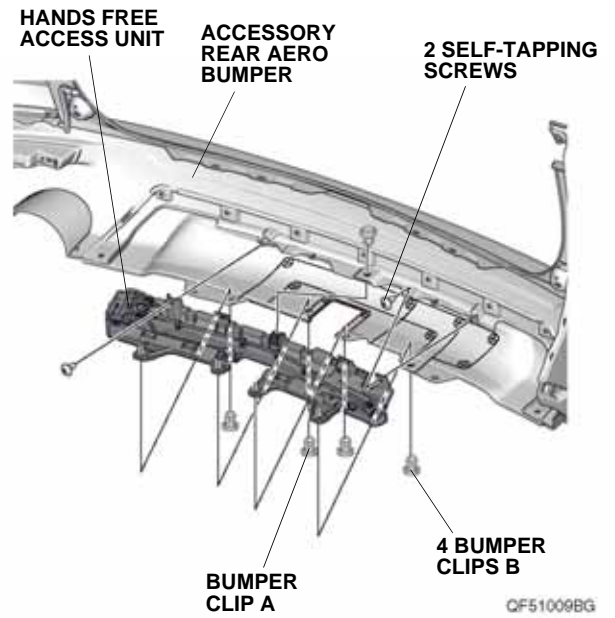
28. While wearing eye protection, drill the pierced mark on the accessory rear aero bumper with a 3 mm drill bit.  
 NOTE: Make sure to drill perpendicular to the accessory rear aero bumper.



29. While wearing eye protection, enlarge the 3 mm hole to 14 mm using a 14 mm hole saw. Remove any burrs.  
 NOTE: Make sure to drill perpendicular to the accessory rear aero bumper.

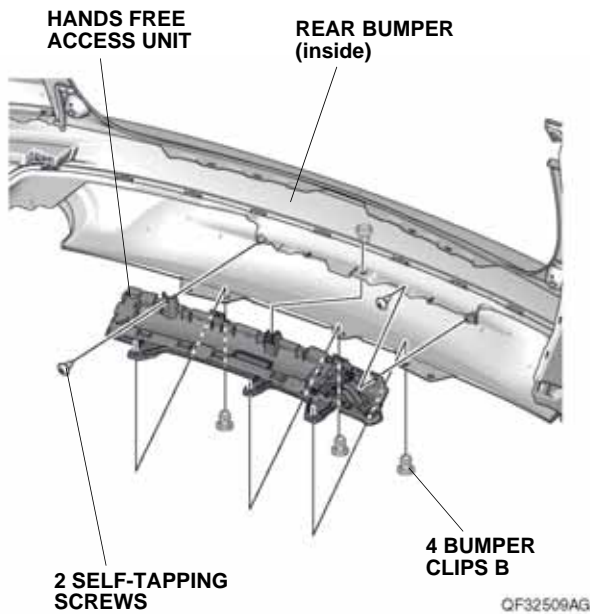


30. Secure the hands free access unit to the accessory rear aero bumper with two self-tapping screws, one bumper clip A, and four bumper clips B. Go to step 32.

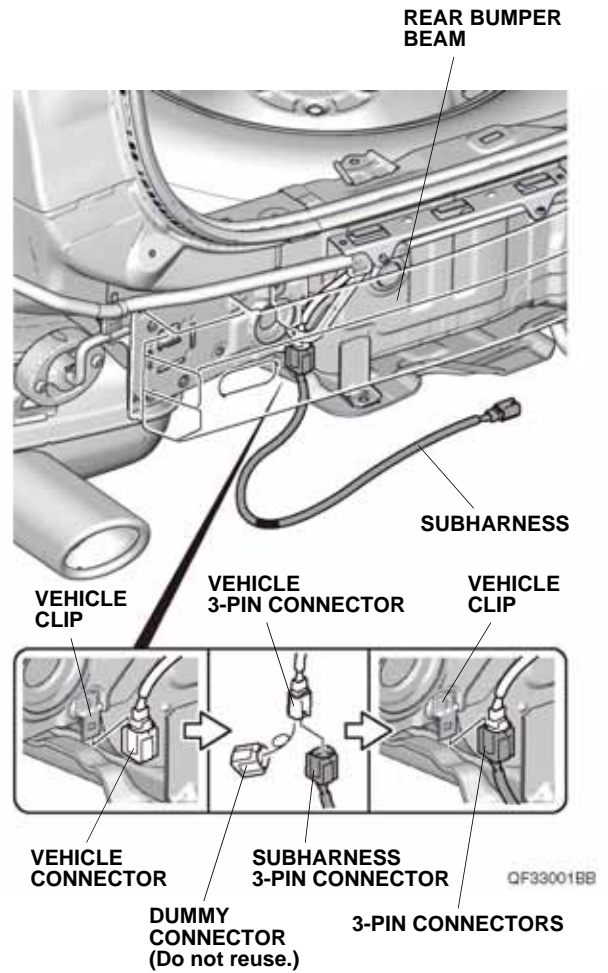


## Without accessory trailer hitch

31. Install the hands free access unit to the rear bumper with two self-tapping screws and four bumper clips B.

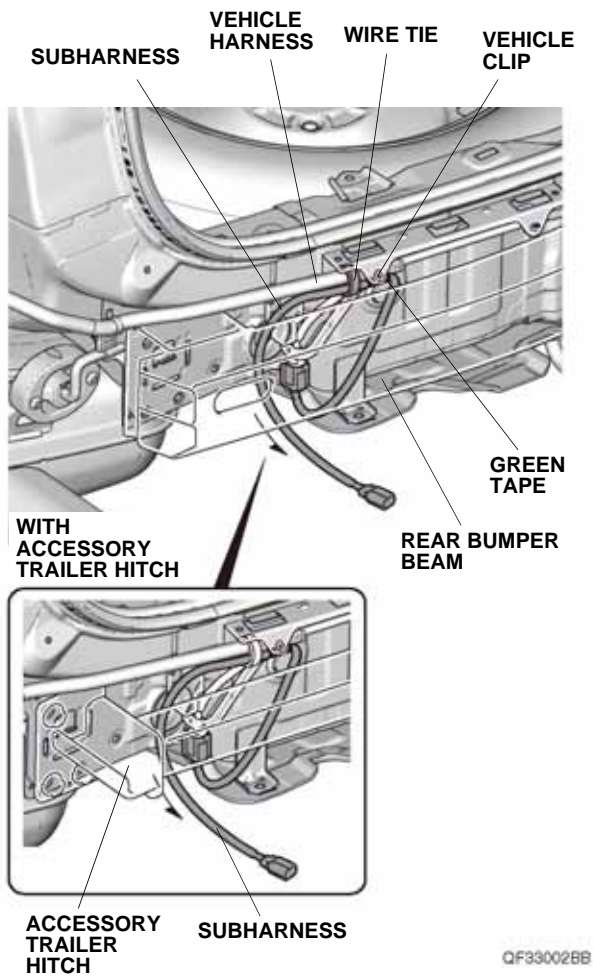


32. Release the vehicle connector from the vehicle clip, and remove the dummy connector from the vehicle 3-pin connector.

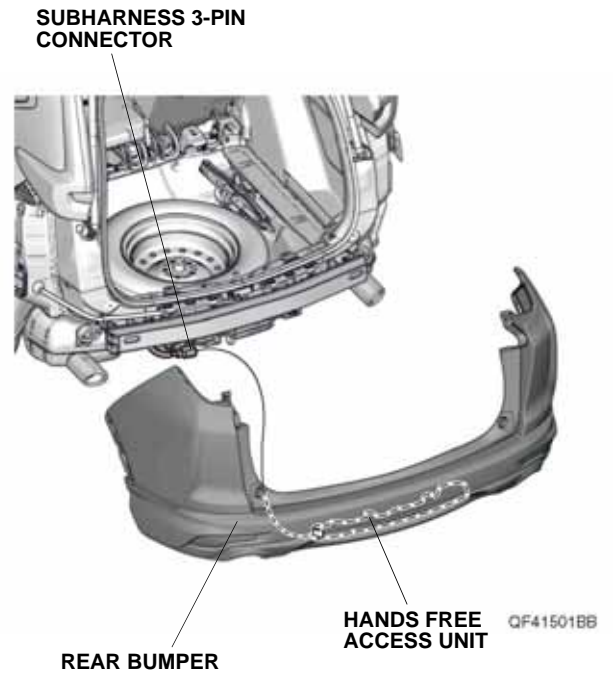


33. Plug the vehicle 3-pin connector into the subharness 3-pin connector, and secure the 3-pin connectors to the vehicle clip.

34. Route the subharness as shown. Line up the green tape on the subharness to the vehicle clip, and secure the subharness to the vehicle harness with one wire tie.



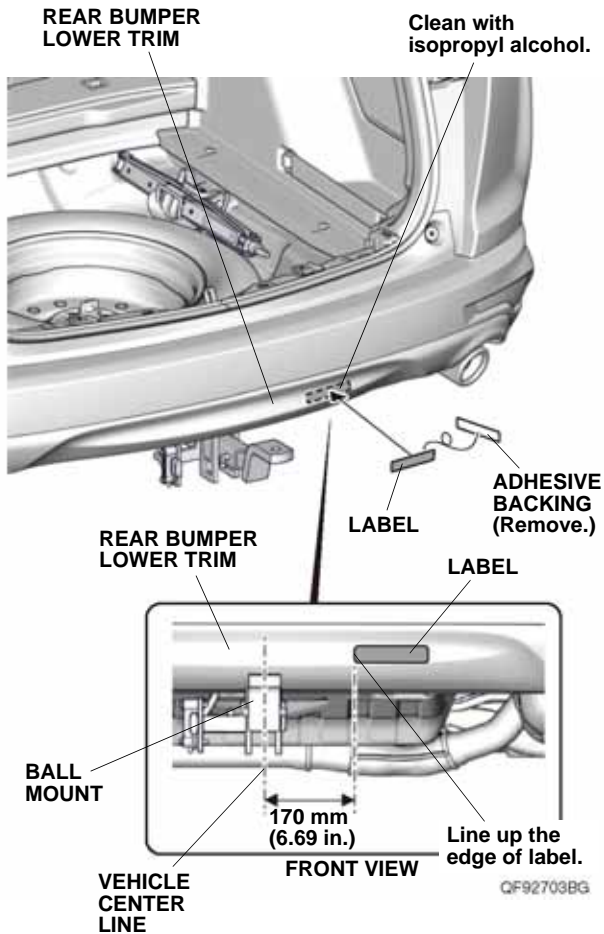
35. With the help of an assistant, bring the rear bumper close to the vehicle, and plug the subharness 3-pin connector into the hands free access unit. Install the rear bumper.



If the vehicle is equipped with the accessory trailer hitch, continue with step 36; otherwise, go to step 38.

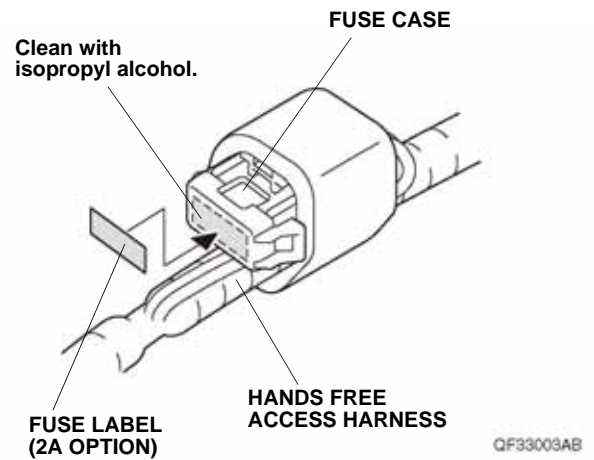
**With accessory trailer hitch**

36. Using isopropyl alcohol on a shop towel, thoroughly clean the rear bumper lower trim where the label will attach.

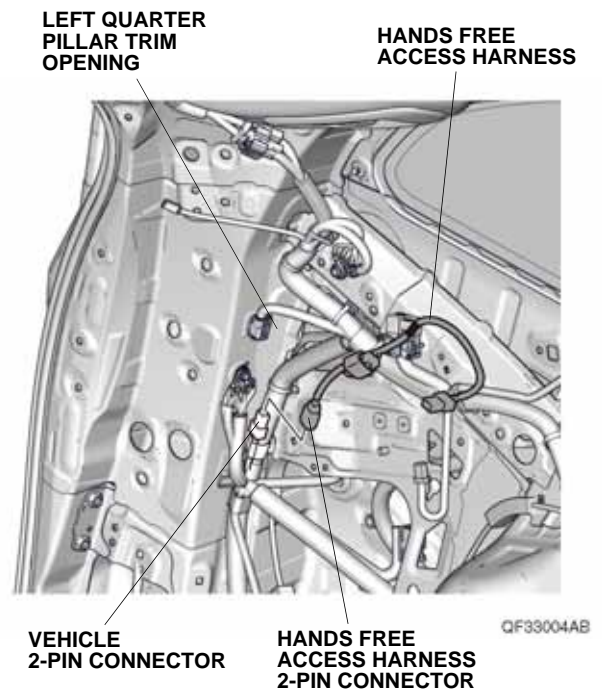


37. Remove the adhesive backing from the label, and attach the label to the rear bumper lower trim as shown.  
NOTE: Please advise the customer.

38. Using isopropyl alcohol on a shop towel, thoroughly clean the fuse case where the fuse label will attach. Attach the fuse label (2A OPTION) to the fuse case on the hands free access harness.

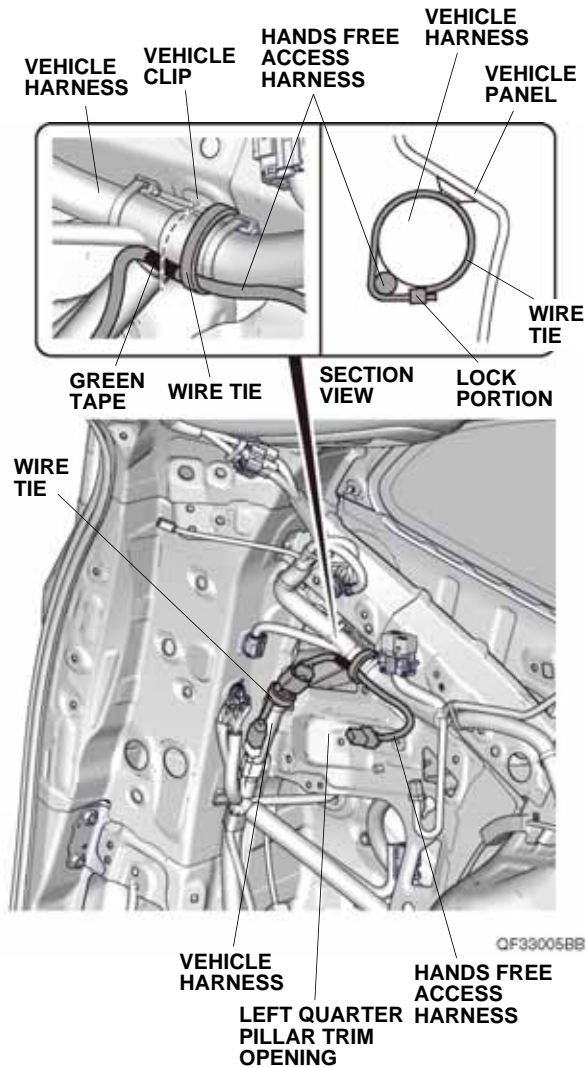


39. Plug the vehicle 2-pin connector into the hands free access harness 2-pin connector.





40. Line up the green tape on the hands free access harness to the vehicle clip, and secure the hands free access harness to the vehicle harness with one wire tie.

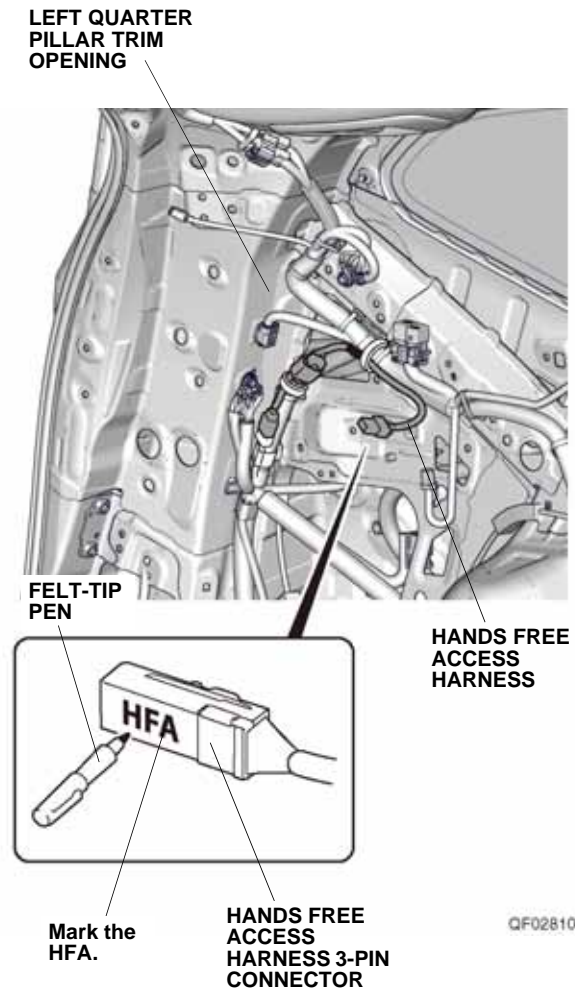


41. Secure the hands free access harness to the vehicle harness with one wire tie.

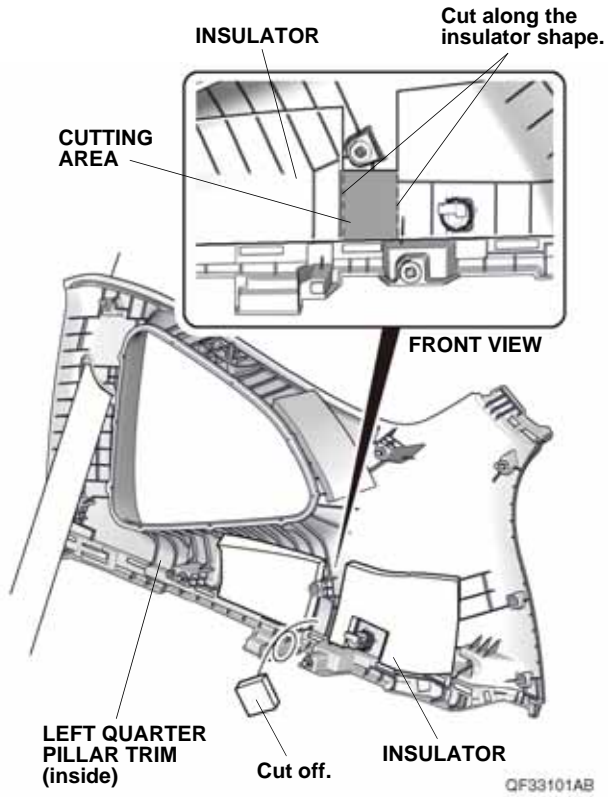
**If the vehicle is equipped with the accessory backup sensors, continue with step 42; otherwise, go to step 55.**

**With accessory backup sensors**

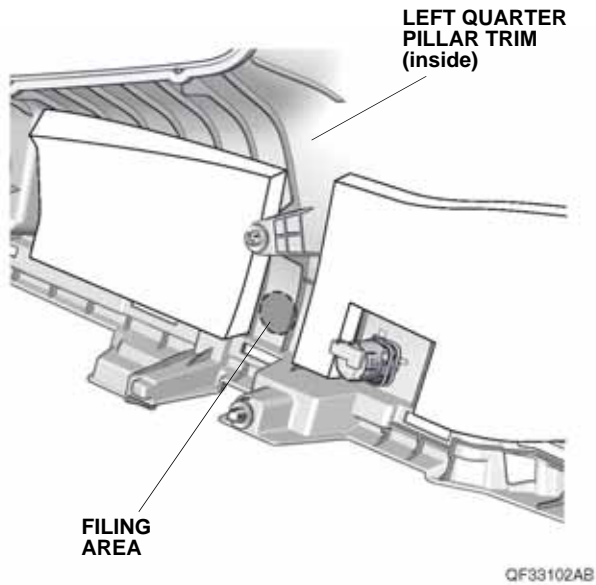
42. Using a felt-tip pen, mark the hands free access harness 3-pin connector as shown.



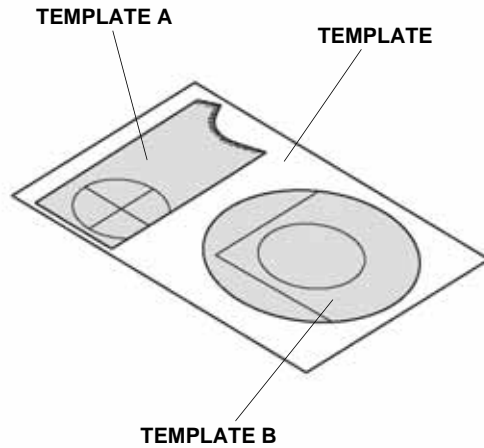
43. Using a utility knife, cut off the insulator as shown.



44. Using a file, file the adhesive on the left quarter pillar trim.

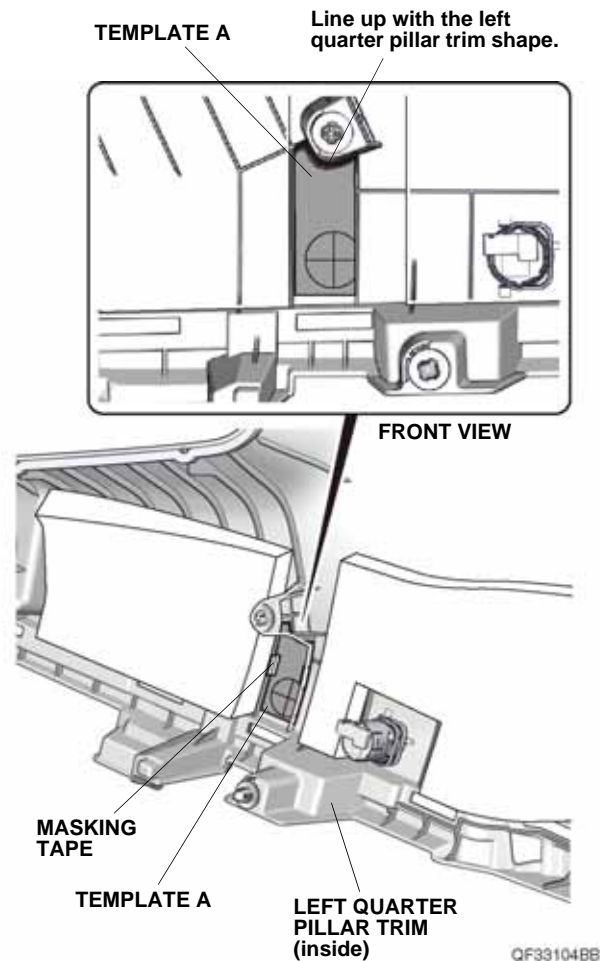


45. Using scissors, cutout template A and template B.

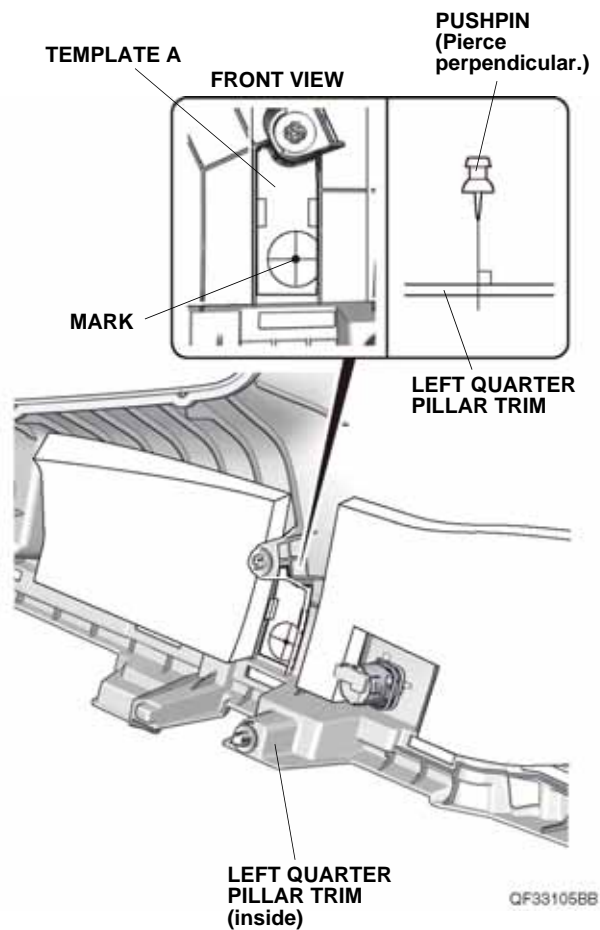


QF33103BB

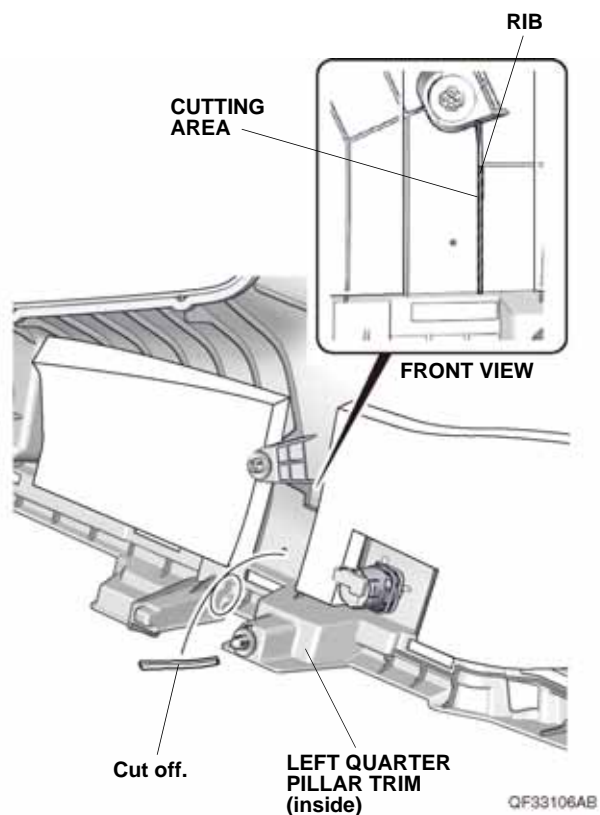
46. Line up template A with the left quarter pillar trim as shown.



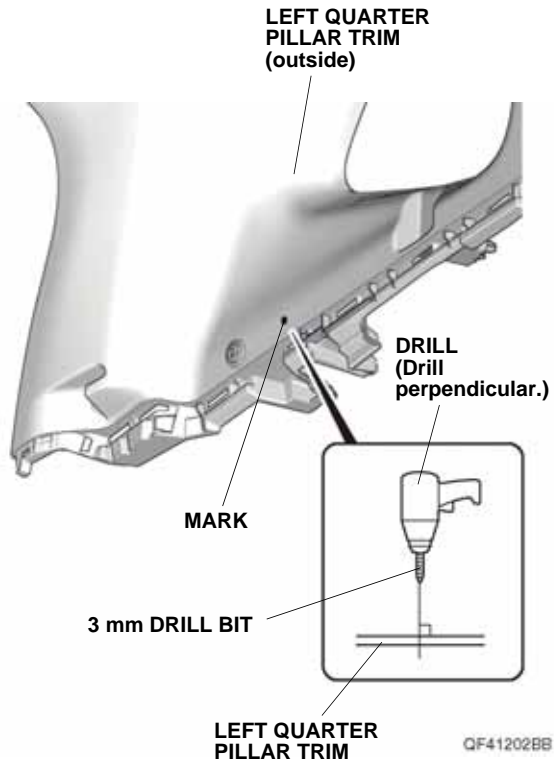
47. Using a pushpin, pierce the mark in template A. Remove the template.  
 NOTE: Make sure to pierce the mark perpendicular to the left quarter pillar trim.



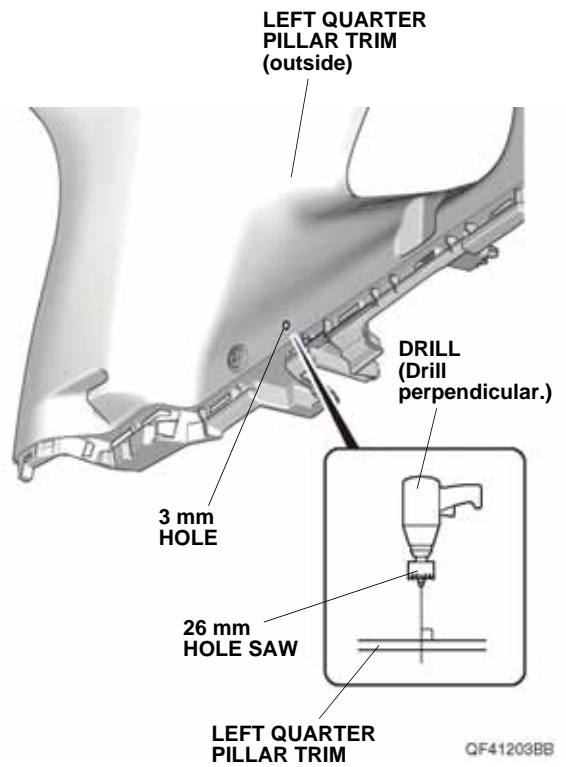
48. Using a utility knife, cut off the rib on the left quarter pillar trim as shown. Remove any burrs.



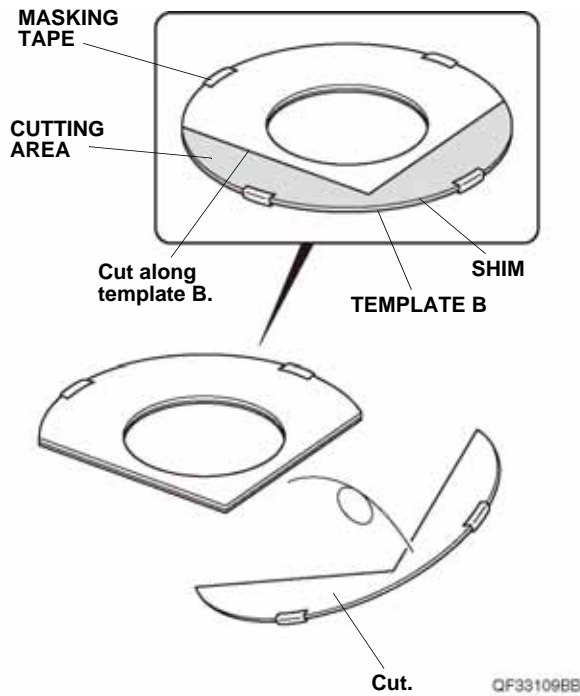
49. While wearing eye protection, drill the pierced mark on the left quarter pillar trim with a 3 mm drill bit.  
NOTE: Make sure to drill perpendicular to the left quarter pillar trim.



50. While wearing eye protection, enlarge the 3 mm hole to 26 mm using a 26 mm hole saw. Remove any burrs.  
NOTE: Make sure to drill perpendicular to the left quarter pillar trim.

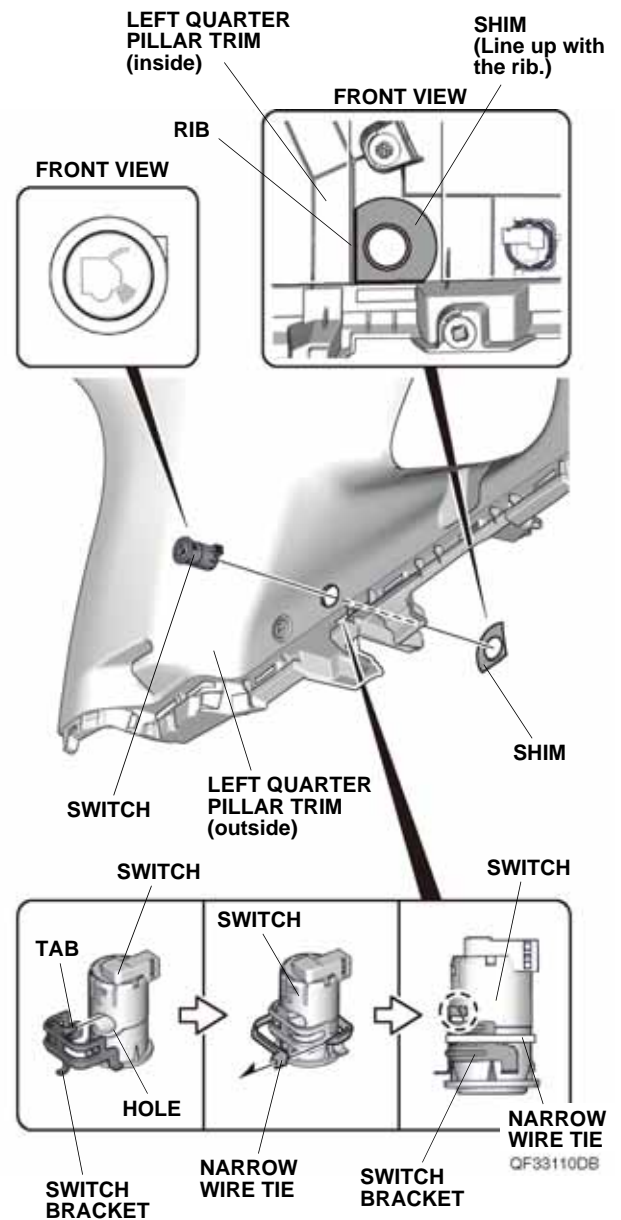


51. Secure template B to the shim with masking tape as shown.



52. Using scissors, cut the shim along template B as shown. Remove the template B.

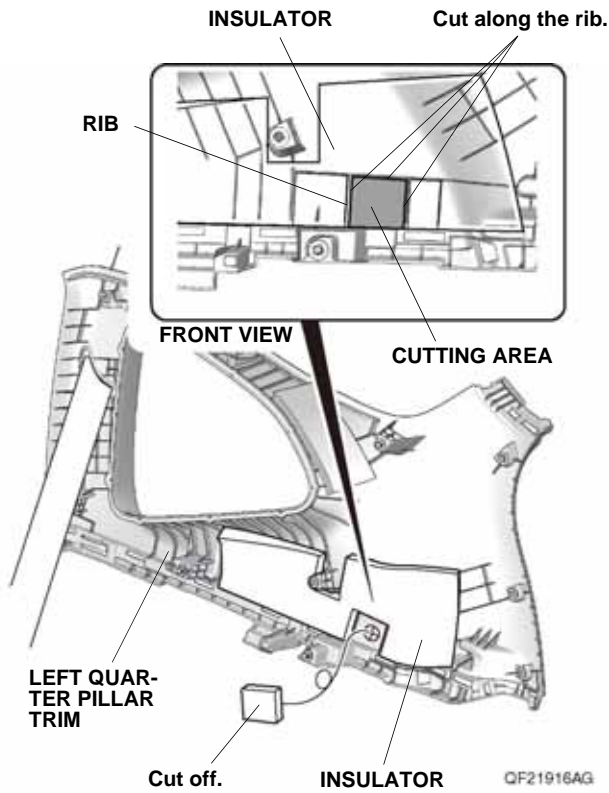
53. Install the switch into the 26 mm hole in the left quarter pillar trim. Install the shim to the switch on the left quarter pillar trim.  
NOTE: Make sure to install the switch and shim in the correct orientations.



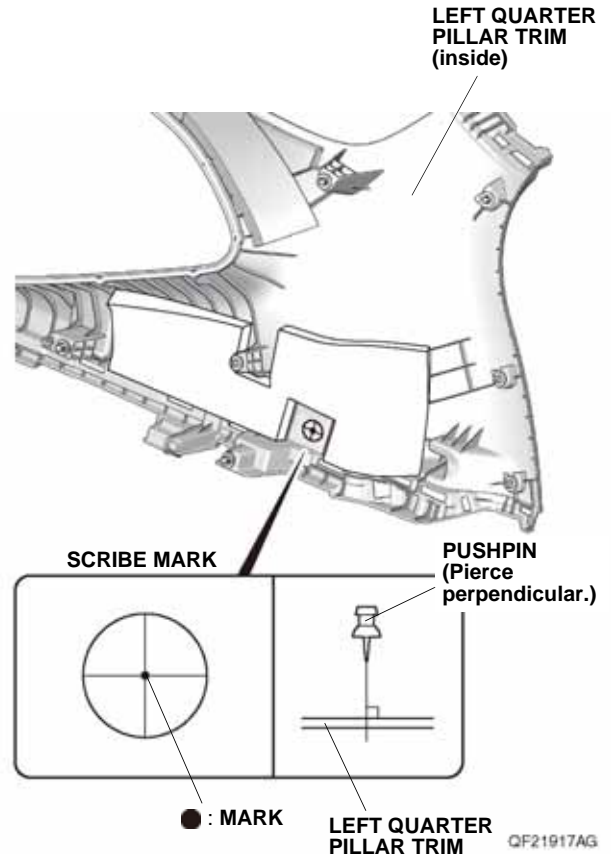
54. Line up the tab on the switch bracket with the hole on the switch, and secure the switch bracket to the switch with one narrow wire tie. Go to step 61.  
NOTE: Firmly press the switch bracket against the left quarter pillar trim, and make sure that there is no clearance between the switch and left quarter pillar trim.

**Without accessory backup sensors**

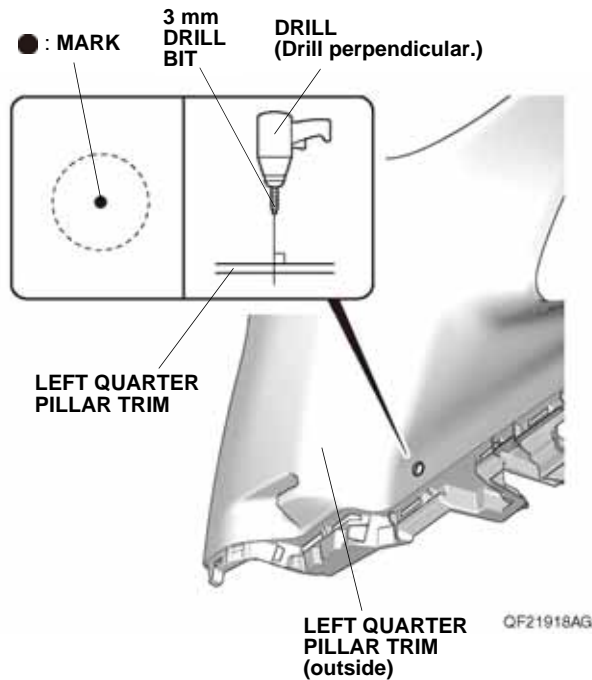
55. Using a utility knife, cut off the insulator as shown.



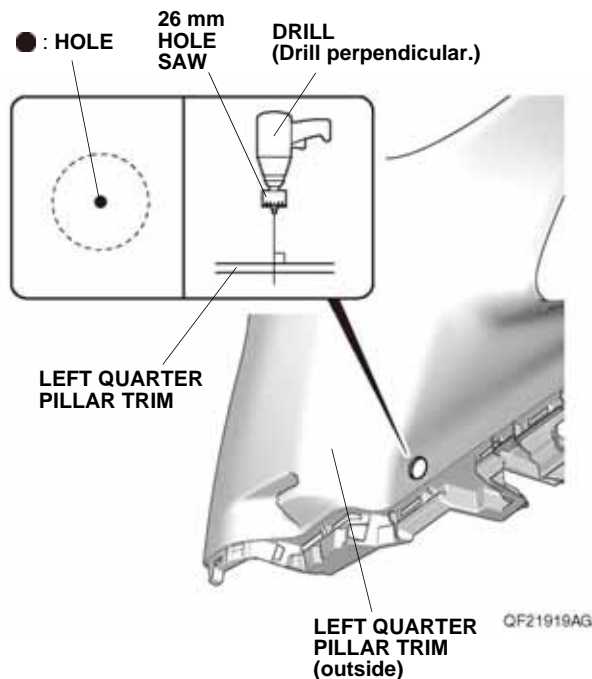
56. Using a pushpin, pierce the center of the scribe mark on the left quarter pillar trim.  
NOTE: Make sure to pierce the mark perpendicular to the left quarter pillar trim.



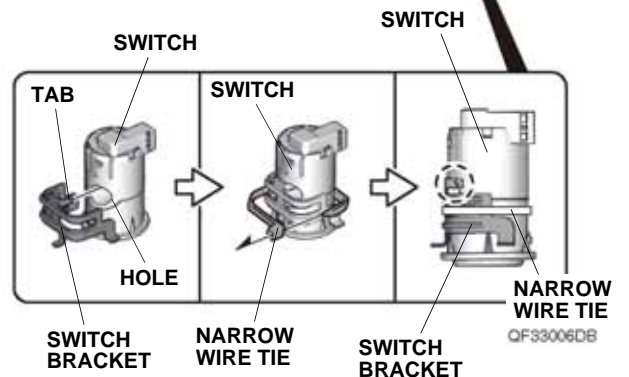
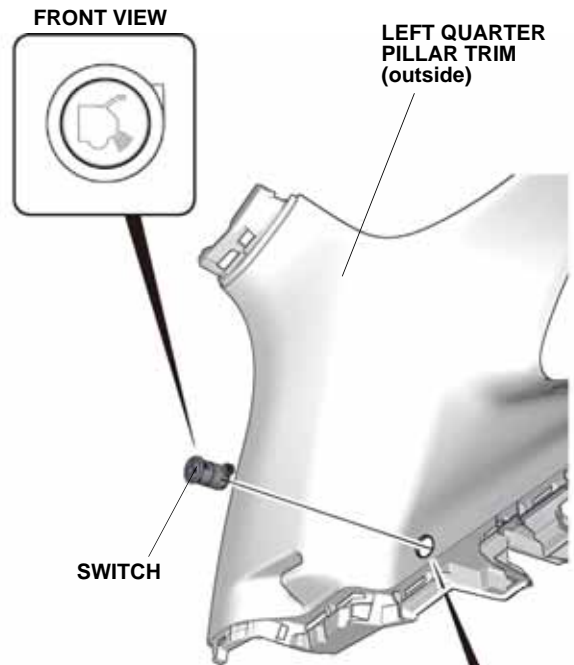
57. While wearing eye protection, drill the pierced mark on the left quarter pillar trim with a 3 mm drill bit.  
NOTE: Make sure to drill perpendicular to the left quarter pillar trim.



58. While wearing eye protection, enlarge the 3 mm hole to 26 mm using a 26 mm hole saw. Remove any burrs.  
NOTE: Make sure to drill perpendicular to the left quarter pillar trim.

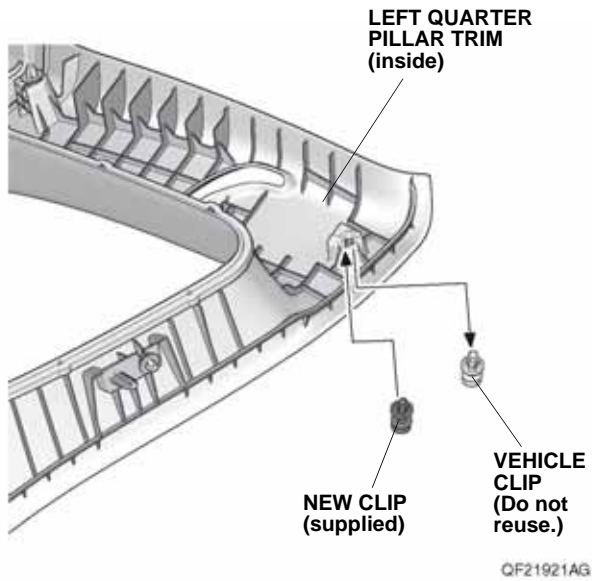


59. Install the switch into the 26 mm hole in the left quarter pillar trim.  
NOTE: Make sure to install the switch in the correct orientation.

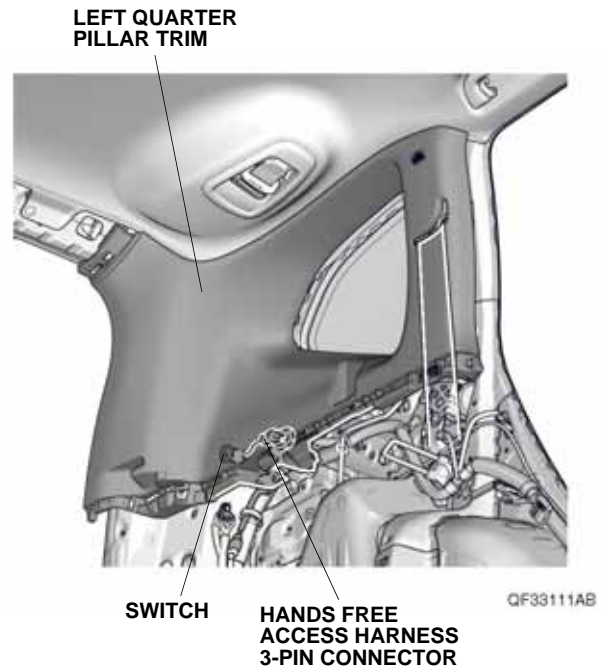


60. Line up the tab on the switch bracket with the hole on the switch, and secure the switch bracket to the switch with one narrow wire tie.  
NOTE: Firmly press the switch bracket against the left quarter pillar trim, and make sure that there is no clearance between the switch and left quarter pillar trim.

61. Remove the vehicle clip and install the new clip to the left quarter pillar trim.



62. With the left quarter pillar trim in position, plug the hands free access harness 3-pin connector into the switch.



63. Check the overlap between the headliner and the left quarter pillar trim.  
NOTE: Check and adjust the overlap as described in the service information.
64. Install the left quarter pillar trim.  
NOTE: Make sure the side curtain airbag is not tucked under the clip. Do not push the left quarter pillar trim excessively.
65. Check that all wire harnesses are routed properly and all connectors are plugged in.
66. Install all removed parts.
67. Connect the negative cable to the battery.
68. Press and hold the audio unit power button for 2 seconds to restore the audio and navi (if equipped) system functions.
69. Set the clock on vehicles without navigation.

#### **Check the Operation of the Hands Free Access**

70. Check that the hands free access works as described in the Accessory User's Information Manual supplied with the hands free access kit.