



# INSTALLATION INSTRUCTIONS

Accessory  
**FRONT AERO BUMPER**  
P/N 08P98-TLA-100

Application  
**2017 CR-V**

Publications No.  
**VERSION 1**  
Issue Date  
**DEC 2016**

## PARTS LIST

Front aero bumper



## TOOLS AND SUPPLIES REQUIRED

Phillips screwdriver  
Stubby Phillips screwdriver  
10 mm Open end wrench  
Masking tape  
Blanket

*The following tools are available through the Honda Tool and Equipment Program. On the iN, click on: Service > Service Bay > Tool and Equipment Program, then enter the number under "Search." Or, call 888-424-6857.*

- Trim Tool Set (T/N SOJATP2014)
- Plastic Trim Tool (T/N SILTRIMTL10)

### Illustration of the Front Aero Bumper on the Vehicle



## INSTALLATION

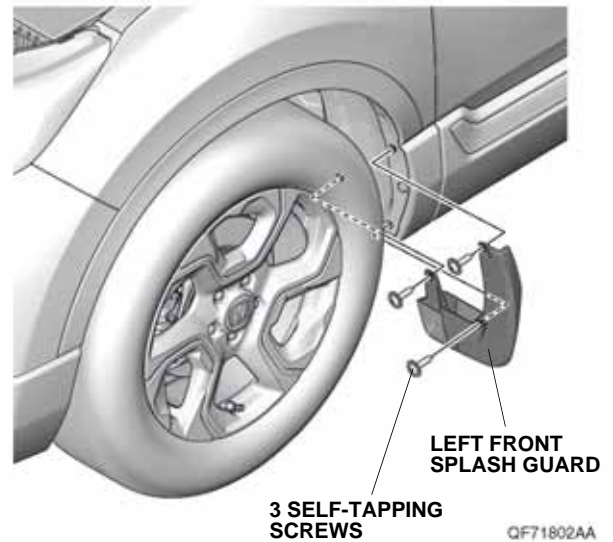
**Customer Information:** The information in this installation instruction is intended for use only by skilled technicians who have the proper tools, equipment, and training to correctly and safely add equipment to your vehicle. These procedures should not be attempted by "do-it-yourselfers."

1. Disconnect the negative cable from the battery.

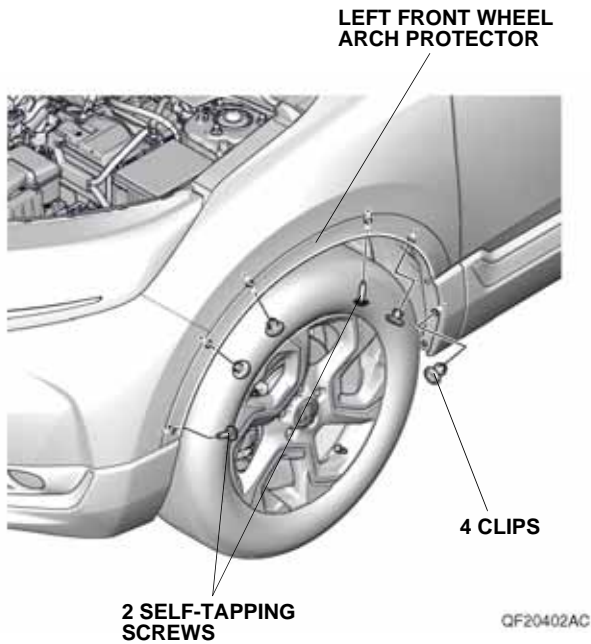
**If the vehicle is equipped with splash guards, continue with step 2; otherwise, go to step 3.**

### With splash guards

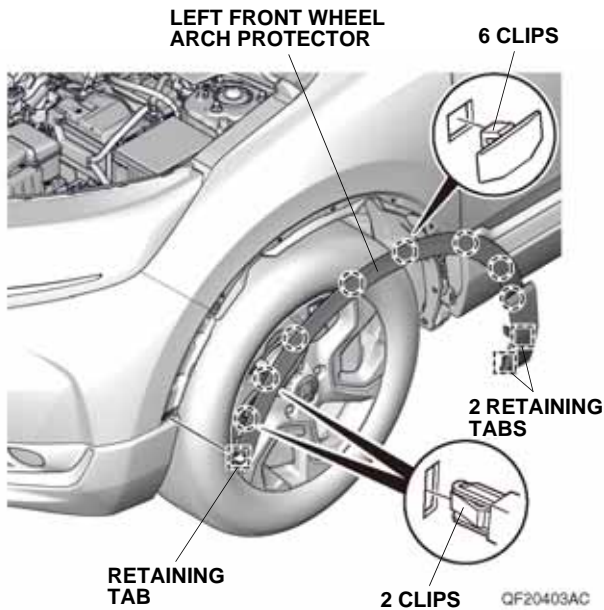
2. Remove the left front splash guard.



- Remove the self-tapping screws, and clips from the left front wheel arch protector as shown.

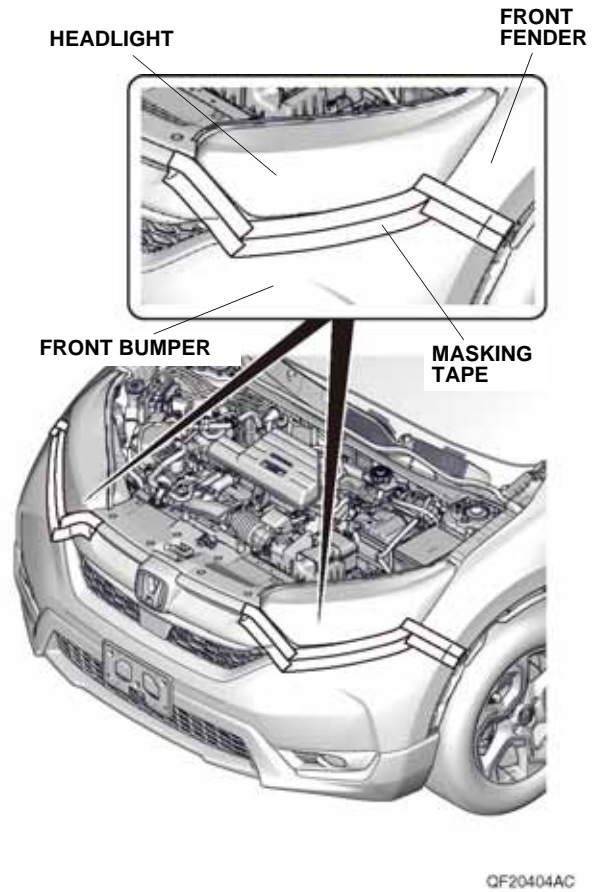


- Remove the left front wheel arch protector as shown.

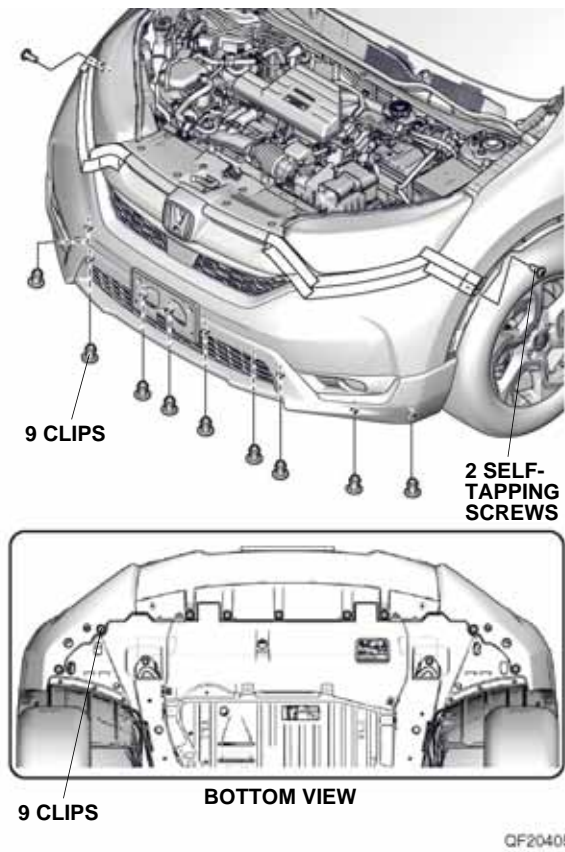


- Repeat steps 2 through 4 on the right side of the vehicle.

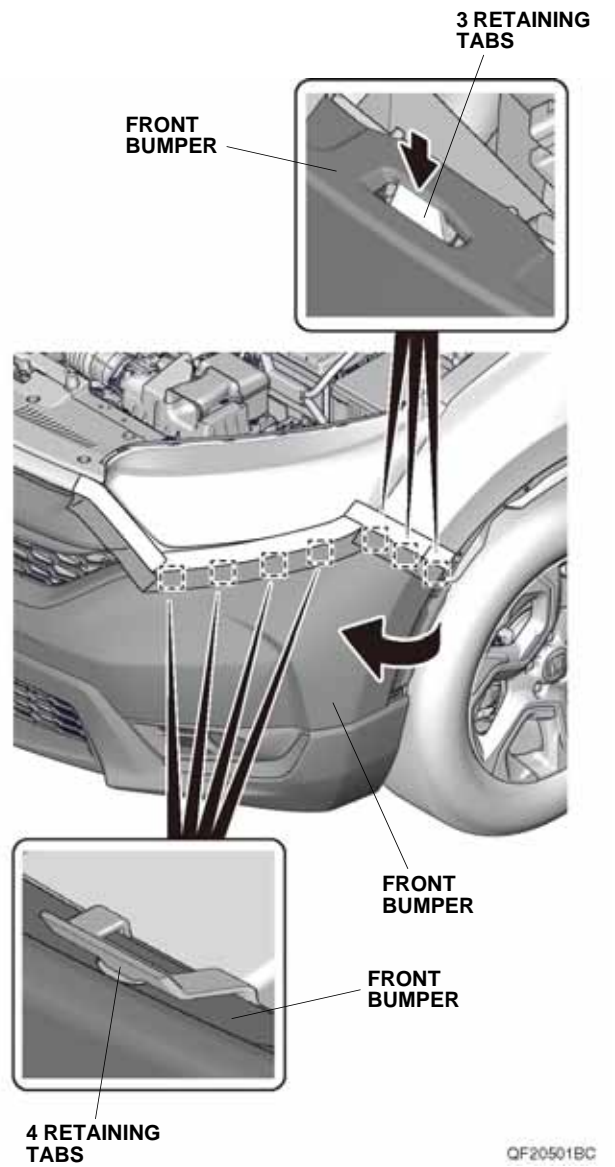
- Remove the front bumper:
  - Apply masking tape on each side as shown.



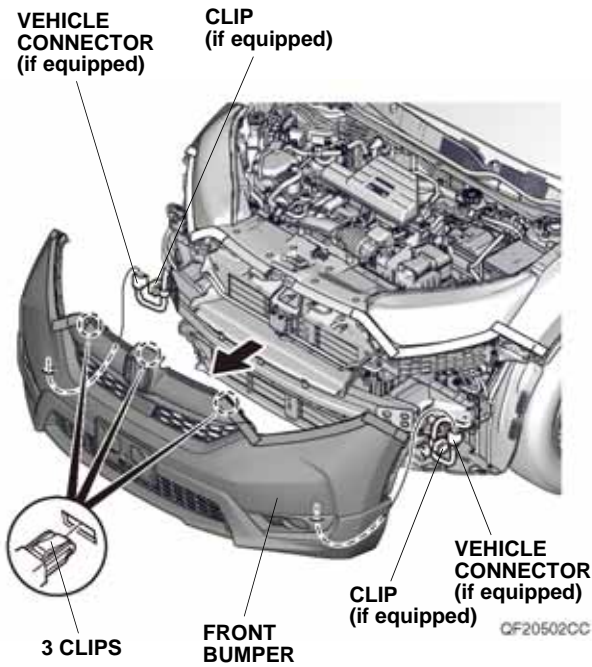
- Remove the self-tapping screws and clips as shown.



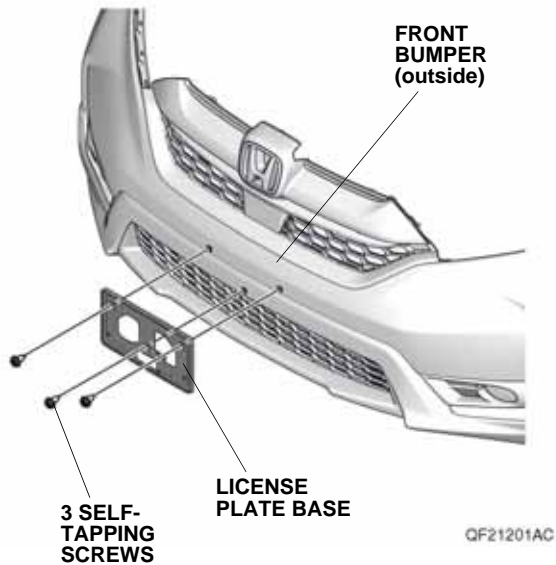
- With the help of an assistant, release the seven retaining tabs on each side.



- With the help of an assistant, remove the front bumper and unplug the vehicle connectors (if equipped).
- Place the front bumper on a blanket.



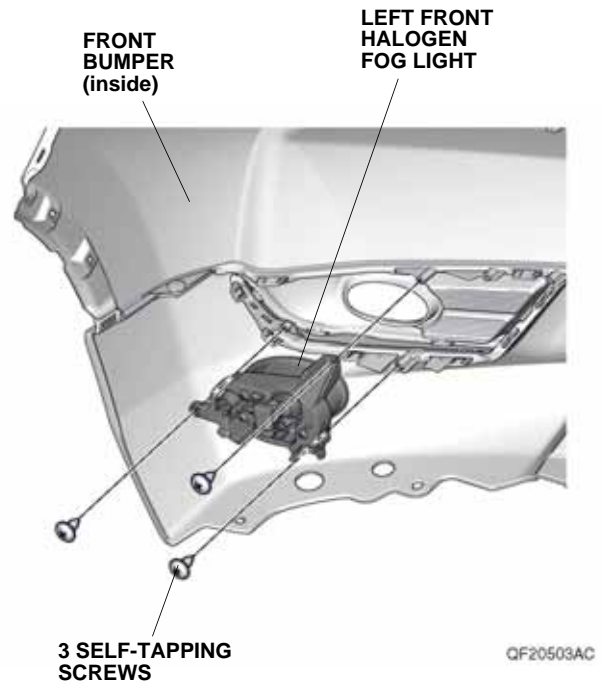
7. Remove the license plate base from the front bumper (if equipped).



**If the vehicle is equipped with halogen fog lights, continue with step 8; if the vehicle is equipped with LED fog lights, go to step 9; otherwise, go to step 10.**

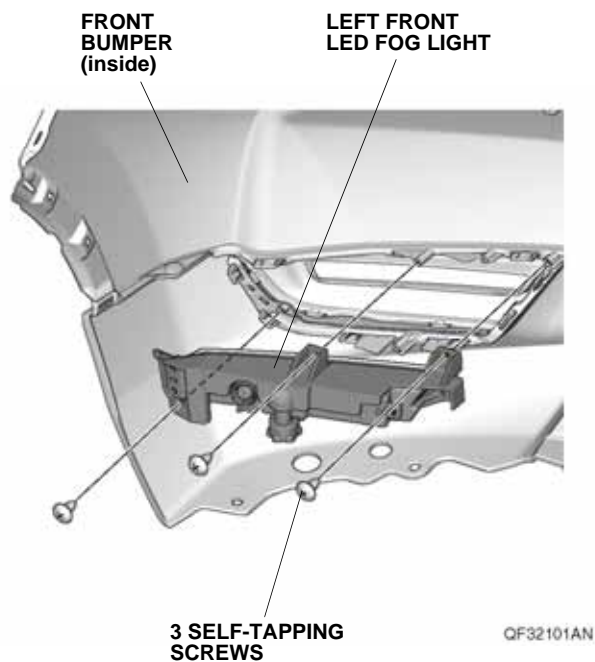
**With halogen fog lights**

8. Remove the left front halogen fog light from the front bumper. Repeat for the right front halogen fog light. Go to step 10.

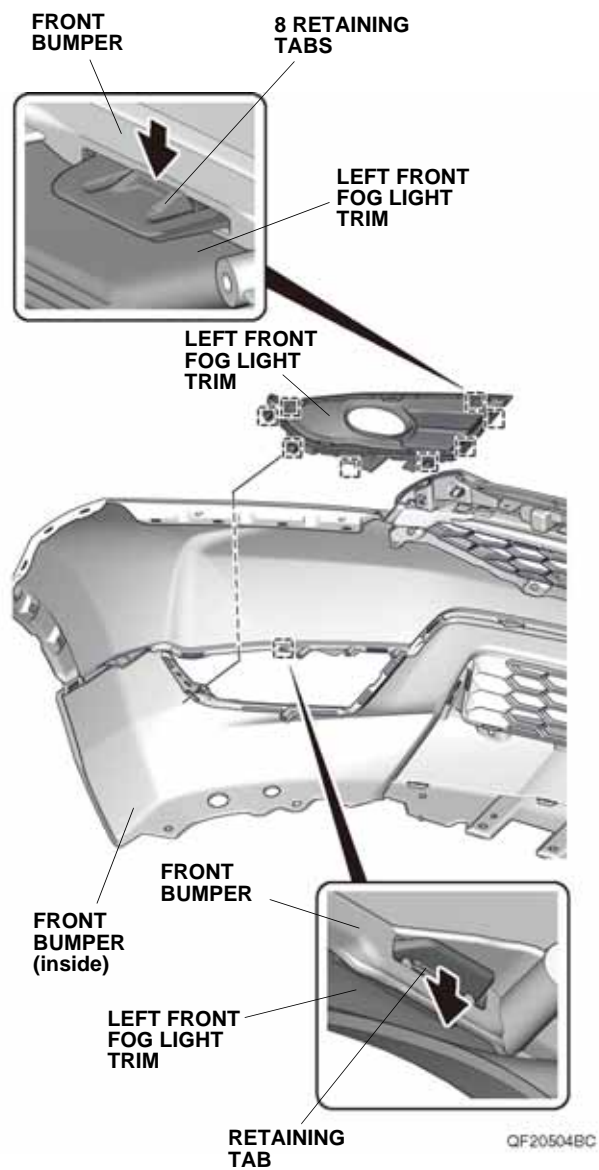


### With LED fog lights

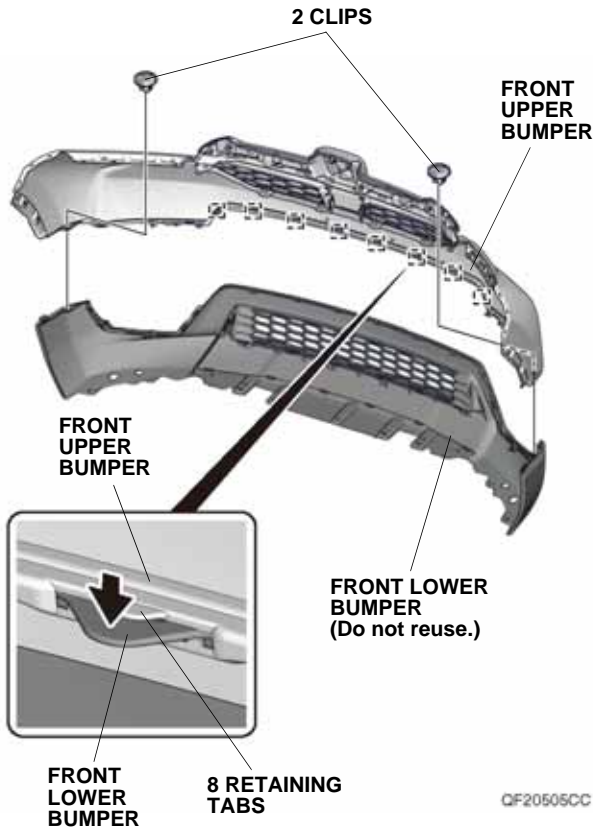
9. Remove the left front LED fog light from the front bumper. Repeat for the right front LED fog light.



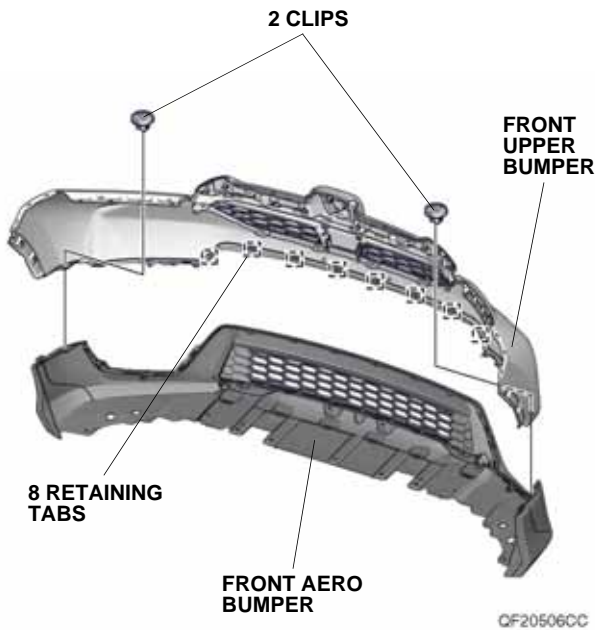
10. Remove the left front fog light trim from the front bumper. Repeat for the right front fog light trim.



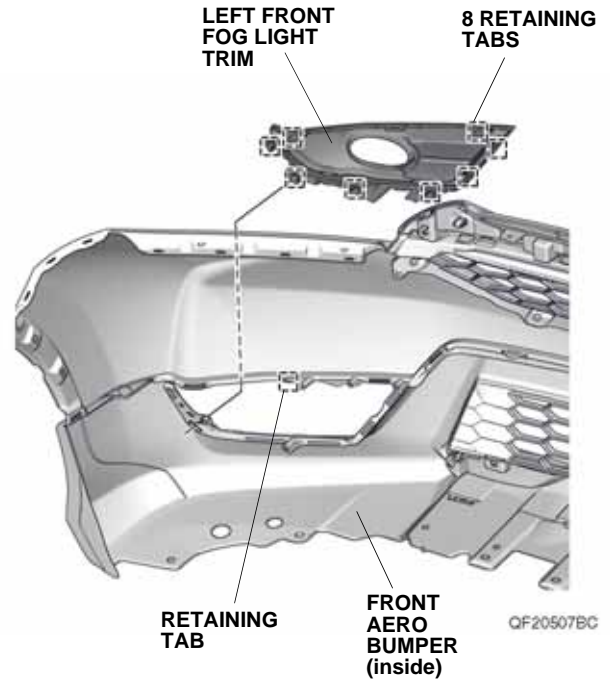
- Remove the front lower bumper from the front upper bumper.



- Install the front aero bumper to the front upper bumper with two clips and eight retaining tabs.



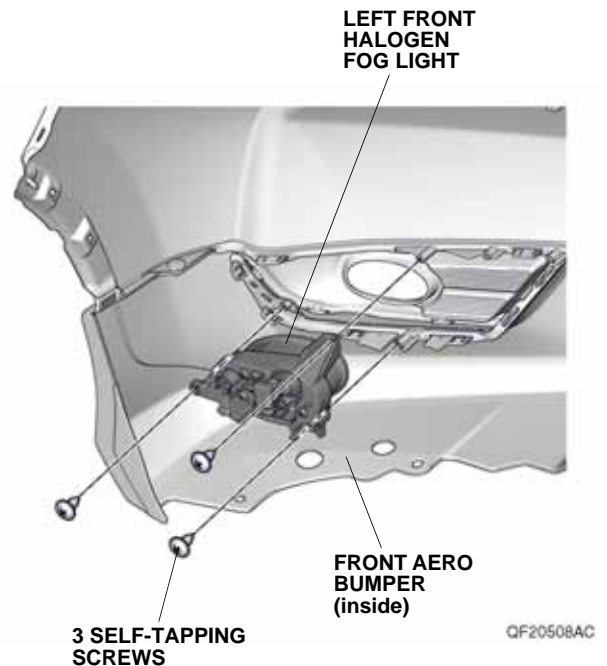
- Install the left front fog light trim to the front aero bumper with nine retaining tabs. Install the right front fog light trim the same way.



If the vehicle is equipped with halogen fog lights, continue with step 14; if the vehicle is equipped with LED fog lights, go to step 15; otherwise, go to step 16.

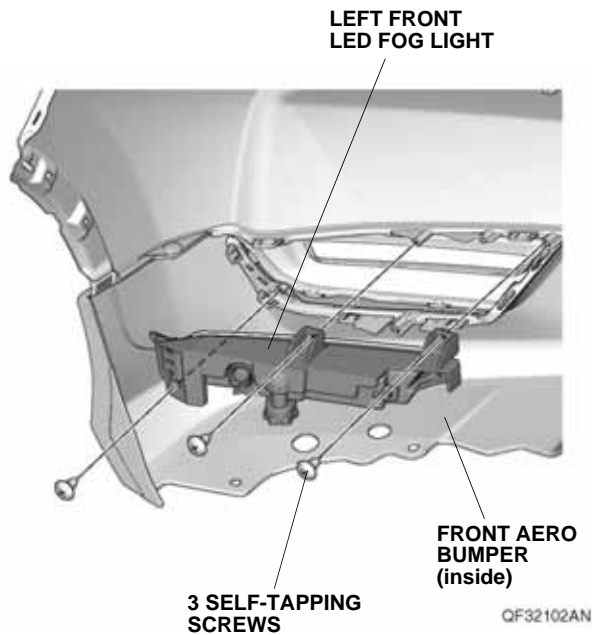
#### With halogen fog lights

- Install the left front halogen fog light to the front aero bumper with three self-tapping screws. Repeat for the right front halogen fog light. Then, go to step 16.

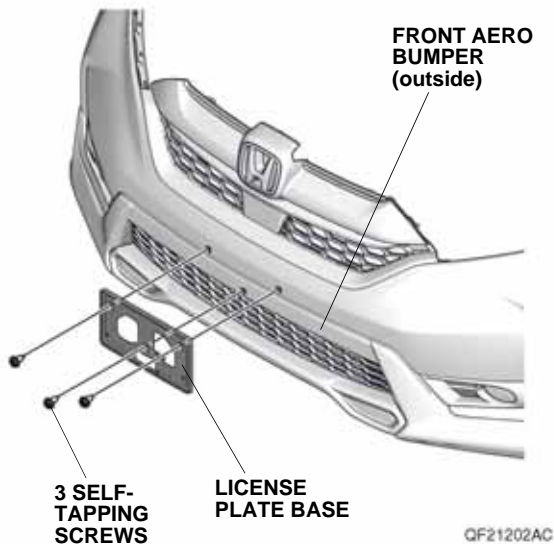


## With LED fog lights

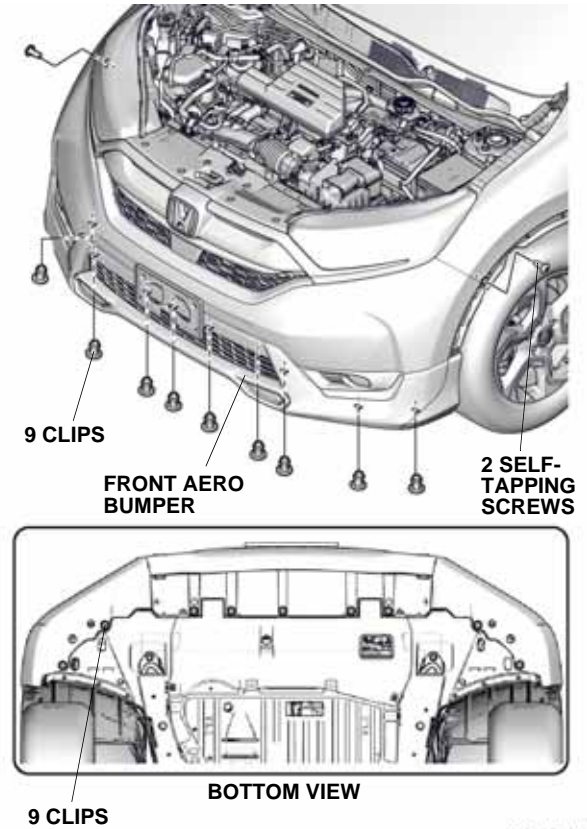
15. Install the left front LED fog light to the front aero bumper with three self-tapping screws. Repeat for the right front LED fog light.



16. Install the license plate base to the front aero bumper with three self-tapping screws (if equipped).



17. With the help of an assistant, install the front aero bumper with two self-tapping screws and nine clips.



18. Check that all wire harnesses are routed properly and all connectors are plugged in.
19. Install all removed parts.
20. Connect the negative cable to the battery.
21. Press and hold the audio unit power button for 2 seconds to restore the audio and navi (if equipped) system functions.
22. Set the clock on vehicles without navigation.
23. If necessary, restore the systems back to normal operation as described in the service information.