



# INSTALLATION INSTRUCTIONS

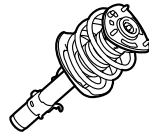
Accessory  
SPORTS SUSPENSION  
P/N 08W60-T3M-100 A/T  
P/N 08W60-T3M-100A M/T

Application  
2017 ACCORD  
2-DOOR

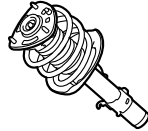
Publications No.  
**VERSION 1**  
Issue Date  
**JUN 2016**

## PARTS LIST

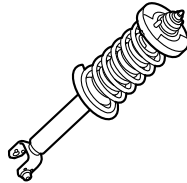
Right front damper assembly



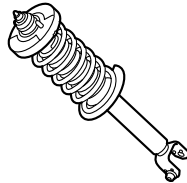
Left front damper assembly



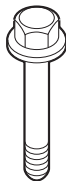
Right rear damper assembly



Left rear damper assembly



2 Flange bolts, 12 x 80 mm



6 Flange nuts A, 10 mm



4 Flange nuts B, 10 mm



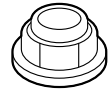
4 Flange nuts C, 12 mm



2 Castle nuts, 14 mm



2 Spindle nuts



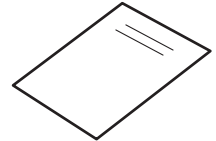
2 Lock Pins



2 Cotter Pins



Important Information



## TOOLS AND SUPPLIES REQUIRED

Ratchet

Torque wrench

10mm, 12mm, 14mm, 17mm, 18mm, and 19mm Sockets

Floor jack

Ball joint thread protector, 12 mm P/N: 07AAF-SDAA100

## INSTALLATION

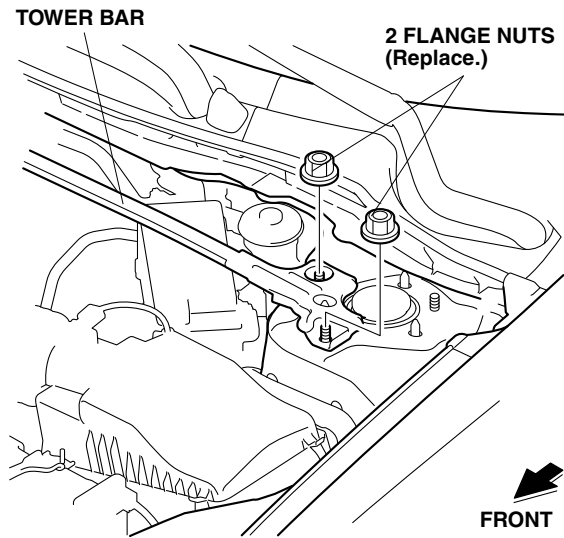
**Customer Information:** The information in this installation instruction is intended for use only by skilled technicians who have the proper tools, equipment, and training to correctly and safely add equipment to your vehicle. These procedures should not be attempted by "do-it-yourselfers."

### NOTE:

- Inflate the tires to the specified air pressure.
- Follow the procedure, safety notes, and precautions in the applicable Service Manual.
- Install the right and left dampers in the proper positions. The damper marked R goes on the right side; the damper marked L goes on the left side.
- These dampers are designed to be used exclusively with this model and should not be used with other models.
- These instructions are for the left side. The same procedure applies to the right side.

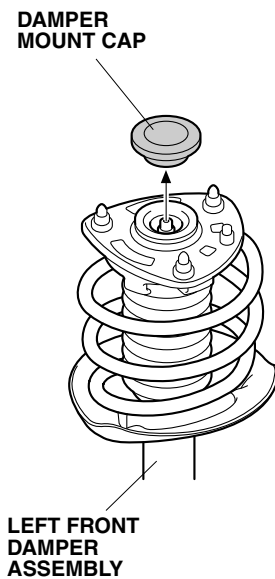
## Installing the Front Dampers

1. Open the hood and remove the front tower bar (two bolts on each side).



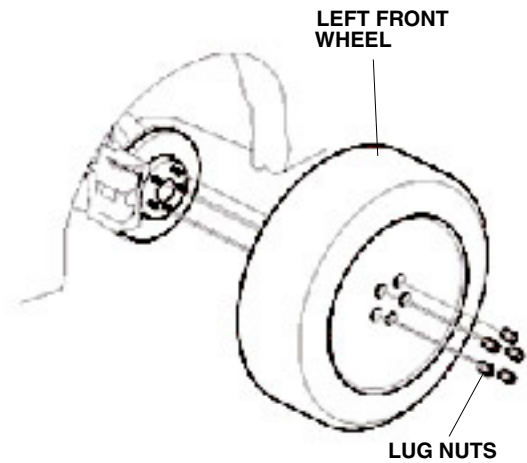
QB02205

2. With the vehicle on a lift and not raised, remove the damper mount cap from the front damper, and loosen the mounting bolts.

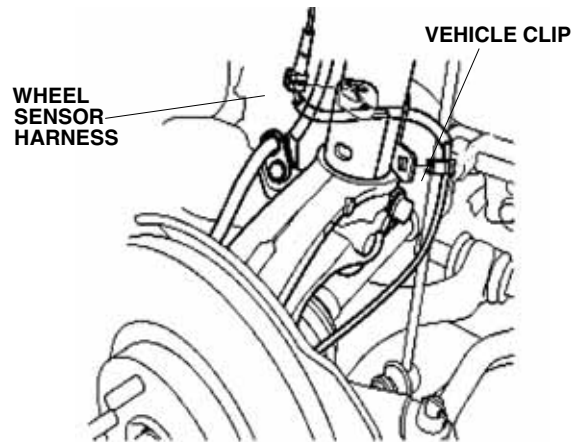


QB40201BB

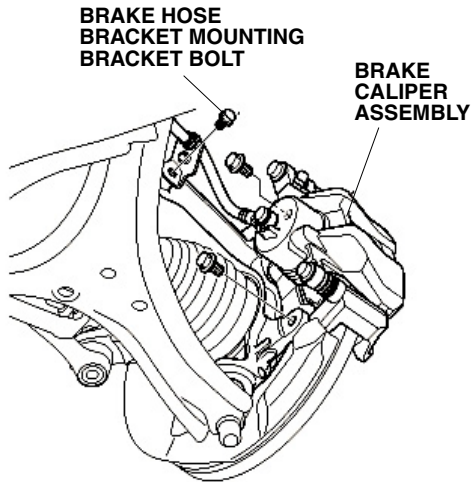
3. Raise the vehicle, and remove the left front wheel.



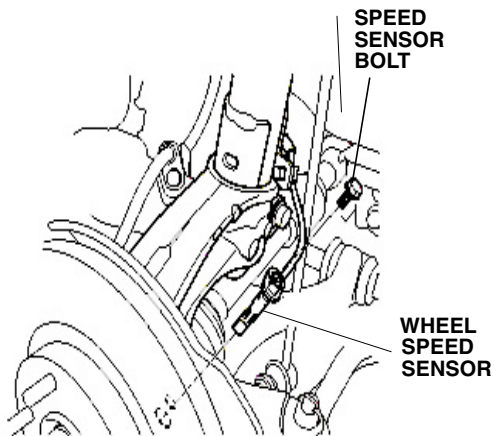
4. Release the wheel sensor harness and vehicle clip from the left front damper assembly.



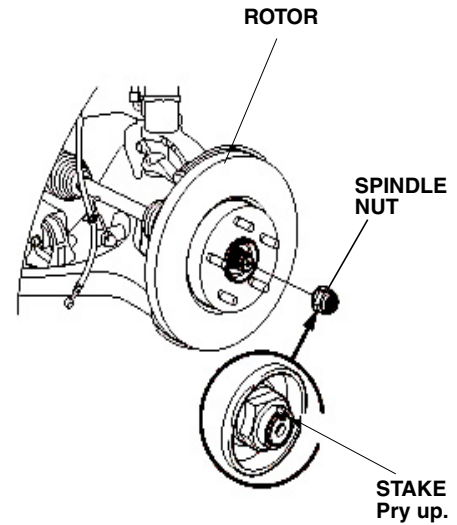
5. Remove the brake hose bracket mounting bolt.



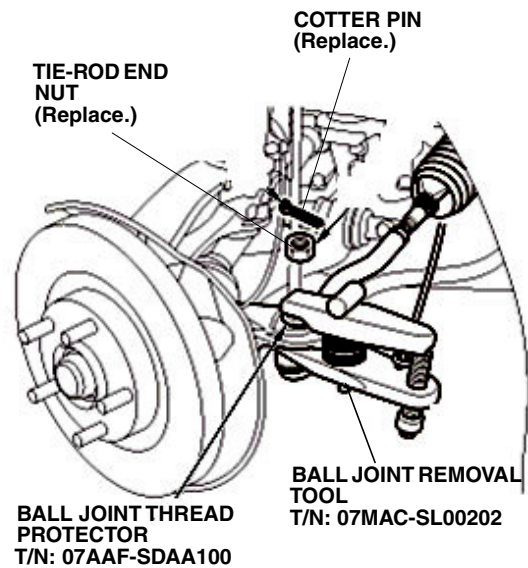
6. Remove the caliper assembly (two bolts).  
NOTE:
- To prevent damage to the caliper assembly or brake hose, use a short piece of wire to hang the caliper assembly from the undercarriage.
  - Do not twist the brake hose excessively.
7. Remove the wheel speed sensor (one bolt).



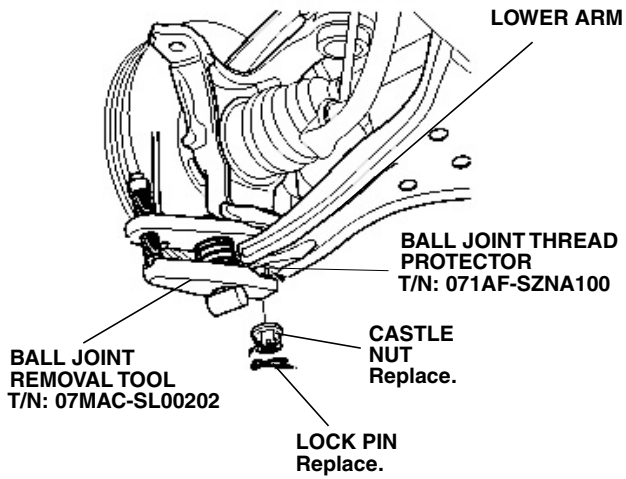
8. Pry up the stake on the spindle nut, and remove the spindle nut.



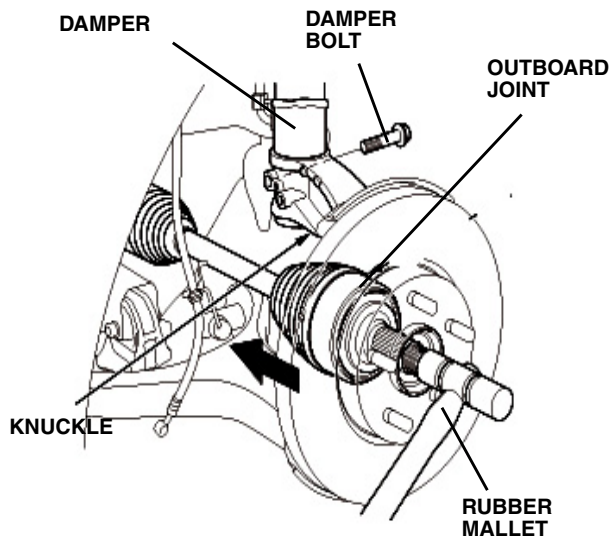
9. Remove the cotter pin from the tie-rod end, and remove the tie-rod end nut. Using the ball joint remover, disconnect the tie-rod from the knuckle.



- Remove the lock pin, then remove the castle nut. Using the ball joint remover, disconnect the ball joint from the lower arm.



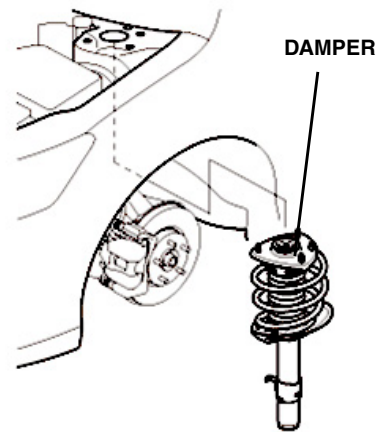
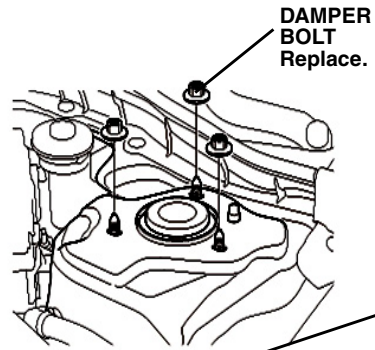
- Remove the damper pinch bolt. Rotate the knuckle down, and remove the knuckle from the damper.



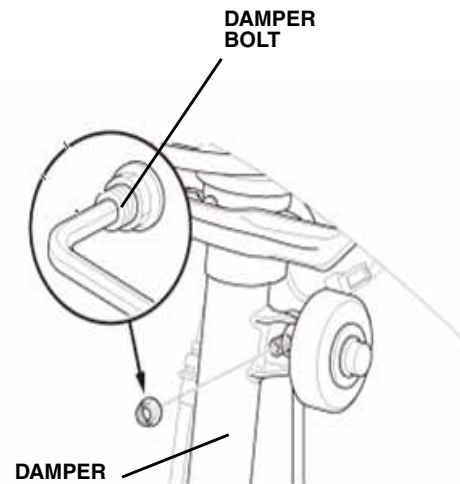
- Pull the knuckle outward, and separate the outboard joint from the front hub using a rubber mallet.

**NOTE:** Do not remove the driveshaft from the differential.

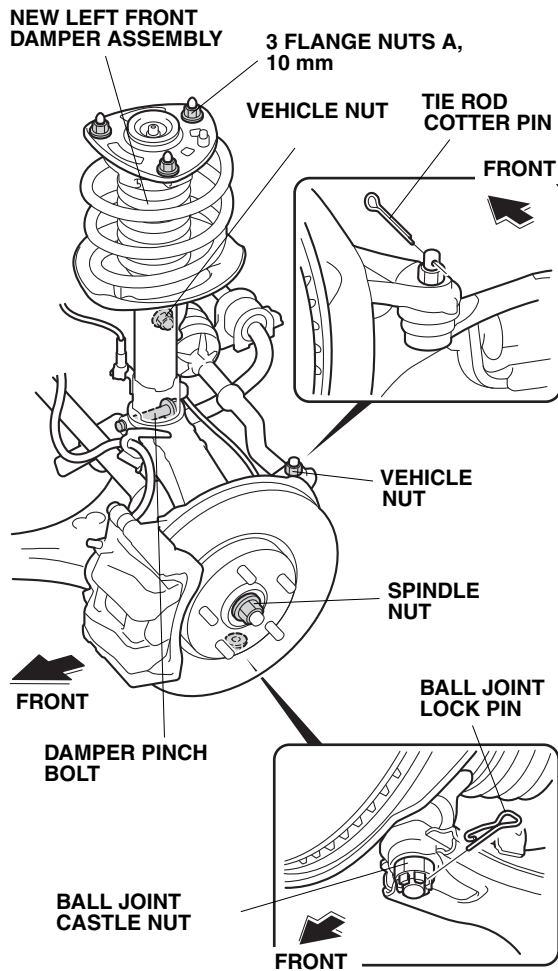
- While holding the damper, remove the flange bolts loosened in step 2, and remove the damper.



- Remove the stabilizer link from the removed damper (one bolt), and transfer it to the new left front damper.



15. Install the new damper:
  - Install the damper into the shock tower and loosely install the three new flange nuts.
  - Reinstall the knuckle. Install the new spindle nut, and the new 14 mm castle nut.
  - Reinstall the brake caliper, and torque the bolts to **50 N•m (37 lb-ft)**.
  - Install the speed sensor and reattach the wheel sensor harness to the damper.



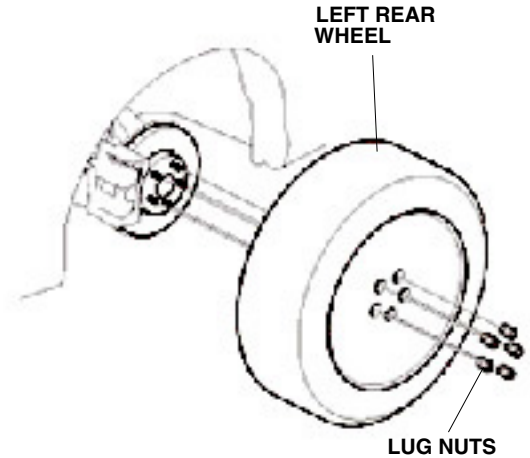
QC51002AG

16. Load the suspension with the vehicle weight and torque the nuts and bolts.
  - Flange nuts 10 mm nuts **44 N•m (32 lb-ft)**
  - Ball joint 14 mm castle nut **55-69 N•m (44-51 lb-ft)**, and install the new pin.
  - Damper pinch bolt **74 N•m (55 lb-ft)**
  - Tie-rod end nut **54 N•m (40 lb-ft)**, and reinstall the new cotter pin.
  - Spindle nut **328 N•m (242 lb-ft)** and stake the nut.

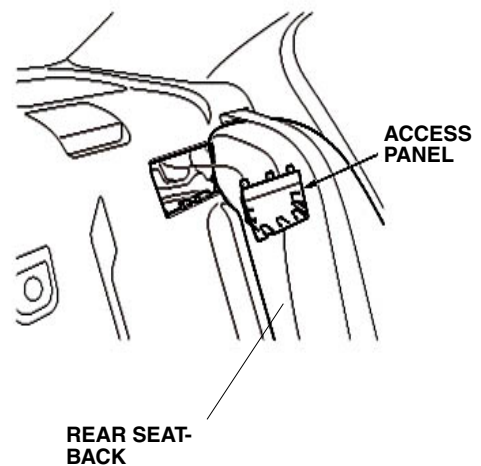
17. Install the damper mount cap (removed in step 2) to the new damper.
18. Repeat steps 2 through 17 to install the new damper of the right side of the vehicle.
19. Reinstall the tower bar and torque the nuts to **38 N•m (28 lb-ft)**.

### Installing the Rear Dampers

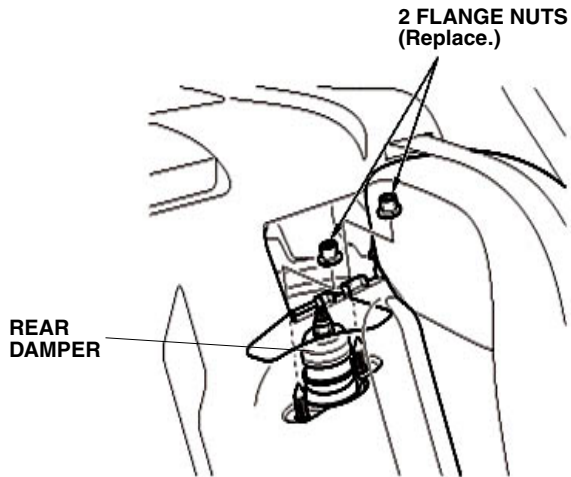
20. Remove the left rear wheel.



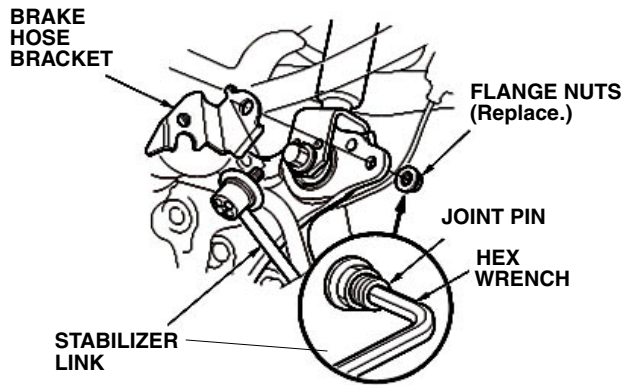
21. Fold down the rear seat-back. Remove the access panel.



22. Remove the flange nuts.

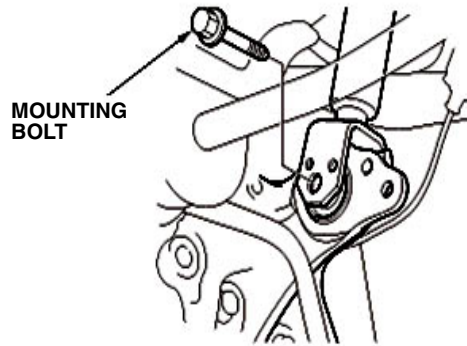


23. While holding the joint pin with a hex wrench, remove the flange nut from the stabilizer link.

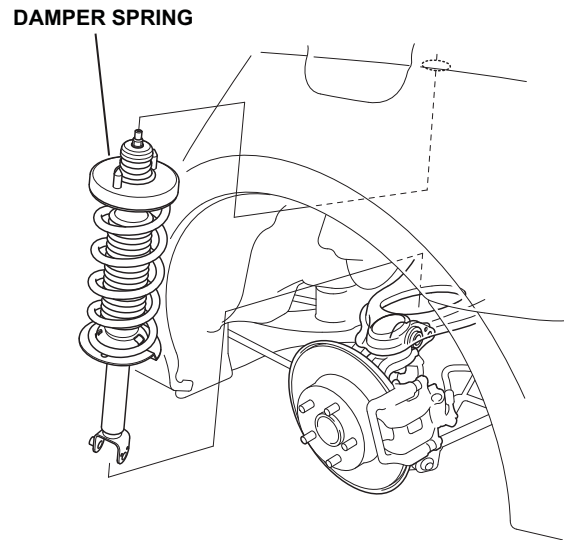


24. Disconnect the stabilizer link from the knuckle and remove the brake hose bracket.

25. Remove the damper lower mounting bolt.



26. Remove the damper spring.



27. Loosley install the flange nuts, and the damper lower mounting bolt.
28. Install the brake hose bracket and connect the stabilizer link to the knuckle.
29. Install the flange nut while holding the joint pin with a hex wrench.
30. Load the suspension with the vehicle weight and torque the flange nuts to **55 N•m (41 lb-ft)**, the damper lower mounting bolt to **(64 N•m (47 lb-ft))** and the flange nut to **(44 N•m (32 lb-ft))**.
31. Reinstall all remaining parts.
32. Attach the “Important Information” page included in this kit to the Owner’s Manual. To install this page to the Owner’s Manual, refer to the “To The Dealer” label attached to the Important Information page. Be sure to explain the contents of the “Important Information” to your customer before delivering the vehicle.

## TOE ADJUSTMENT

	RIDE HEIGHT	CAMBER (NEGATIVE)		TOE	
Front	-15mm	0.50	$\pm 0.5^\circ$	0mm	$\pm 2$ mm
Rear		2.20	$\pm 0.5^\circ$	in 2mm	$\pm 2$ mm

## HEADLIGHT AIMING ADJUSTMENT

Adjust the headlight aim as described in the Service Manual. For vehicle equipped with HID headlights, perform "Headlight Adjustment." Also adjust the fog light aim, if equipped.