



# INSTALLATION INSTRUCTIONS

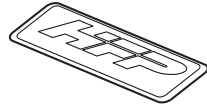
Accessory  
**SIDE HFP EMBLEM**  
P/N 08F20-TS9-100A

Application  
**2017 ACCORD**  
**2-DOOR**

Publications No.  
**VERSION 1**  
Issue Date  
**JUN 2017**

## PARTS LIST

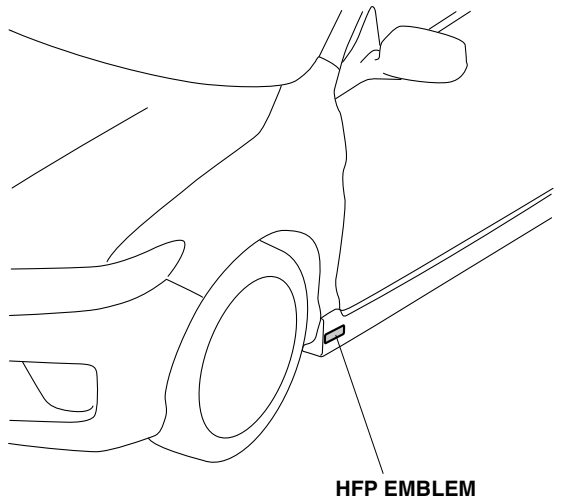
2 HFP emblems



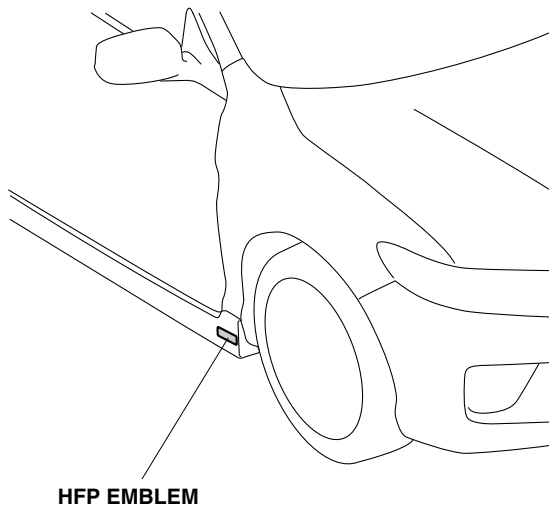
## TOOLS AND SUPPLIES REQUIRED

Shop towel  
Isopropyl alcohol  
Masking tape  
Ruler

### *Illustration of the Side HFP Emblems on the Vehicle*



B33105A



B33106A

## INSTALLATION

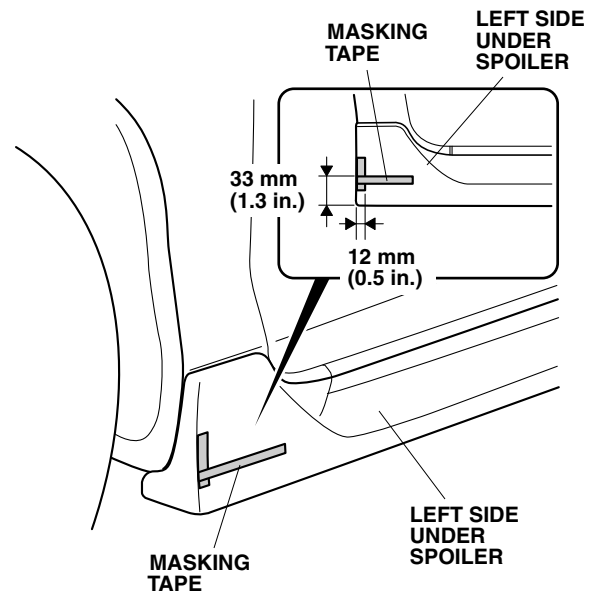
**Customer Information:** The information in this installation instruction is intended for use only by skilled technicians who have the proper tools, equipment, and training to correctly and safely add equipment to your vehicle. These procedures should not be attempted by “do-it-yourselfers.”

### NOTE:

- Be careful not to damage the vehicle body paint finish.
- This kit should be installed only if the ambient air temperature is 15° C (60° F) or above.
- To allow the adhesive to cure, do not wash the vehicle for 24 hours. Please advise the customer.

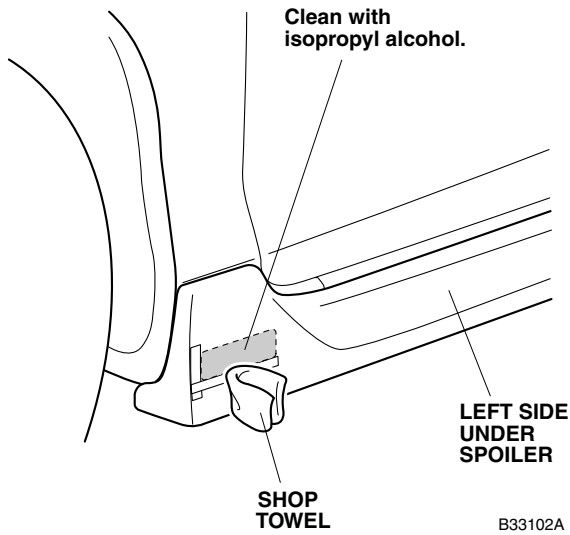
### Installing the HFP Emblem

1. Attach pieces of masking tape to the left side under spoiler at the measurements shown.

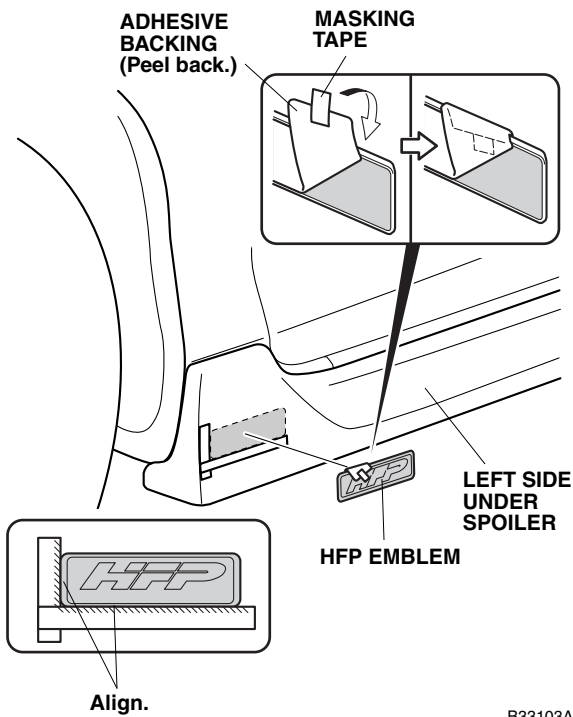


B33101A

- Using isopropyl alcohol on a shop towel, thoroughly clean the side under spoiler where the HFP emblem will attach.

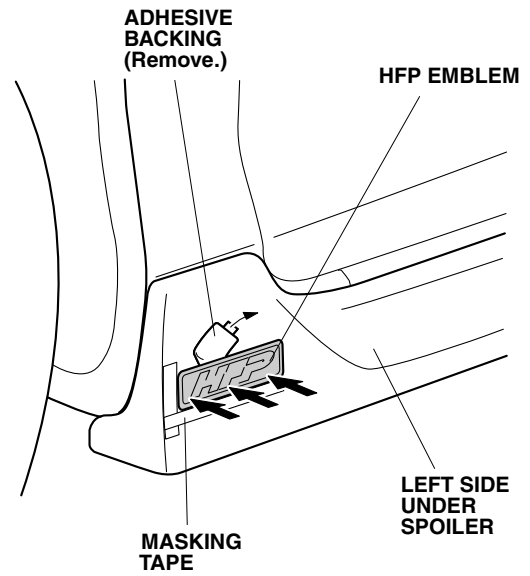


- Peel back the adhesive backing, and tape it to the front surface of the HFP emblem as shown.



- Attach the HFP emblem to the left side under spoiler.

- Gently hold the HFP emblem against the side under spoiler and remove the adhesive backing.



- Using the palm of your hand, firmly press the HFP emblem against the left side under spoiler for 30 seconds.
- Remove the masking tape.
- Repeat steps 1 through 7 to install the HFP emblem on the right side of the vehicle.