

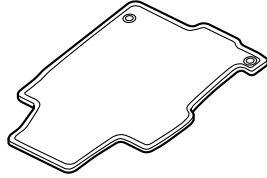


# INSTALLATION INSTRUCTIONS

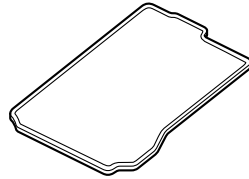
Accessory <b>HFP FLOOR CARPET MATS</b> P/N 08P15-T3L-100A	Application <b>2017 ACCORD</b> <b>2-DOOR</b>	Publications No. <b>VERSION 1</b>
		Issue Date <b>JUN 2016</b>

## PARTS LIST

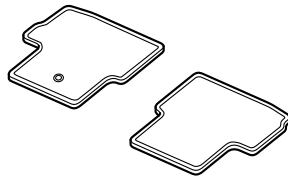
Driver's floor carpet mat



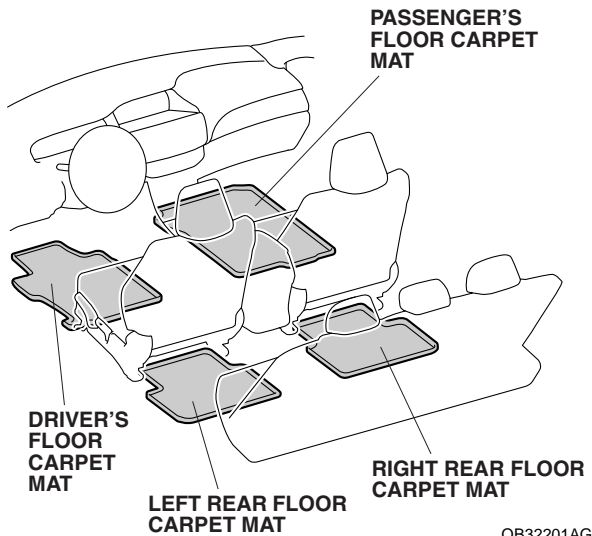
Passenger's floor carpet mat



Rear floor carpet mats



### Illustration of the HFP Floor Carpet Mats in the Vehicle

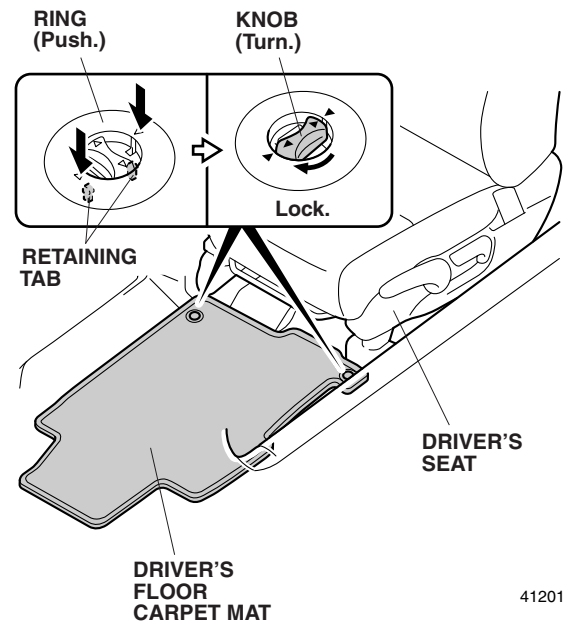


## INSTALLATION

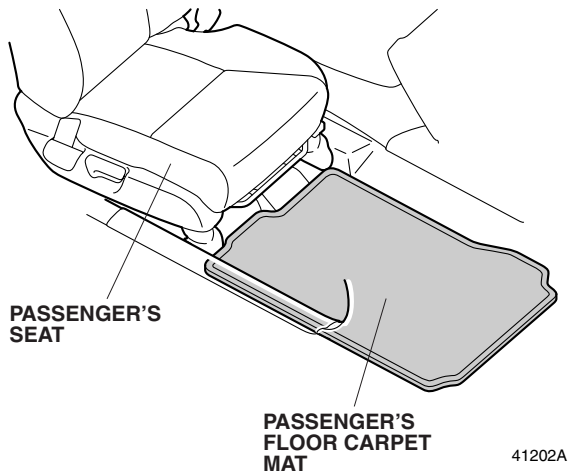
### NOTE:

- An anchored mat is required for the driver's side of the vehicle; the anchor prevents the mat from sliding forward and possibly interfering with the pedals.
- If you remove the floor carpet mat, make sure you reanchor it when you put it back in your vehicle.
- If you replace the floor carpet mats, use factory all-season floor mats that are designed to be used with the anchor.
- If you use a non-factory mat in the driver's foot well, make sure it fits properly and that it can be used with the anchor.
- Do not put an additional mat on top of the anchored mat. It may slide forward and possibly interfere with the pedals.
- Identify each mat by the marks on the back of each mat: the mat marked "R" or "Passenger's side" goes on the right side of the vehicle; the mat marked "L" or "Driver's side" goes on the left side.

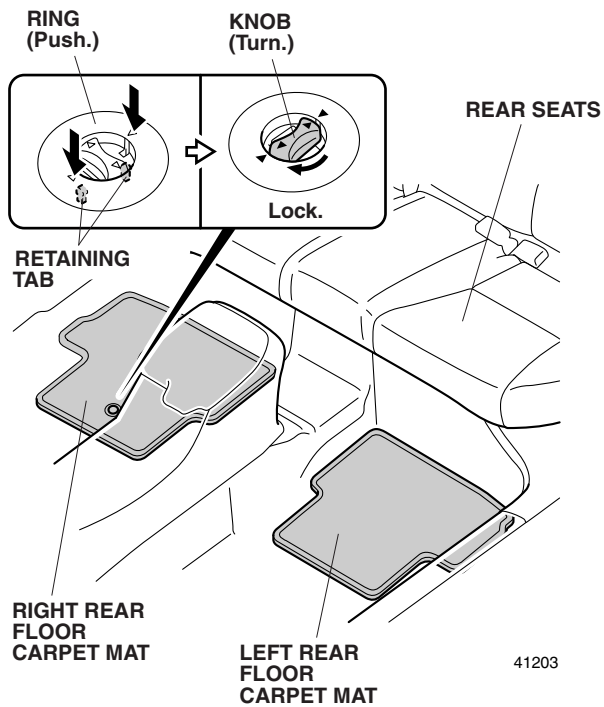
1. If equipped, remove the standard floor carpet mats.
2. Install the rings in the driver's floor carpet mat over the anchors. Push the rings into the anchors to secure the retaining tabs, then turn the knob on each anchor 90° to secure the driver's floor carpet mat.



3. Place the passenger's floor carpet mat in the passenger's footwell.



4. Place the left and right rear floor carpet mats in front of the rear seats as shown.



5. Install the ring in the right rear floor carpet mat over the anchor. Push the ring into the anchor to secure the retaining tabs, then turn the knob on the anchor 90° to secure the right rear floor carpet mat.