



# INSTALLATION INSTRUCTIONS

Accessory  
**SECOND ROW SEAT COVERS**

Application  
**2016 PILOT**

Publications No.  
**VERSION 1**

Issue Date  
**JUN 2015**

Put this information in the glove box with the vehicle Owner's Manual.

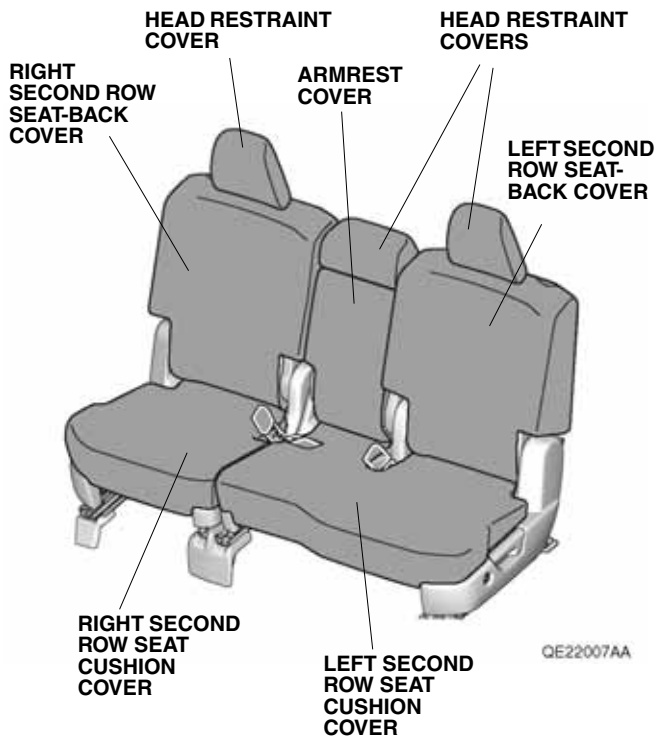
## PARTS LIST

Second Row Seat Covers Kit  
P/N 08P32-TG7-100A  
P/N 08P32-TG7-100B  
P/N 08P32-TG7-100E  
P/N 08P32-TG7-100F

Second row seat covers



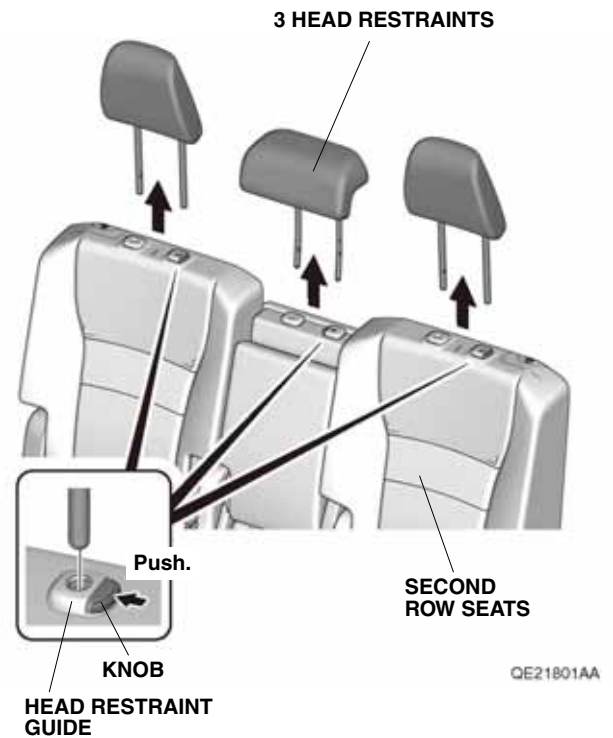
*Illustration of the Second Row Seat Covers in the Vehicle*



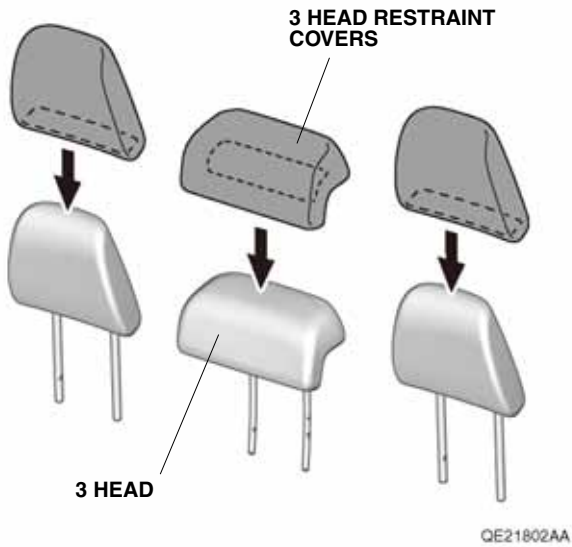
## INSTALLATION

### NOTE:

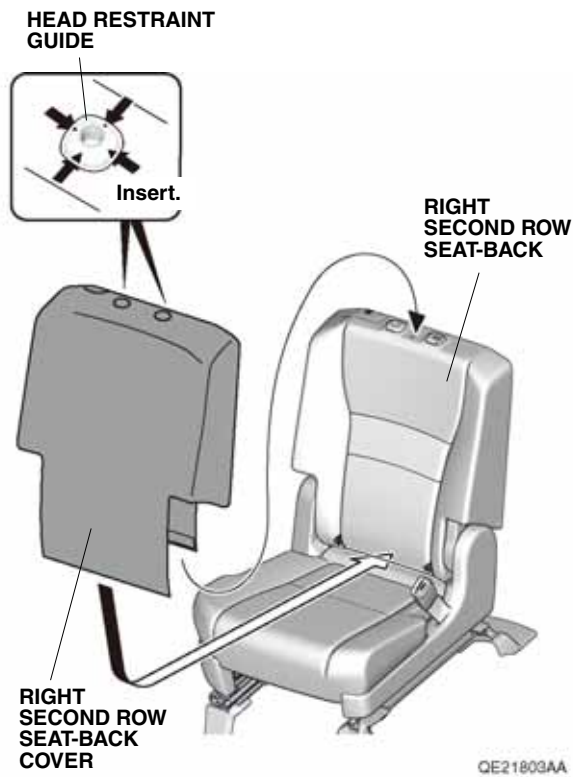
- Do not damage the vehicle during installation.
  - Do not install the seat covers to the front seat. Improperly covering the front seat may prevent the side airbag from inflating during the side impact.
  - Identify each seat cover by the tags on the back.
1. Push the knobs and remove each head restraint from the second row seats.



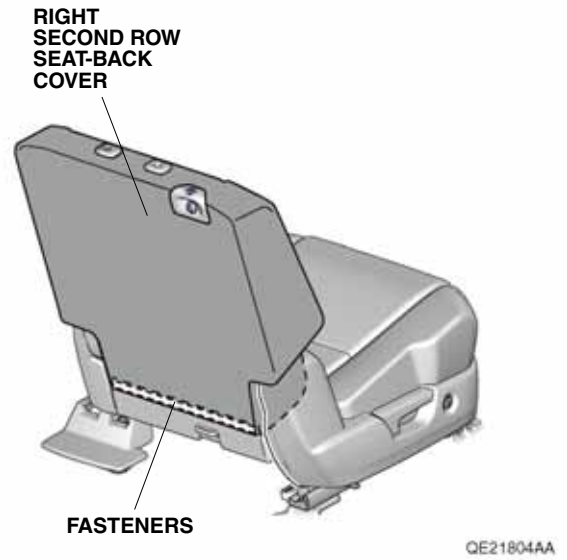
2. Install each head restraint cover on the three head restraints.



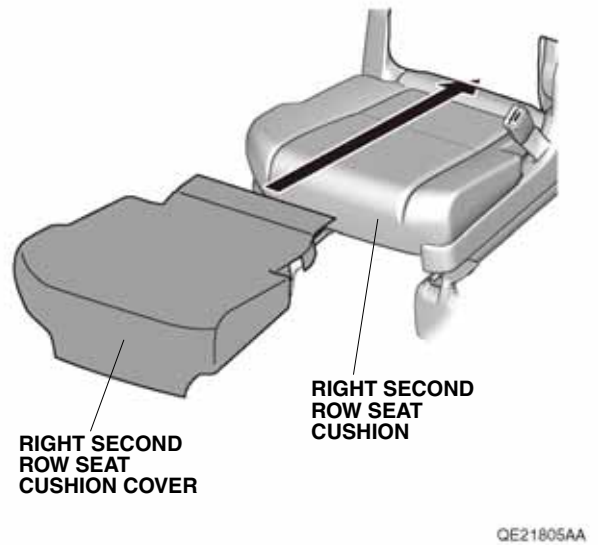
3. Install the right second row seat-back cover on the right second row seat-back. Insert the right second row seat-back cover under each head restraint guide.



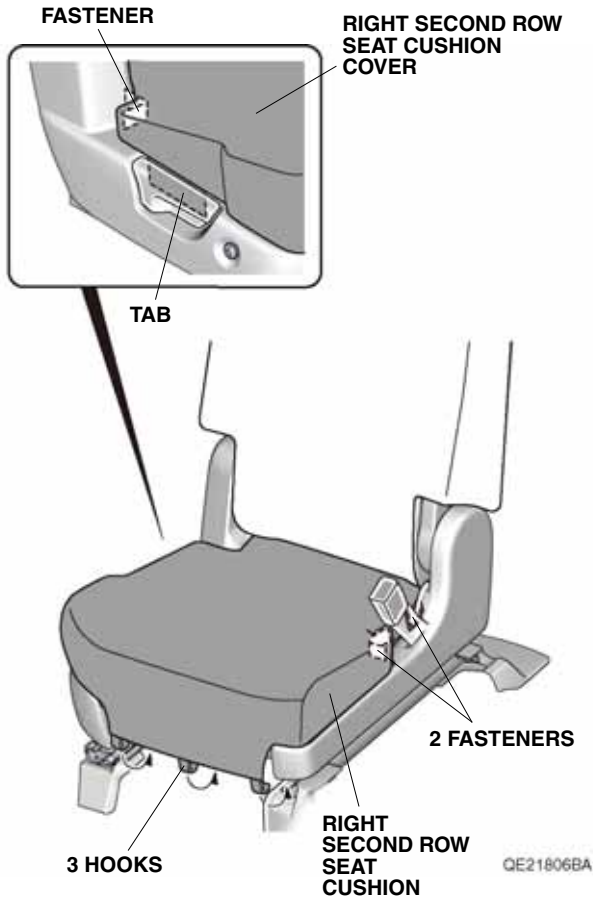
4. Secure the right second row seat-back cover with the fasteners.



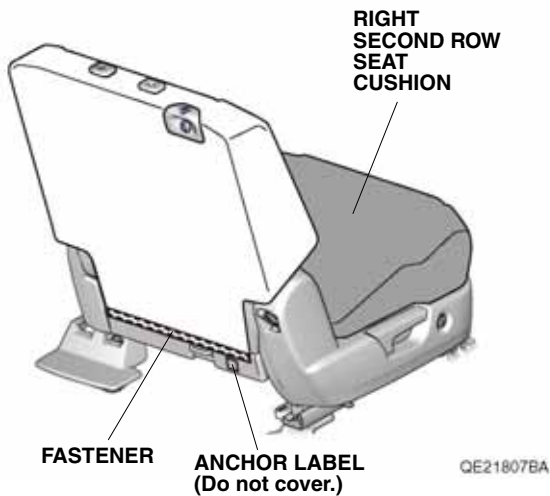
5. Install the right second row seat cushion cover to the right second row seat cushion.



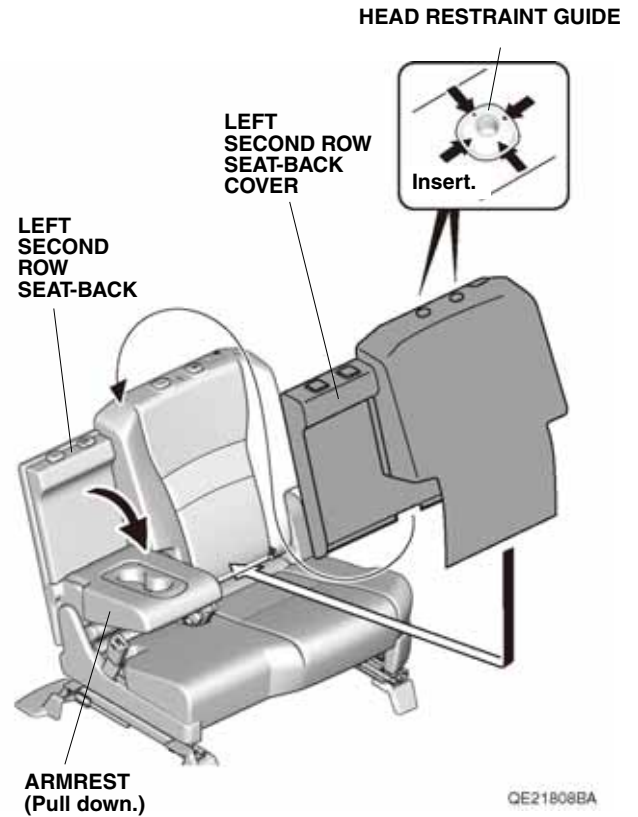
- Secure the three hooks and fasteners to the right second row seat cushion. Insert one tab to the right second row seat cushion.



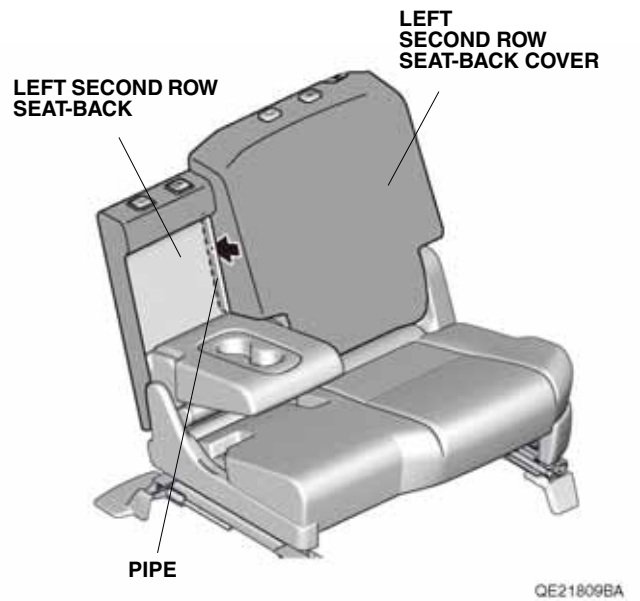
- Secure the fastener to the right second row seat cushion.  
NOTE: Do not cover the anchor label.



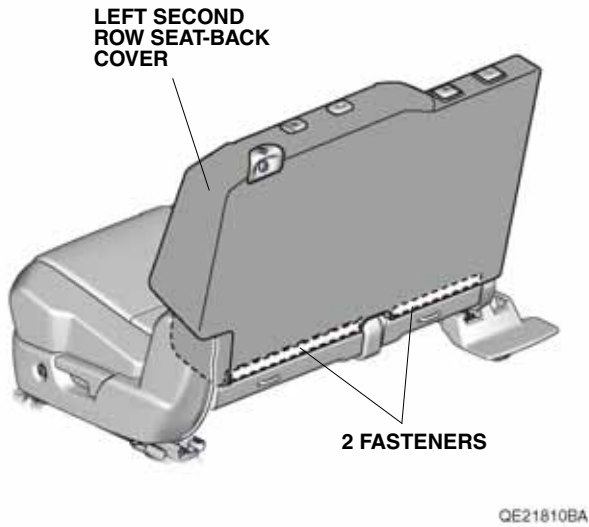
- Pull down the armrest. Install the left second row seat-back cover to the left second row seat-back. Insert the left second row seat-back cover under each left second row seat head restraint guide.



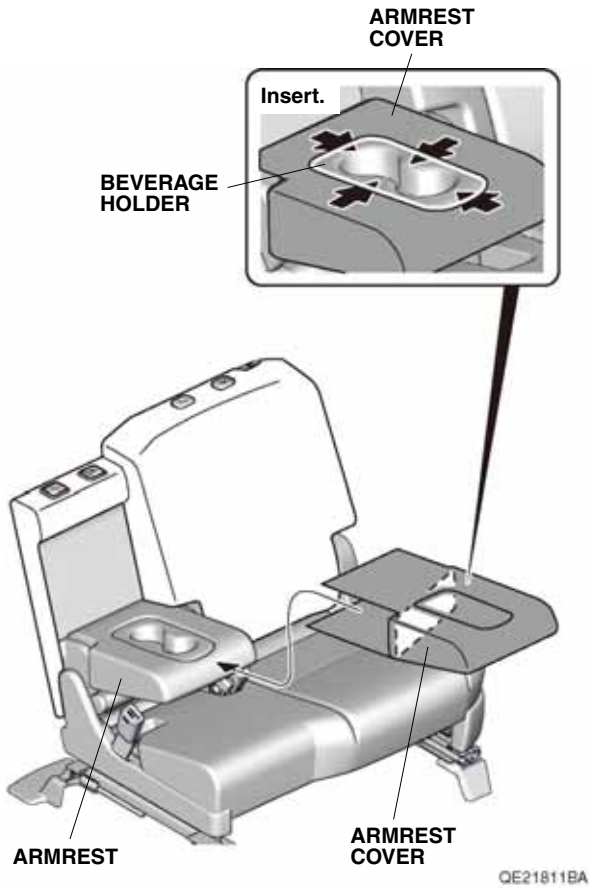
- Insert the pipe into the left second row seat-back.



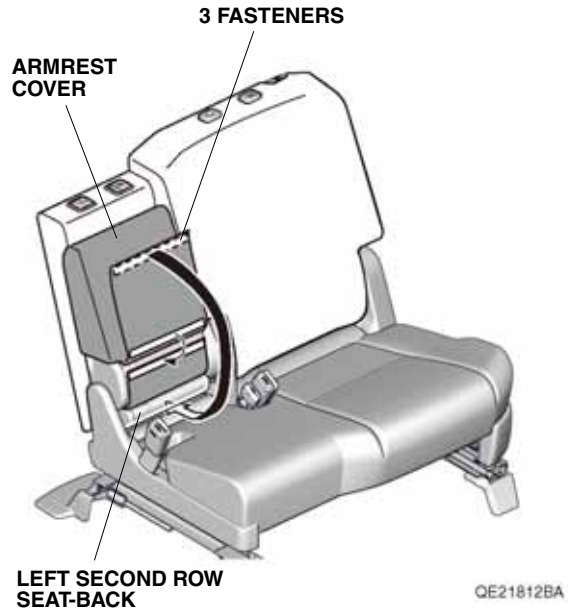
- Secure the left second row seat-back cover with the fasteners.



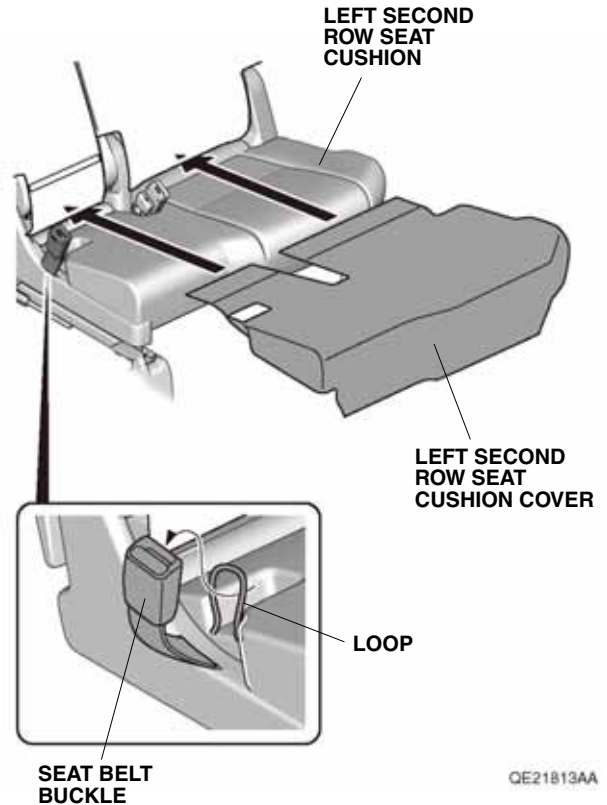
- Install the armrest cover on the armrest. Insert the armrest cover under the beverage holder.



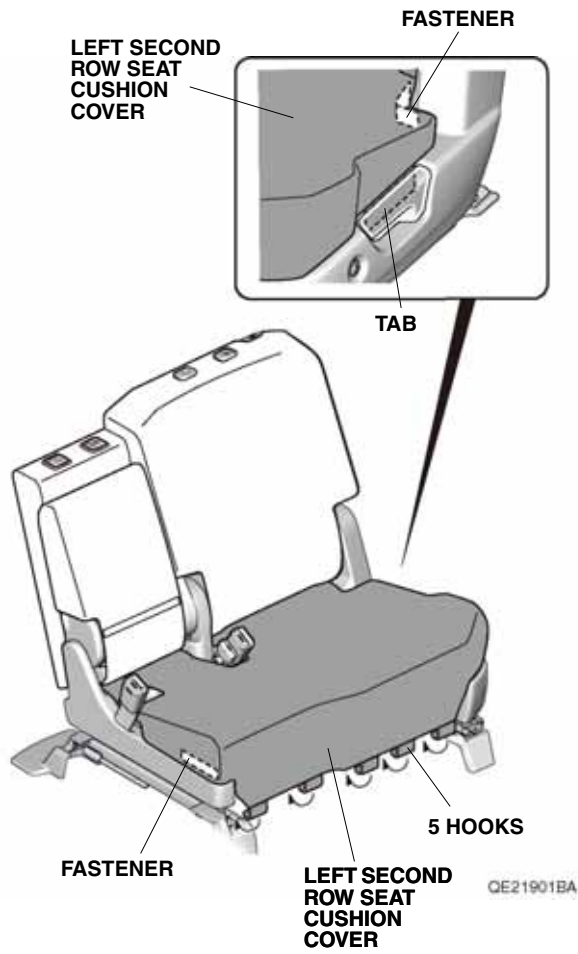
- Raise the armrest. Pull out the armrest cover between the armrest and left second row seat-back, and secure the armrest cover with the fasteners.



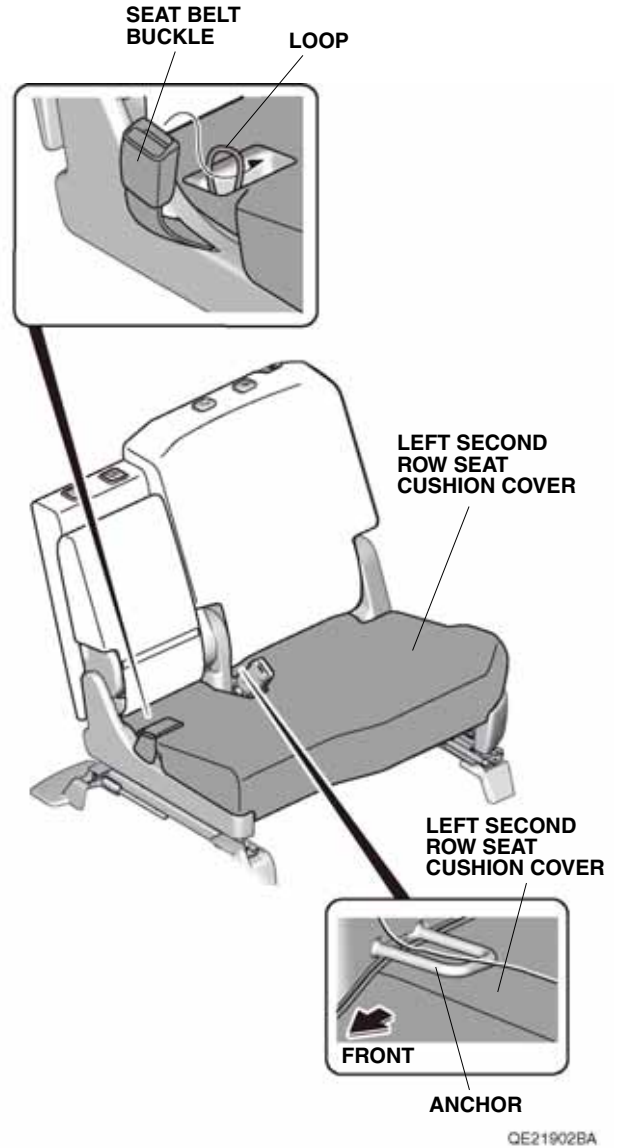
- Release the seat belt buckle from the loop as shown. Install the left second row seat cushion cover on the left second row seat cushion.



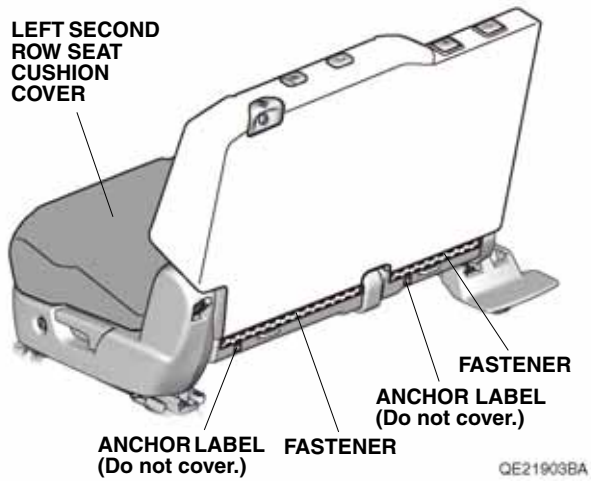
14. Secure the left second row seat cushion cover with the five hooks, one tab, and the fasteners.



15. Reinstall the seat belt buckle into the loop as shown. Insert the left second row seat cushion cover under the anchor.



16. Secure the left second row seat cushion cover with the fasteners.  
NOTE: Do not cover the anchor labels.



17. Install the head restraints.