



# INSTALLATION INSTRUCTIONS

Accessory  
**REAR BUMPER APPLIQUE**  
P/N 08P48-TG7-100

Application  
**2016 PILOT**

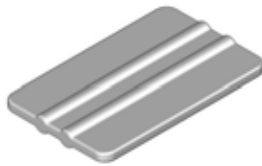
Publications No.  
**VERSION 1**  
Issue Date  
**JUN 2015**

## PARTS LIST

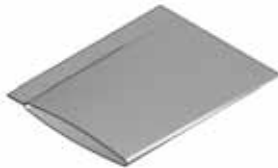
Rear bumper applique



Applicator



Soft sleeve



Alcohol swab

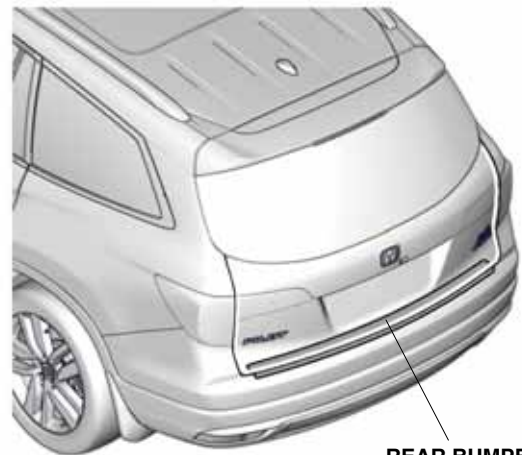


## TOOLS AND SUPPLIES REQUIRED

Masking tape

Felt-tip pen

## Illustration of the Rear Bumper Applique on the Vehicle



REAR BUMPER APPLIQUE

QDN0501AG

## INSTALLATION

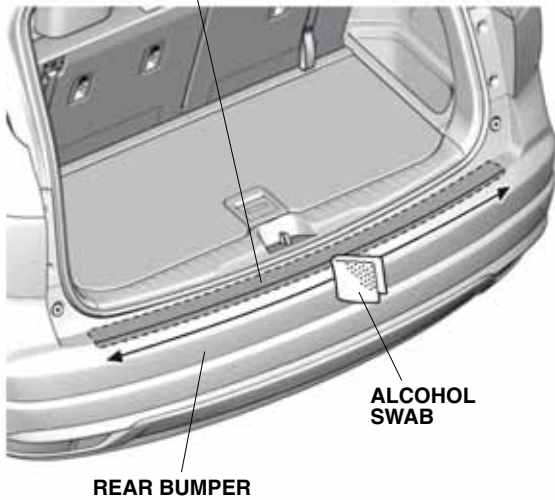
**Customer Information:** The information in this installation instruction is intended for use only by skilled technicians who have the proper tools, equipment, and training to correctly and safely add equipment to your vehicle. These procedures should not be attempted by “do-it-yourselfers.”

### NOTE:

- Do not damage the paint finish.
- This kit should be installed only if the ambient air temperature is 15°C (60°F) or above.
- To allow the adhesive to cure, do not wash the vehicle for 24 hours. Please advise the customer.

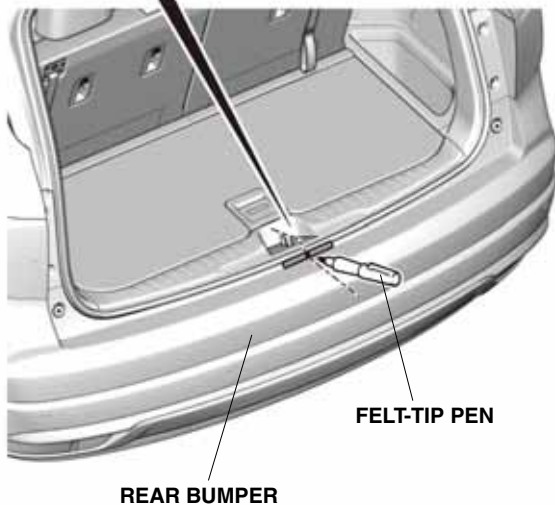
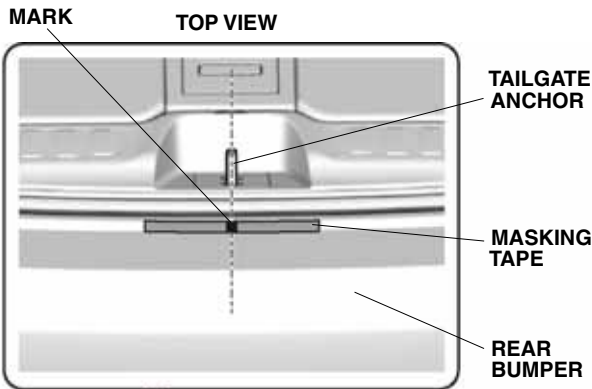
1. Open the tailgate. Use the alcohol swab to thoroughly clean the area where the rear bumper applique will attach.

**REAR BUMPER APPLIQUE LOCATION**  
(Clean with an alcohol swab.)



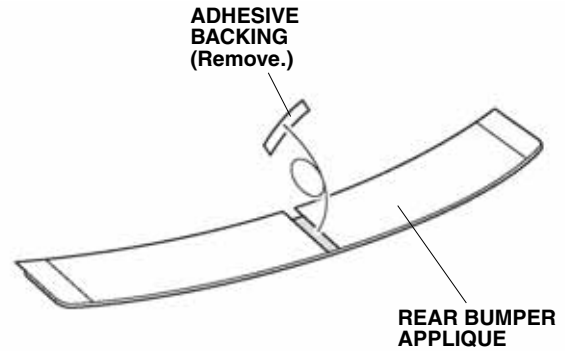
QDN0502AG

2. Attach a strip of masking tape to the rear bumper in the area shown. Using a felt-tip pen, make a mark on the tape at the center of the tailgate anchor.



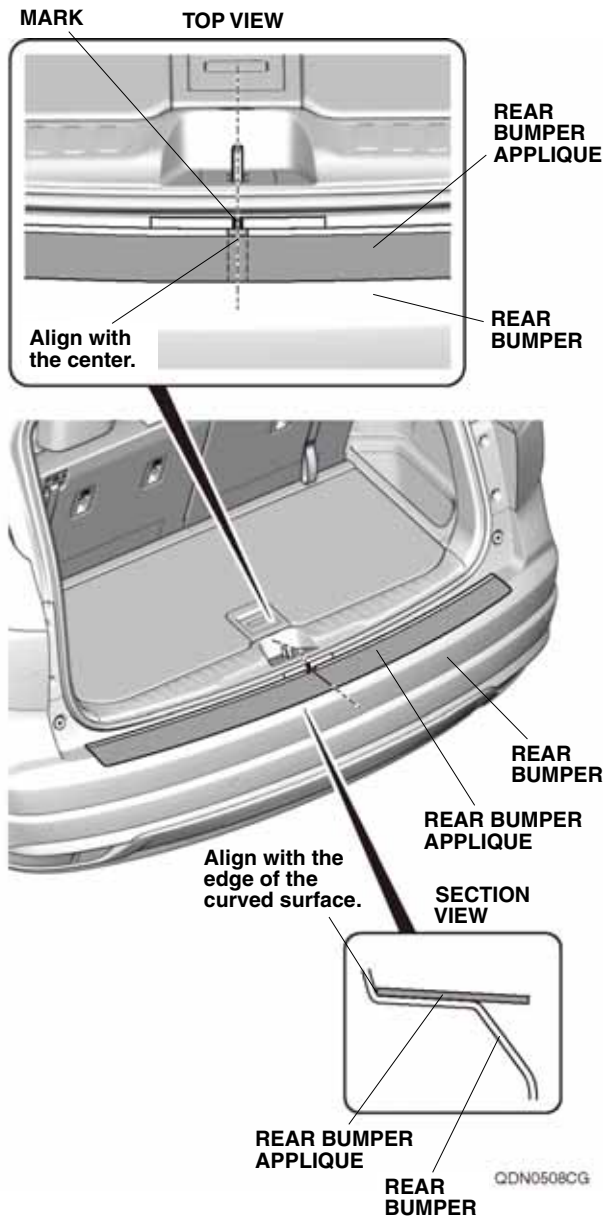
QDN0503AG

3. Remove the center adhesive backing from the rear bumper applique.

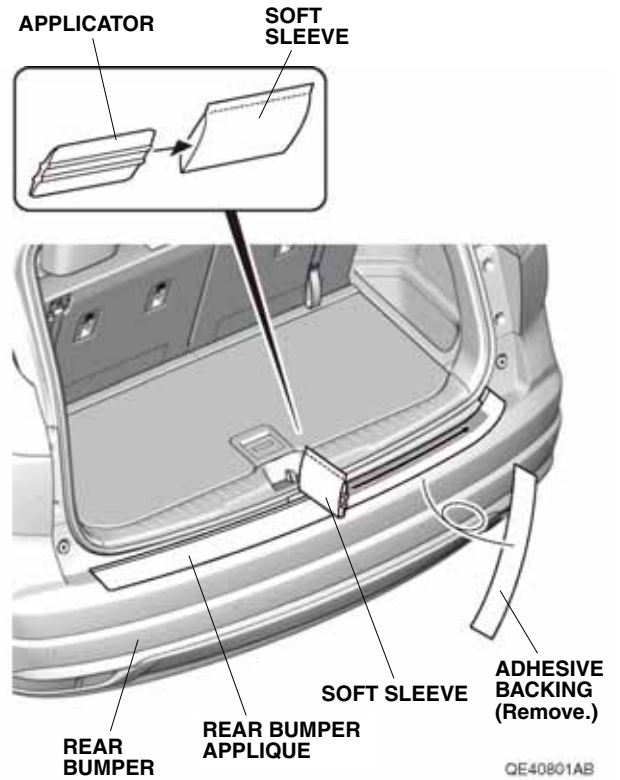


QDN0506BG

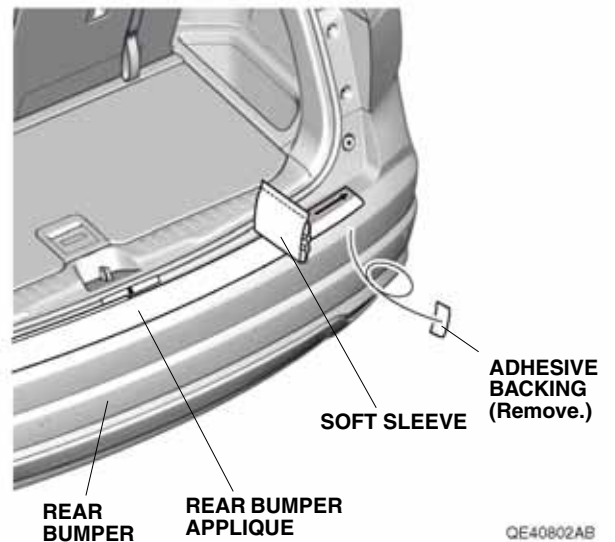
- Align the center of the rear bumper applique with the mark on the masking tape. Align the front edge of the applique along the edge of the curved surface as shown. Attach the center of the rear bumper applique to the rear bumper.



- Insert the applicator into the soft sleeve.



- Starting from the center, remove the adhesive backing. Using the soft sleeve and applicator, firmly press down on the top section of the rear bumper applique.
- Remove the small piece of adhesive backing, and firmly press the rear bumper applique against the rear bumper.



- Repeat steps 6 and 7 on the other side.

9. Once the top section is finished, rub the applicator along the round edge. Start in the middle and working outward in small sections. Rub the applicator across and around the bumper 3 to 4 times to prevent air bubbles.

