

## PARTS LIST

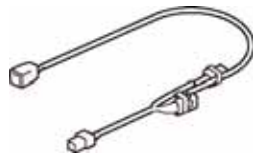
2 Illuminated door sill trims



2 Door sill trims



2 Door sill trim harnesses



14 Wire ties



2 Fuse labels



Aluminum tape



2 Alcohol swabs



Protective tape



2 Protective clips



## TOOLS AND SUPPLIES REQUIRED

Diagonal cutters

10 mm Open end wrench

Isopropyl alcohol

Scissors

Shop towel

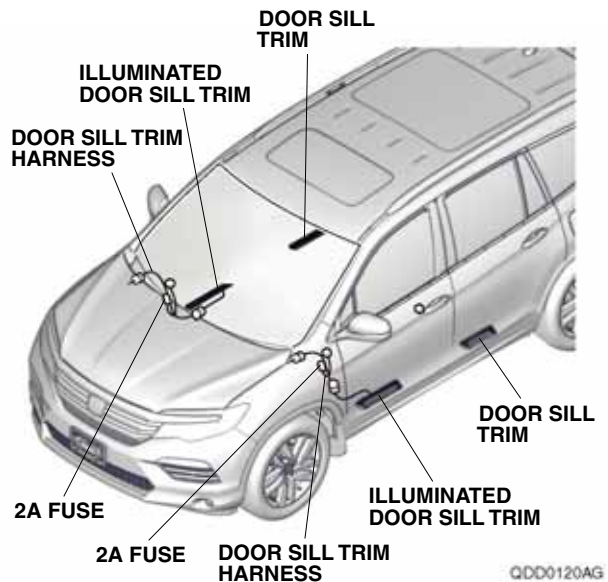
Ruler

Masking tape

*The following tool is available through the Honda Tool and Equipment Program. On the iN, click on: Service > Service Bay > Tool and Equipment Program, then enter the number under "Search". Or, call 888-424-6857.*

- Trim Tool Set (T/N SOJATP2014)

## Illustration of the Illuminated Door Sill Trims on the Vehicle



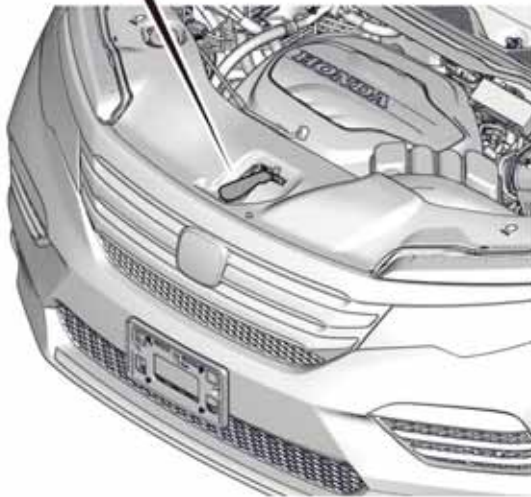
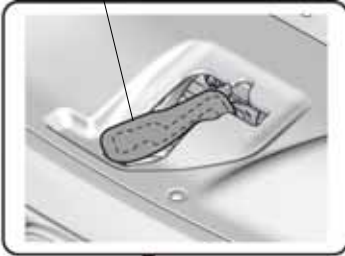
QDD0120AG

## INSTALLATION

**Customer Information:** The information in this installation instruction is intended for use only by skilled technicians who have the proper tools, equipment, and training to correctly and safely add equipment to your vehicle. These procedures should not be attempted by “do-it-yourselfers.”

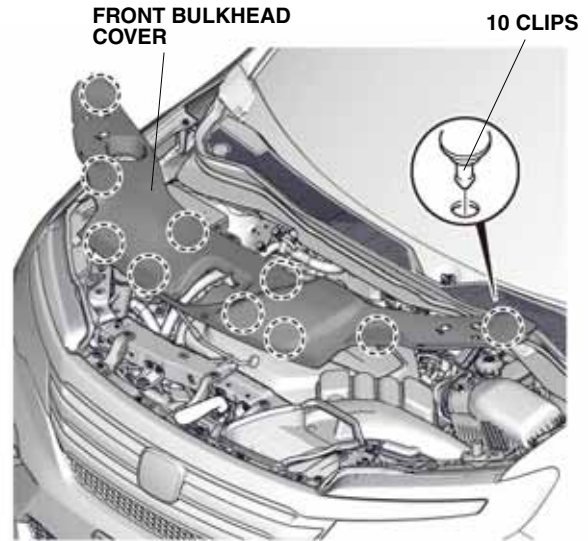
1. Wrap a shop towel around the hood latch.

**HOOD LATCH**  
(Wrap with a shop towel.)



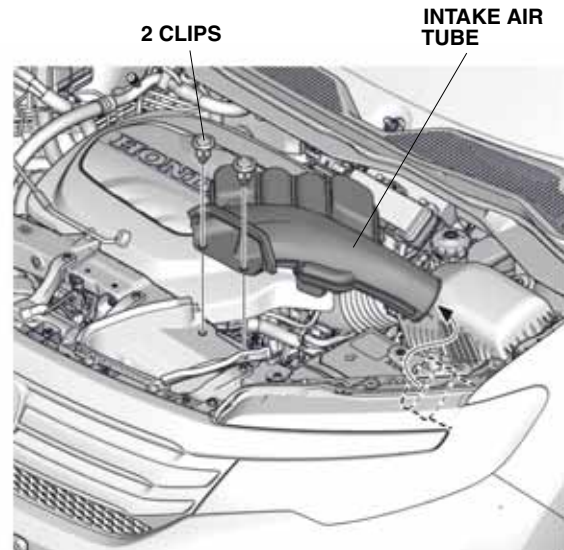
QDN1301AA

- Remove the front bulkhead cover.



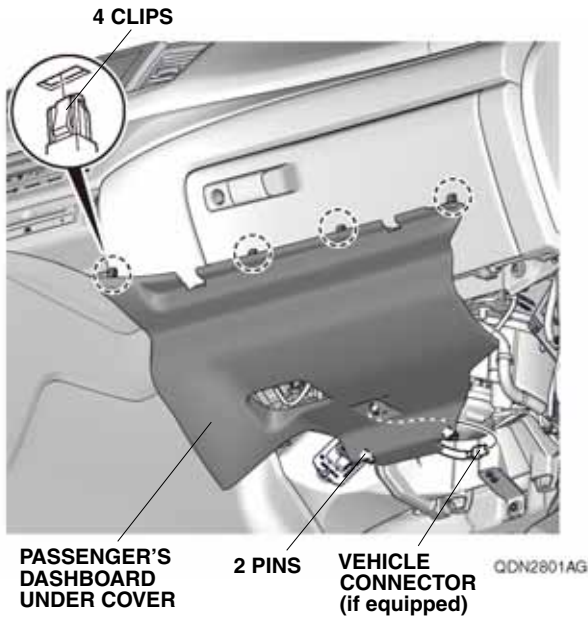
QDN1302AA

- Remove the intake air tube.
- Disconnect the negative cable from the battery.

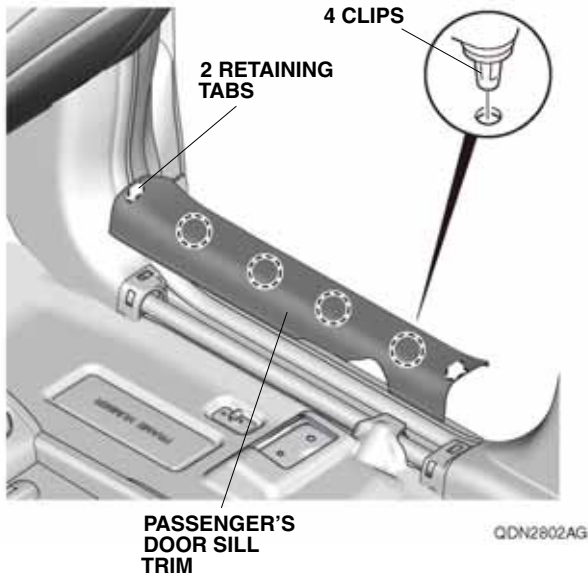


QDN1303AA

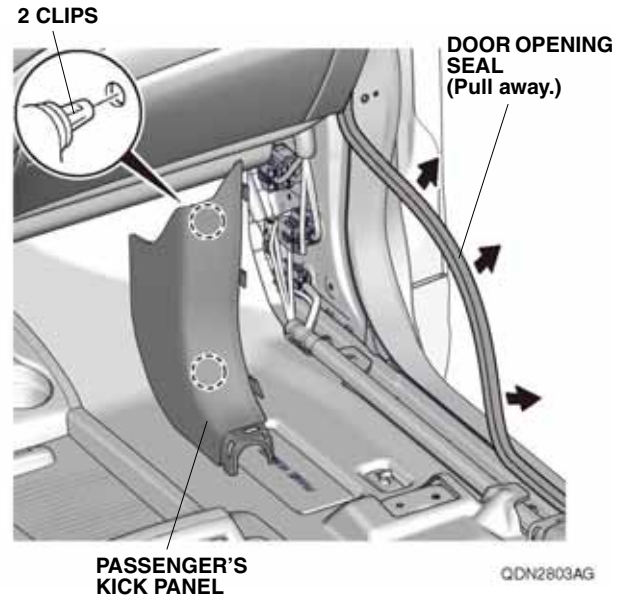
- Remove the passenger's dashboard under cover and unplug the vehicle connector.



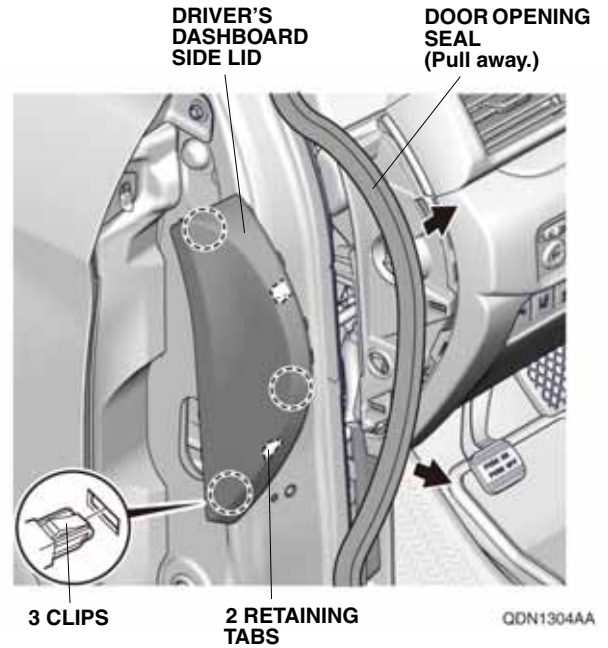
- Remove the passenger's door sill trim.



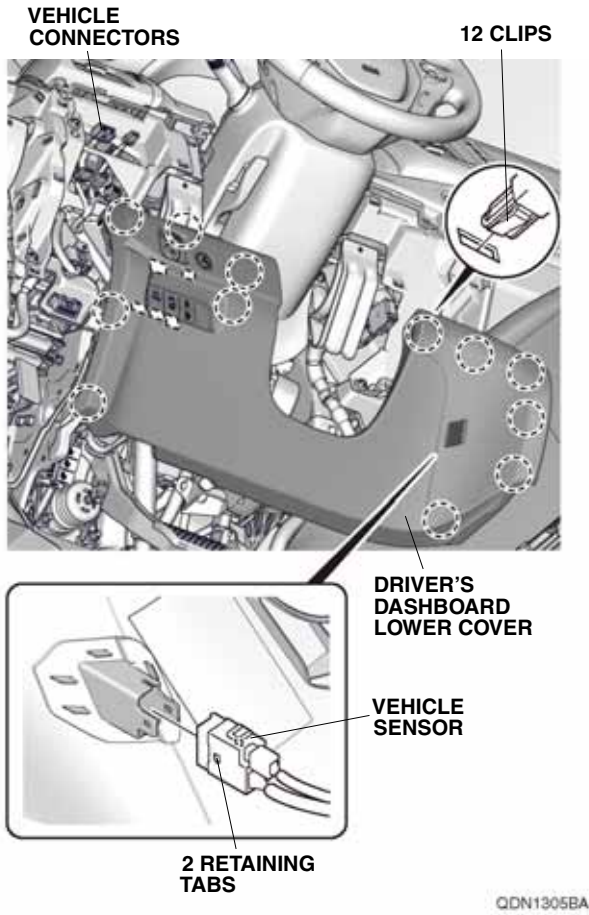
- Pull away the door opening seal, and remove the passenger's kick panel.



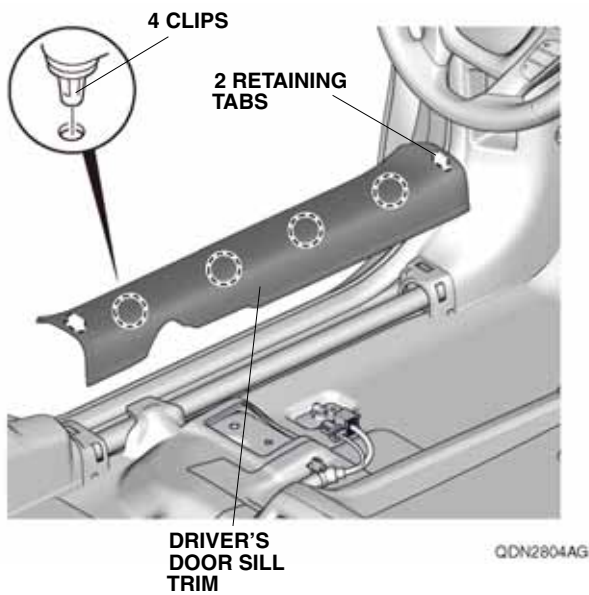
- Pull away the door opening seal, and remove the driver's dashboard side lid.



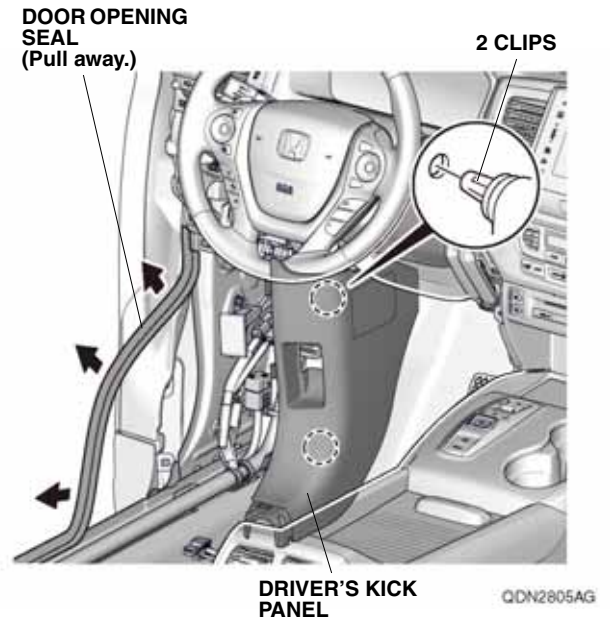
- Remove the driver's dashboard lower cover, unplug the vehicle connectors, and release the vehicle sensor.



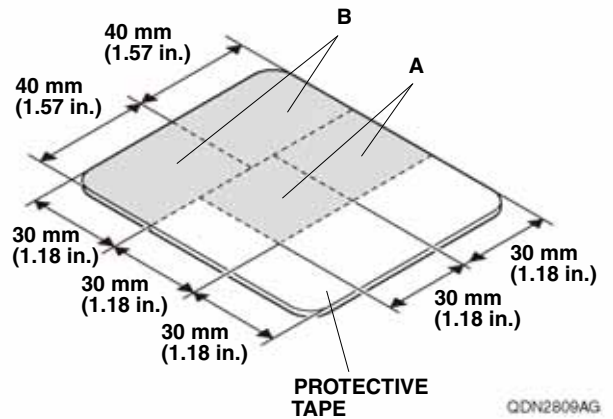
- Remove the driver's door sill trim.



- Pull away the door opening seal, and remove the driver's kick panel.

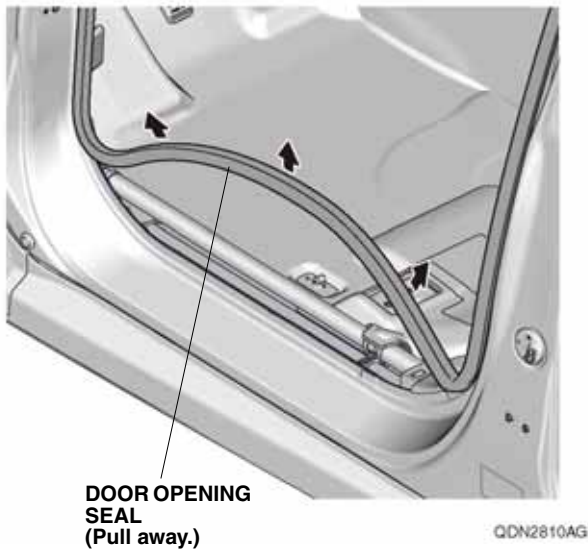


- Using scissors, cut the protective tape as shown.

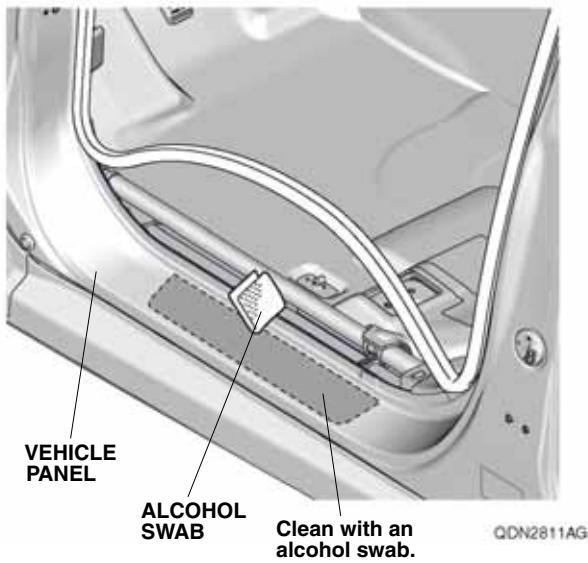




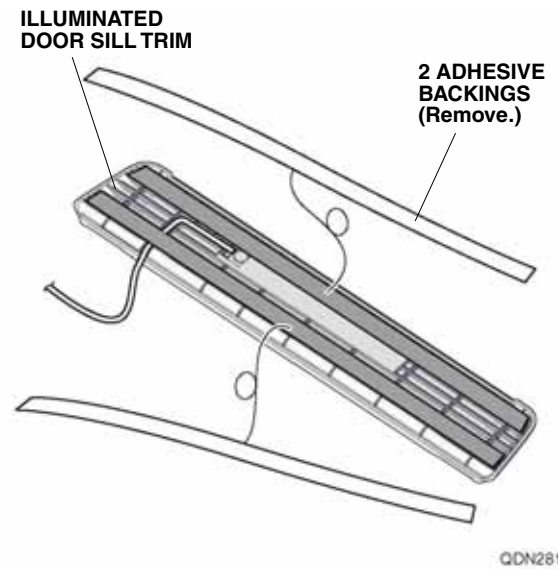
10. Pull away the door opening seal in the area shown.



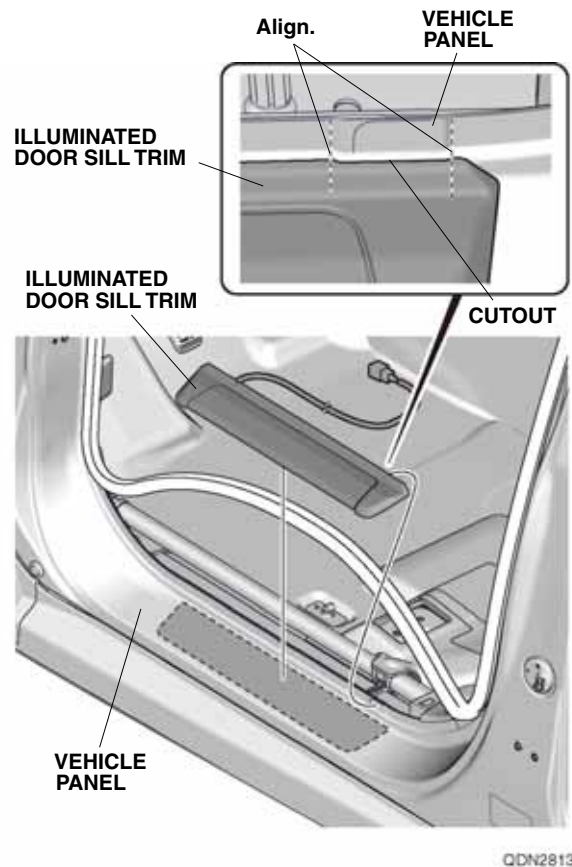
11. Using an alcohol swab, thoroughly clean the vehicle panel where the illuminated door sill trim will attach.



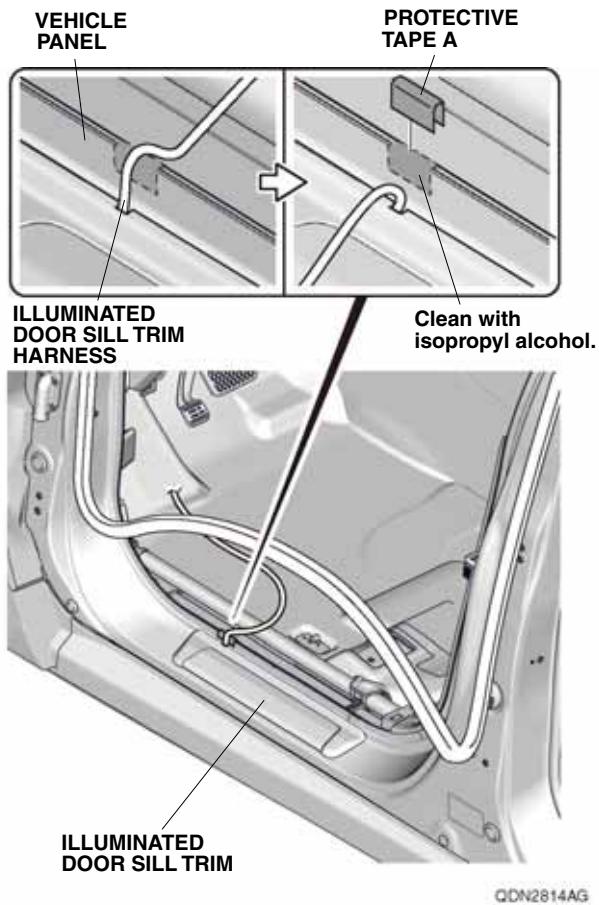
12. Remove two adhesive backings from the illuminated door sill trim.



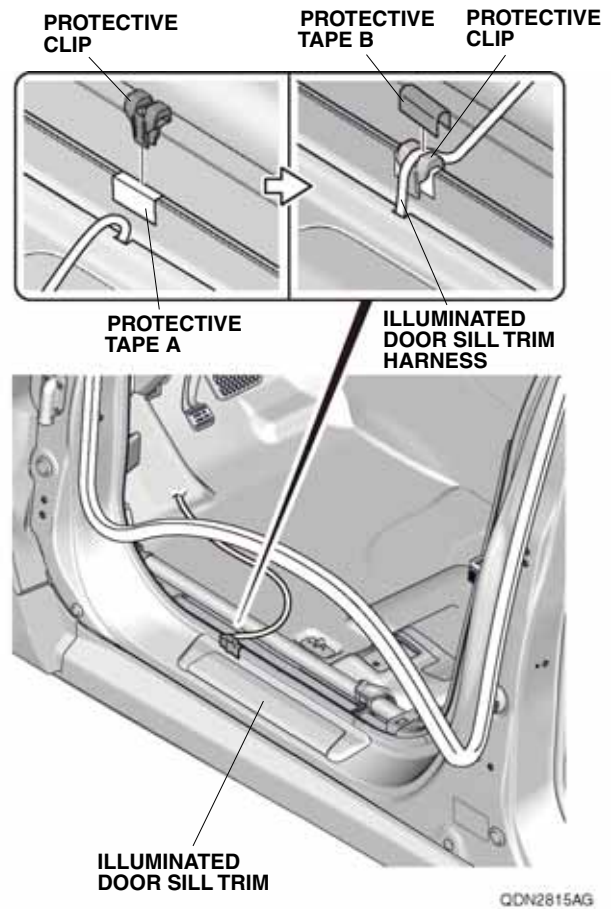
13. Align the cutout shape on the illuminated door sill trim with the bump shape on the vehicle panel. Press on the adhesive part of the illuminated door sill trim firmly.



- Using isopropyl alcohol on a shop towel, thoroughly clean the vehicle panel where the protective tape will attach. Attach one piece of protective tape A to the vehicle panel as shown.

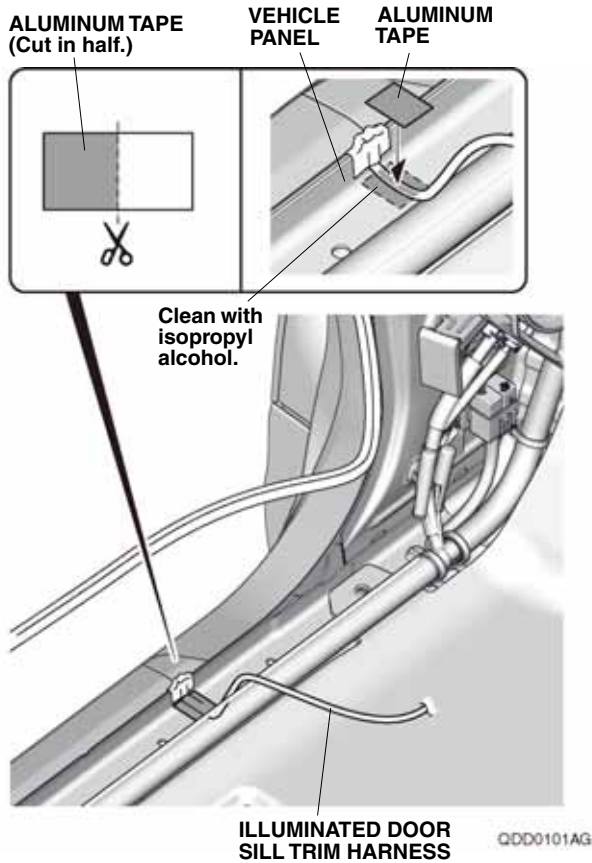


- Install the protective clip to the protective tape A on the vehicle panel.



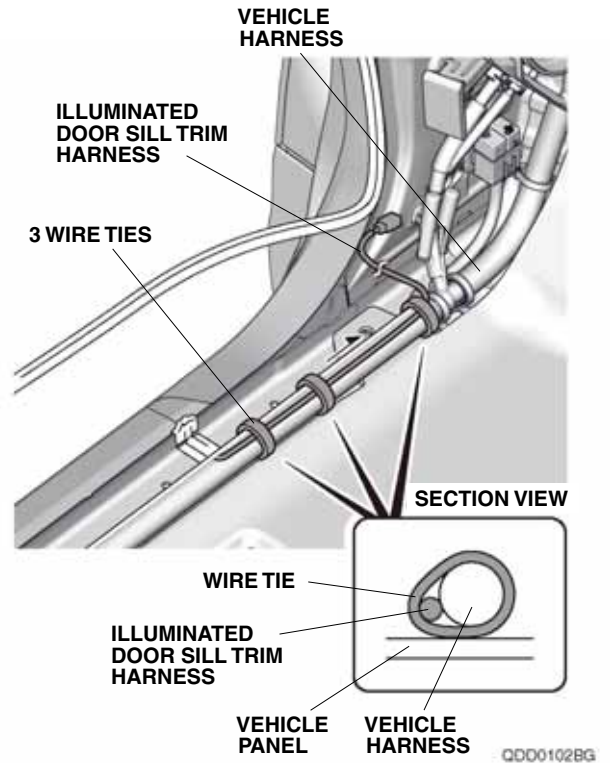
- Align and route the illuminated door sill trim harness over the protective clip as shown.
- Attach one piece of protective tape B to the protective clip.
- Repeat steps 10 through 17 to install the illuminated door sill trim on the right side of the vehicle.

19. Using isopropyl alcohol on a shop towel, thoroughly clean the vehicle panel where the aluminum tape will attach.

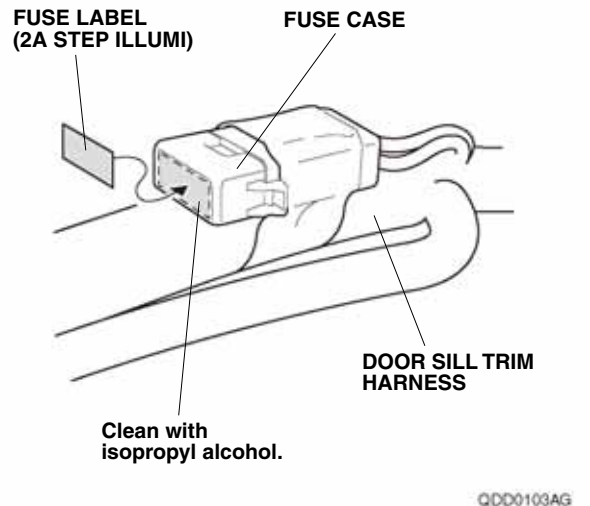


20. Using scissors, cut one aluminum tape in half. Secure the illuminated door sill trim harness to the vehicle panel with one half of aluminum tape.

21. Route the illuminated door sill trim harness along the vehicle harness.



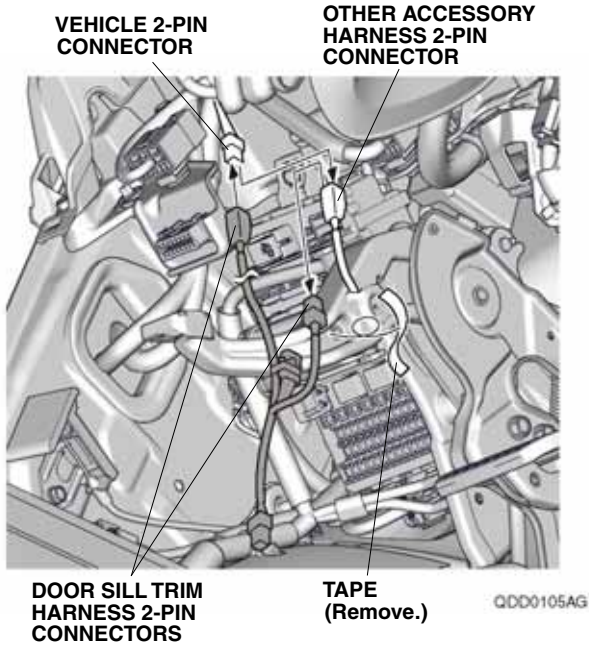
22. Secure the illuminated door sill trim harness to the vehicle harness with three wire ties.
23. Using isopropyl alcohol on a shop towel, thoroughly clean the fuse case where the fuse label will attach. Attach the fuse label (2A STEP ILLUMI) to the fuse case on the door sill trim harness.



If the vehicle is equipped with the other accessory harness, continue with step 24; otherwise, go to step 26.

### With Other Accessory Harness

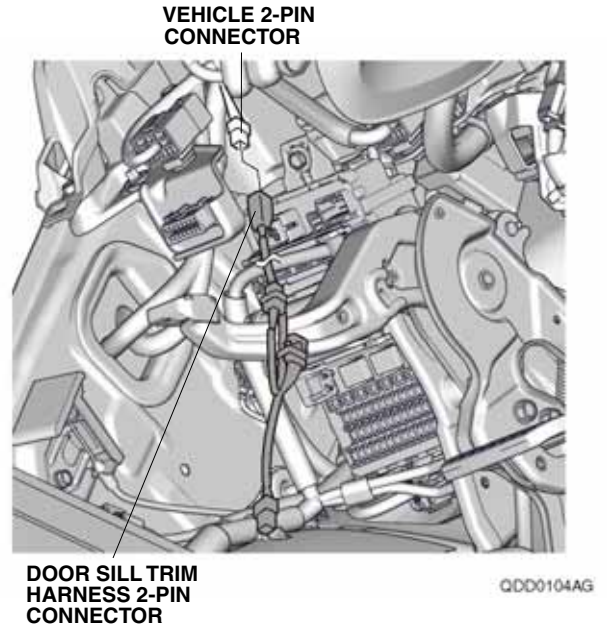
24. Unplug the other accessory harness 2-pin connector, and plug the door sill trim harness 2-pin connector into the vehicle 2-pin connector.



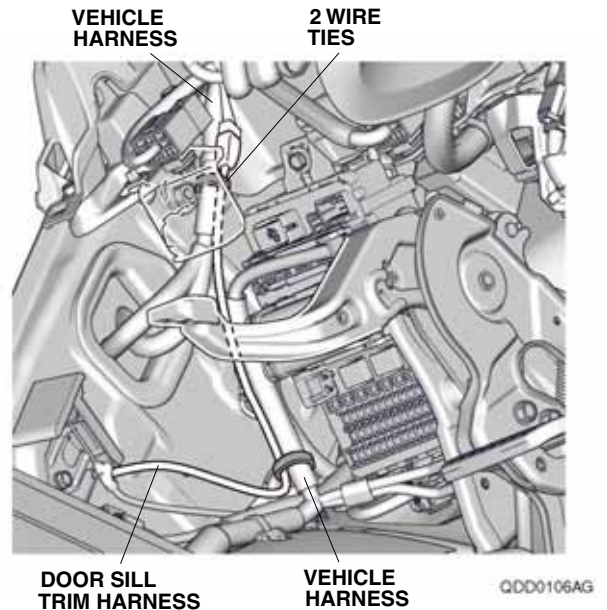
25. Remove the tape from the door sill trim harness, and plug the remaining other accessory harness 2-pin connector into the door sill trim harness 2-pin connector. Go to step 27.

### Without Other Accessory Harness

26. Plug the door sill trim harness 2-pin connector into the vehicle 2-pin connector.

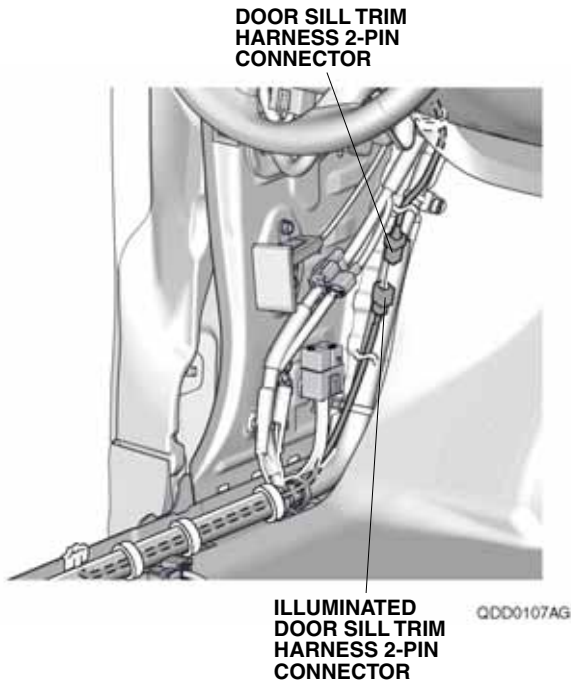


27. Secure the door sill trim harness to the vehicle harness with two wire ties.

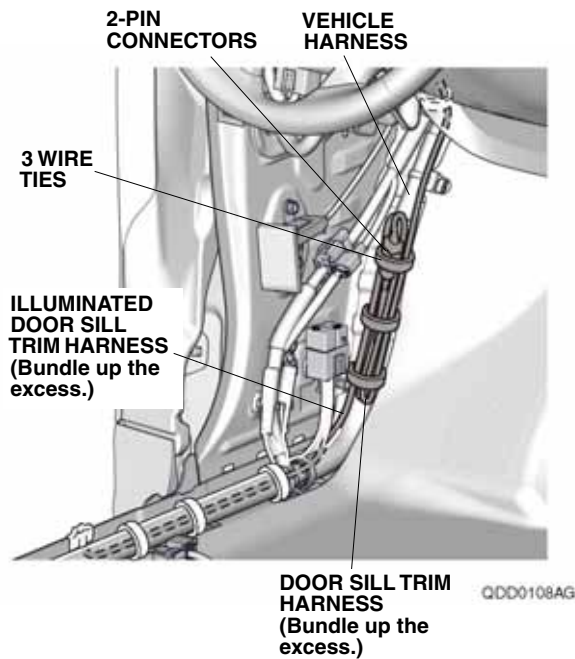




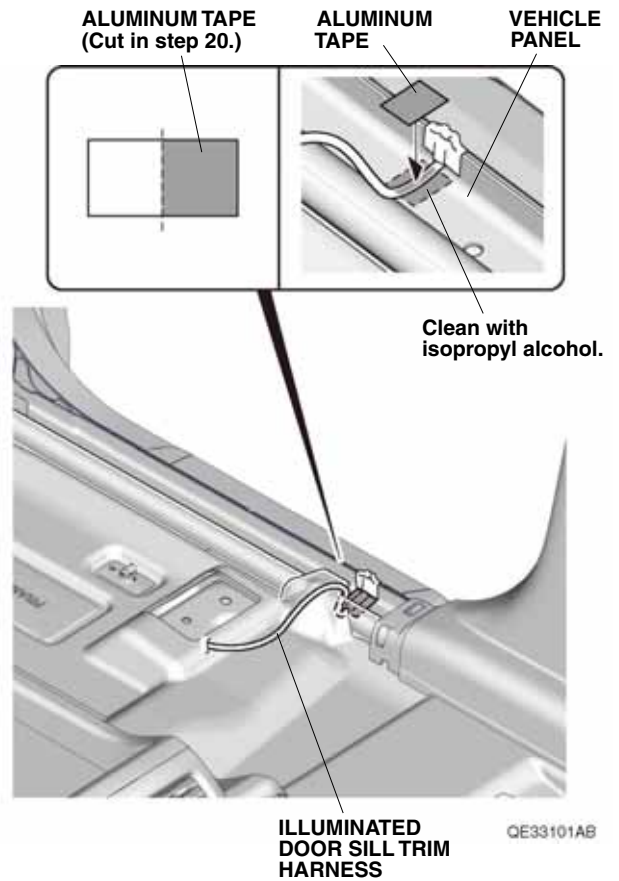
28. Plug the door sill trim harness 2-pin connector into the illuminated door sill trim harness 2-pin connector.



29. Bundle up the excess door sill trim harness and illuminated door sill trim harness, and secure them and 2-pin connectors to the vehicle harness with three wire ties.

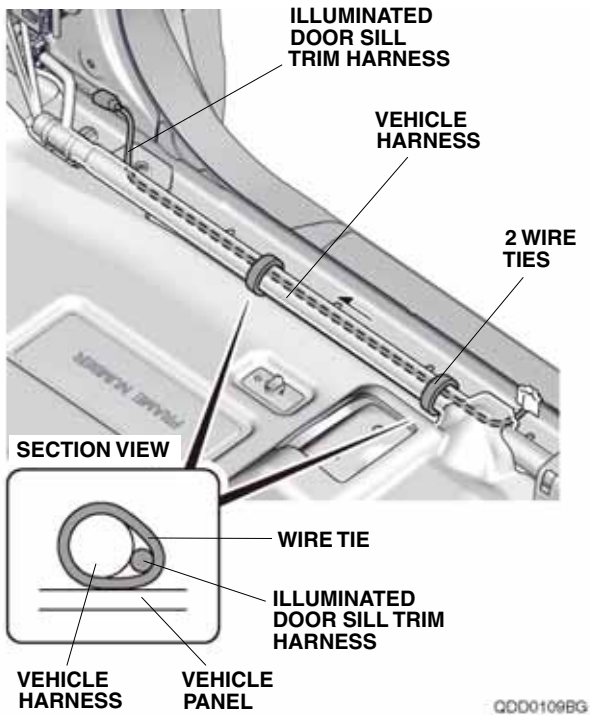


30. Using isopropyl alcohol on a shop towel, thoroughly clean the vehicle panel where the aluminum tape will attach.

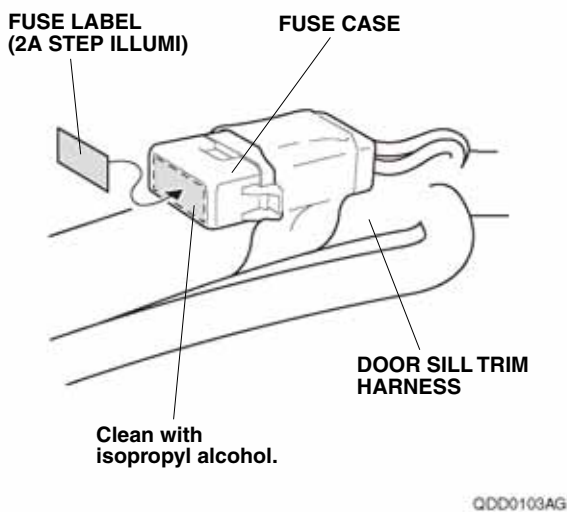


31. Secure the illuminated door sill trim harness to the vehicle panel with one piece of aluminum tape cut in step 20.

32. Route the illuminated door sill trim harness along the vehicle harness.



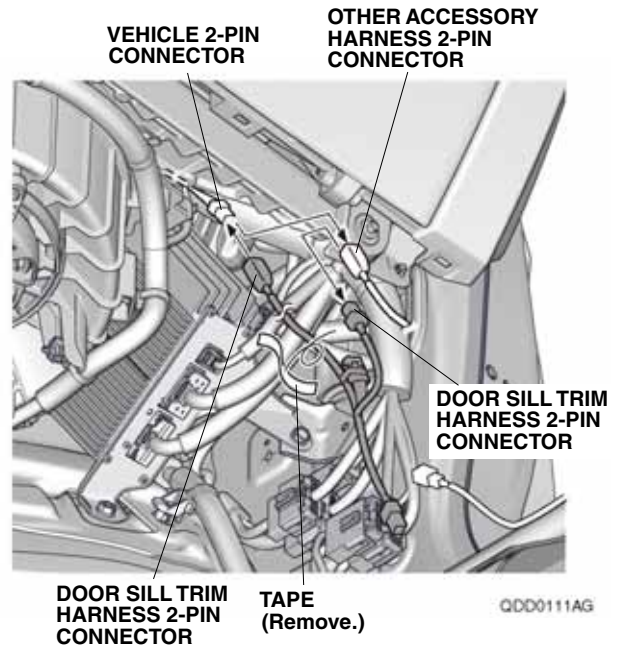
33. Secure the illuminated door sill trim harness to the vehicle harness with two wire ties.
34. Using isopropyl alcohol on a shop towel, thoroughly clean the fuse case where the fuse label will attach. Attach the fuse label (2A STEP ILLUMI) to the fuse case on the door sill trim harness.



**If the vehicle is equipped with another accessory harness, continue with step 35; otherwise, go to step 37.**

### With Other Accessory Harness

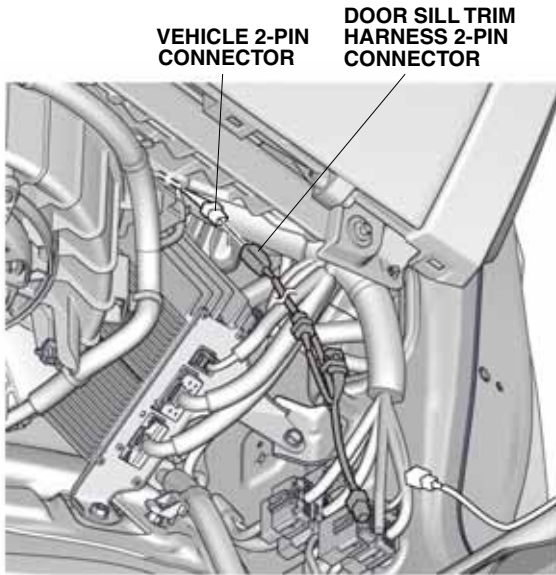
35. Unplug the other accessory harness 2-pin connector, and plug the door sill trim harness 2-pin connector into the vehicle 2-pin connector.



36. Remove the tape from the door sill trim harness, and plug the remaining other accessory harness 2-pin connector into the door sill trim harness 2-pin connector. Go to step 38.

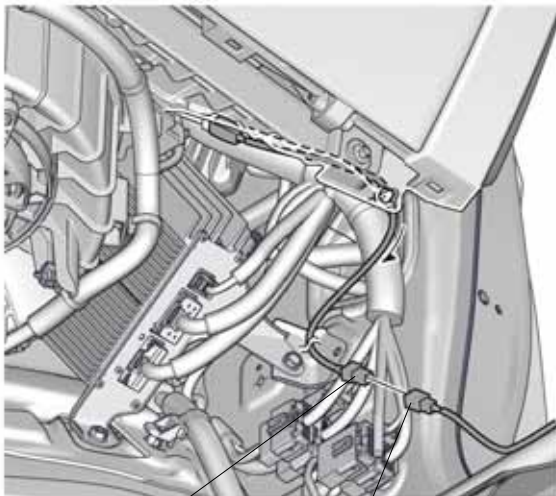
**Without Other Accessory Harness**

37. Plug the door sill trim harness 2-pin connector into the vehicle 2-pin connector.



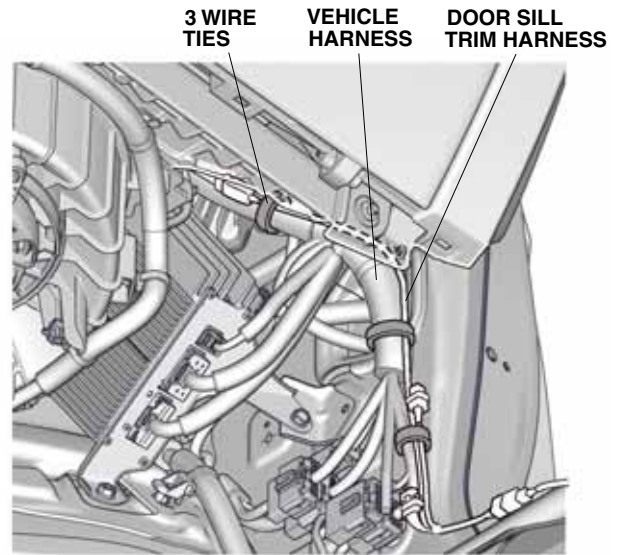
QDD0110AG

38. Plug the door sill trim harness 2-pin connector into the illuminated door sill trim harness 2-pin connector.



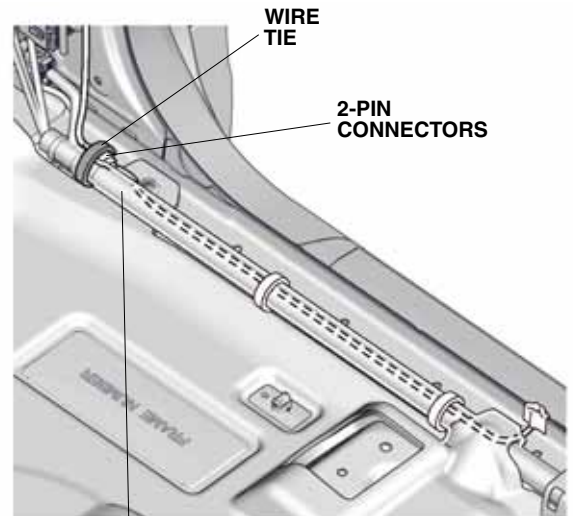
QDD0112AG

39. Secure the door sill trim harness into the vehicle harness with three wire ties.



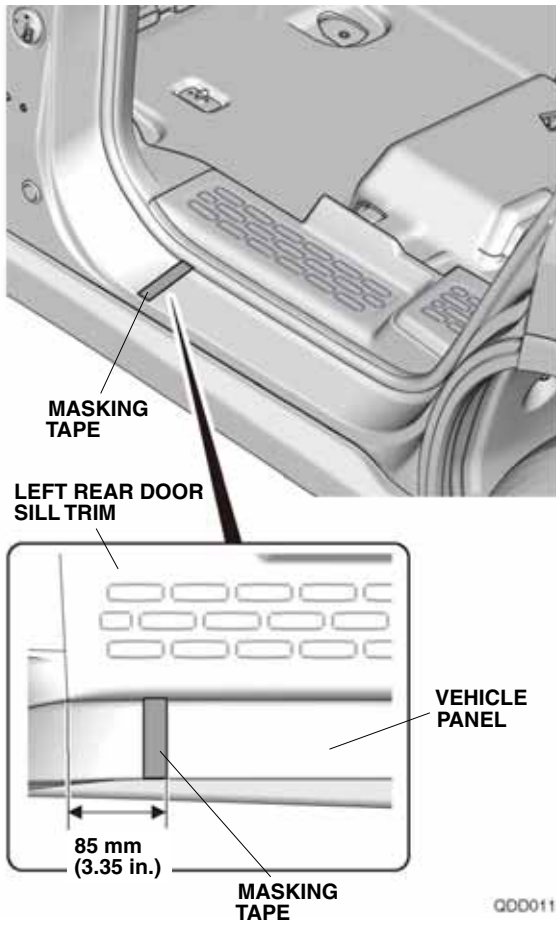
QDD0113AG

40. Secure the 2-pin connectors to the vehicle harness with one wire tie.

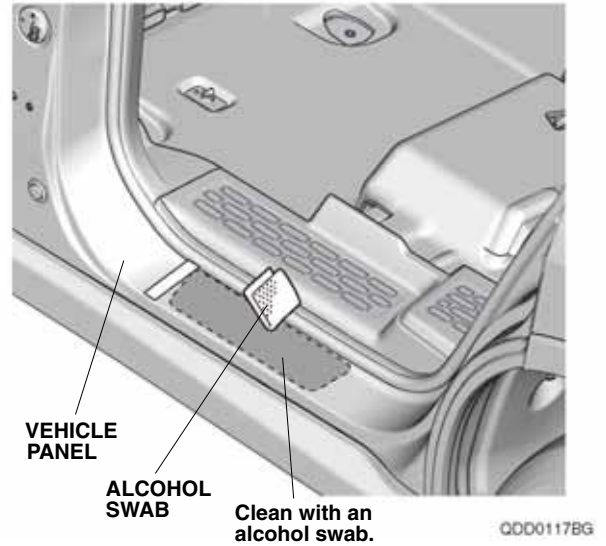


QDD0114AG

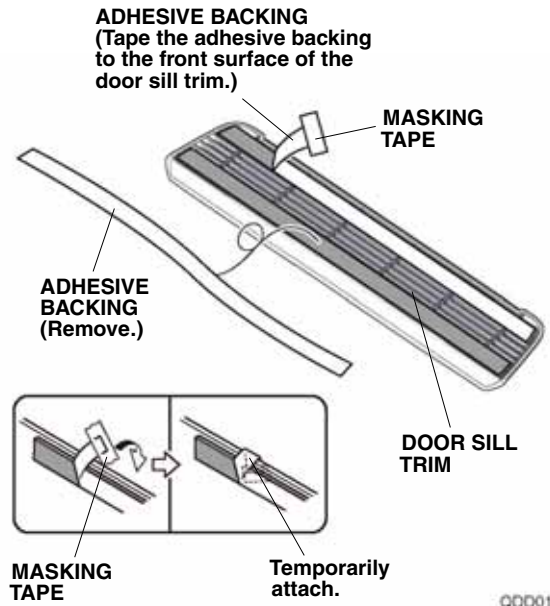
41. Attach a piece of masking tape to the vehicle panel in the location shown.



42. Using an alcohol swab, thoroughly clean the vehicle panel where the door sill trim will attach.

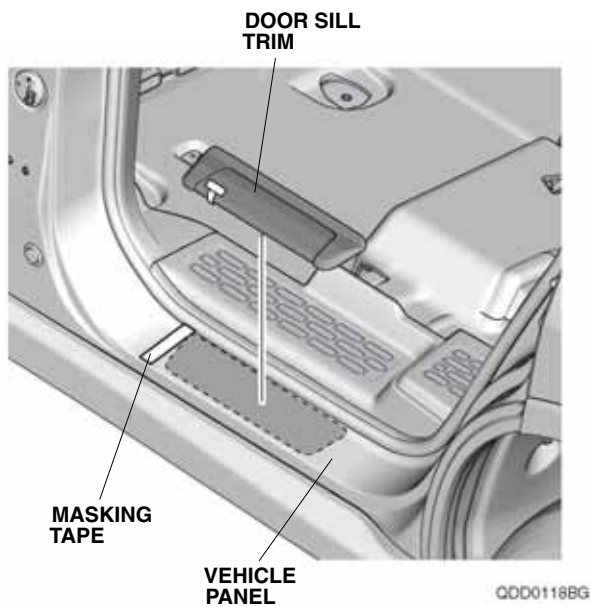


43. Peel back the adhesive backing, and tape it to the front surface of the door sill trim with masking tape. Remove the adhesive backing from the door sill trim.

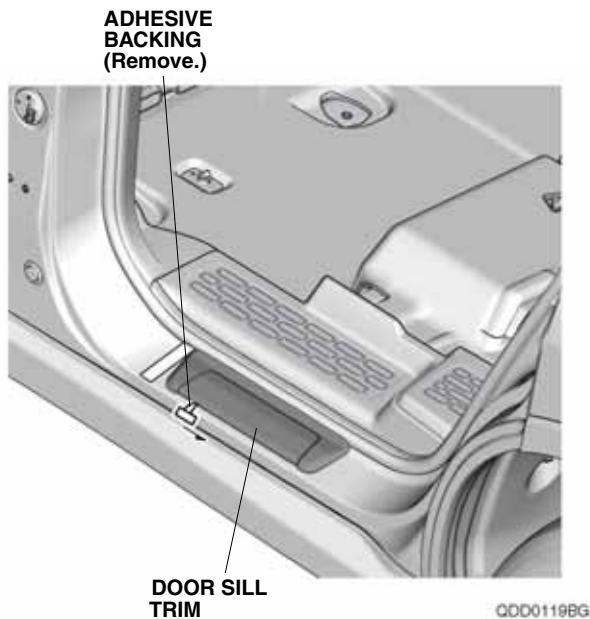




44. Align the door sill trim with the masking tape and install the door sill trim to the vehicle panel.



45. While applying light pressure against the door sill trim, carefully remove the adhesive backing.



46. Repeat steps 41 through 45 to install the door sill trim on the right side of the vehicle.

47. Check that all wire harnesses are routed properly and all connectors are plugged in.
48. Reinstall all removed parts except for the front bulkhead cover and the intake air tube.
49. Reconnect the negative cable to the battery.
50. Reinstall the front bulkhead cover and the intake air tube.
51. Press and hold the radio power button for two seconds to restore the radio and navi (if equipped) system functions.
52. Reset the clock on vehicle without navigation.
53. Restore the systems back to normal operation as described in the Service Manual if necessary.

**Check the Operation of the Illuminated Door Sill Trims**

54. Make sure the light comes on when you open each door.