



# INSTALLATION INSTRUCTIONS

Accessory  
**CARGO NET**  
P/N 08L96-TK8-100

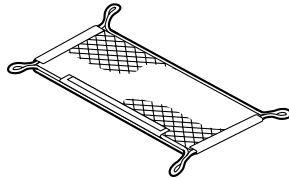
Application  
**2016 ODYSSEY**

Publications No.  
**VERSION 1**  
Issue Date  
**JULY 2015**

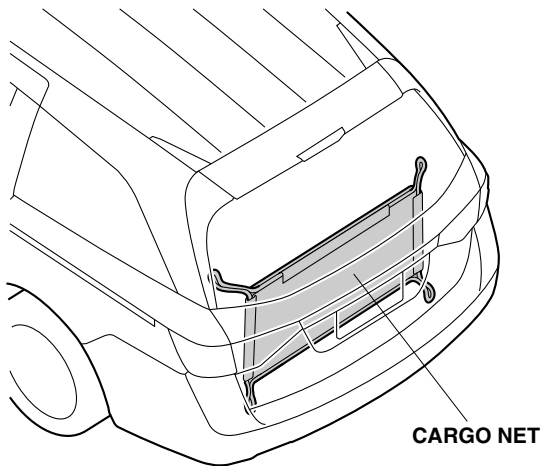
Put this information in the glove box with the vehicle owner's manual.

## PARTS LIST

Cargo net



## Illustration of the Cargo Net in the Vehicle

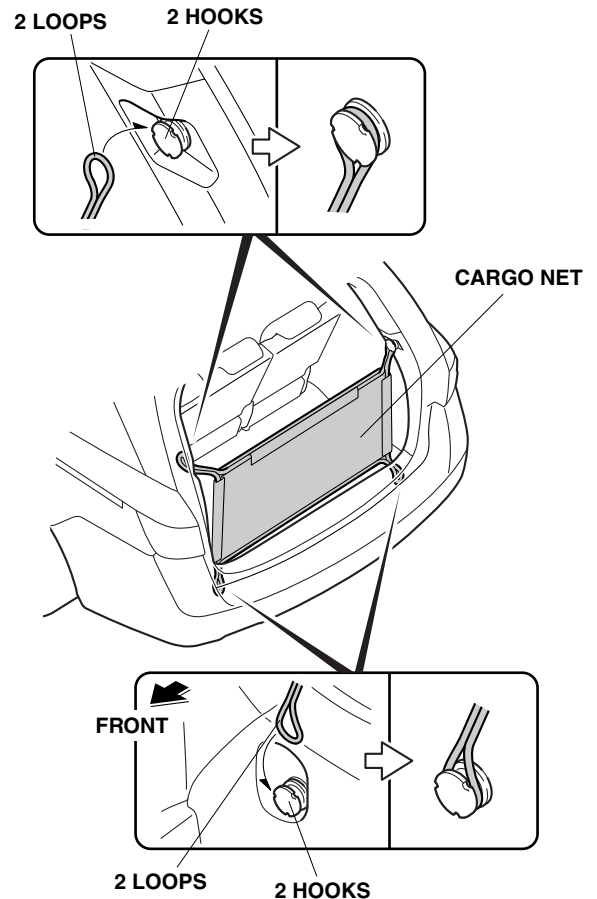


## INSTALLATION

**Customer Information:** The information in this installation instruction is intended for use only by skilled technicians who have the proper tools, equipment, and training to correctly and safely add equipment to your vehicle. These procedures should not be attempted by "do-it-yourselfers."

### Installing the Cargo Net

1. Open the tailgate.



2. Secure four loops on the cargo net to the four hooks in the vehicle as shown.