



INSTALLATION INSTRUCTIONS

Accessory
COLLARS
P/N 08L03-T7S-100

Application
2016 HR-V

Publications No.
VERSION 1
Issue Date
APR 2015

PARTS LIST

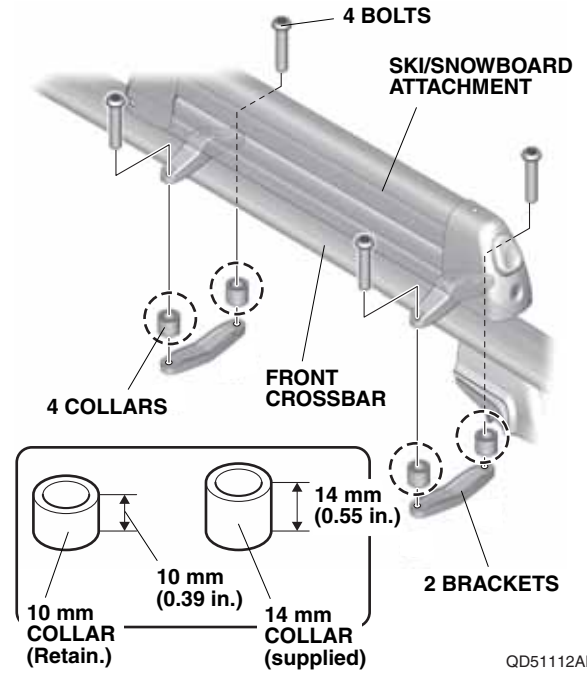
8 Collars



INSTALLATION

With Ski/Snowboard Attachment

When installing the ski/snowboard attachment (sold separately), install 14 mm collars included in this kit instead of 10 mm collars as described in the Installation Instructions for the ski/snowboard attachment.



QD51112AH