



INSTALLATION INSTRUCTIONS

Accessory FRONT GRILLE P/N 08F21-T5A-300	Application 2016 FIT	Publications No. VERSION 1
		Issue Date MAR 2015

PARTS LIST

Front grille



TOOL AND SUPPLIES REQUIRED

Phillips screwdriver

Ratchet

10 mm Socket

Tape

Blanket

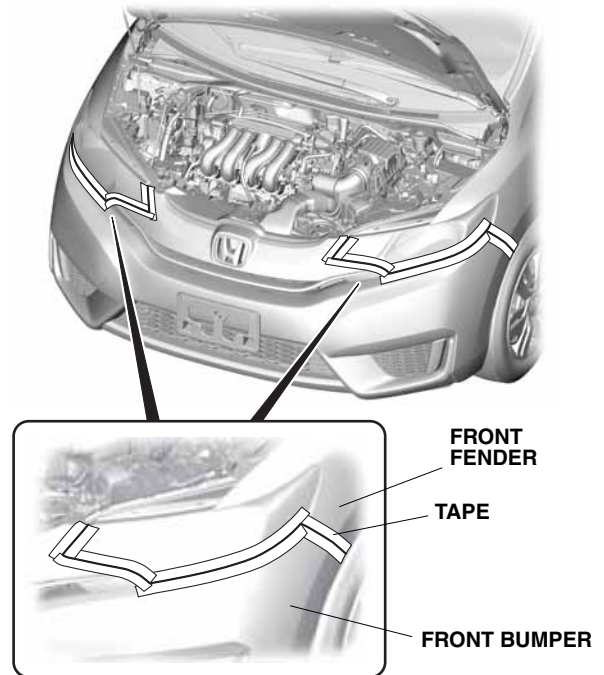
The following tool is available through the Honda Tool and Equipment Program. On the iN, click on: Service > Service Bay > Tool and Equipment Program, then enter the number under "Search". Or, call 888-424-6857.

- Trim Tool Set (T/N SOJATP2014)

INSTALLATION

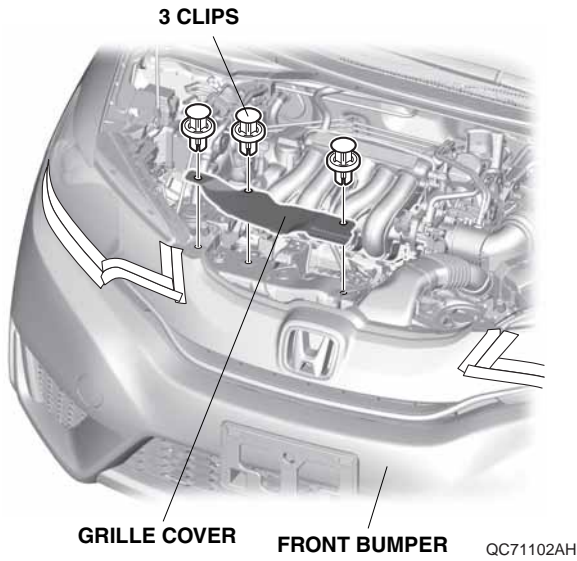
Customer Information: The information in this installation instruction is intended for use only by skilled technicians who have the proper tools, equipment, and training to correctly and safely add equipment to your vehicle. These procedures should not be attempted by "do-it-yourselfers."

1. Disconnect the negative cable from the battery.
2. Remove the front bumper:
 - Attach tape to the areas shown.

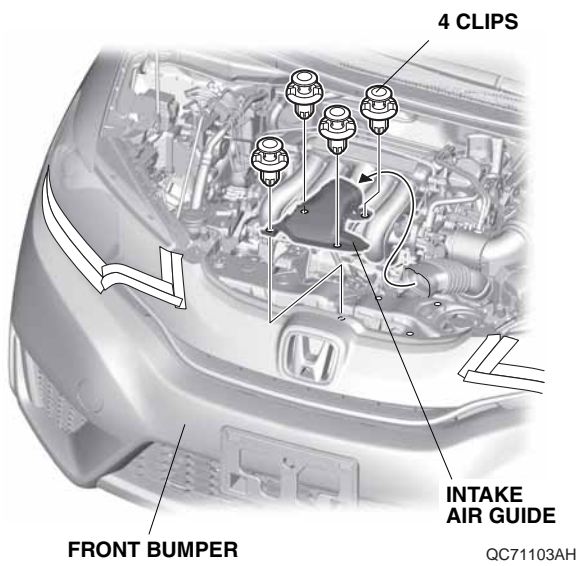


QC71101AH

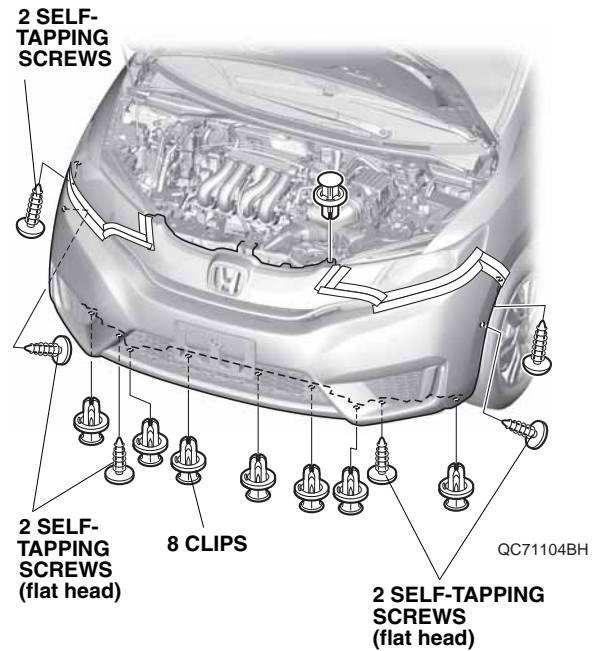
- Remove the grille cover.



- Remove the intake air guide.



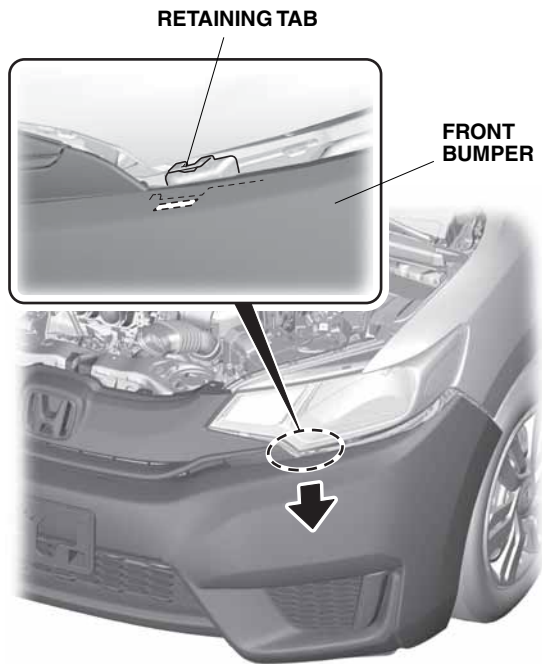
- Remove six self-tapping screws and eight clips.



- Release four retaining tabs on each side.

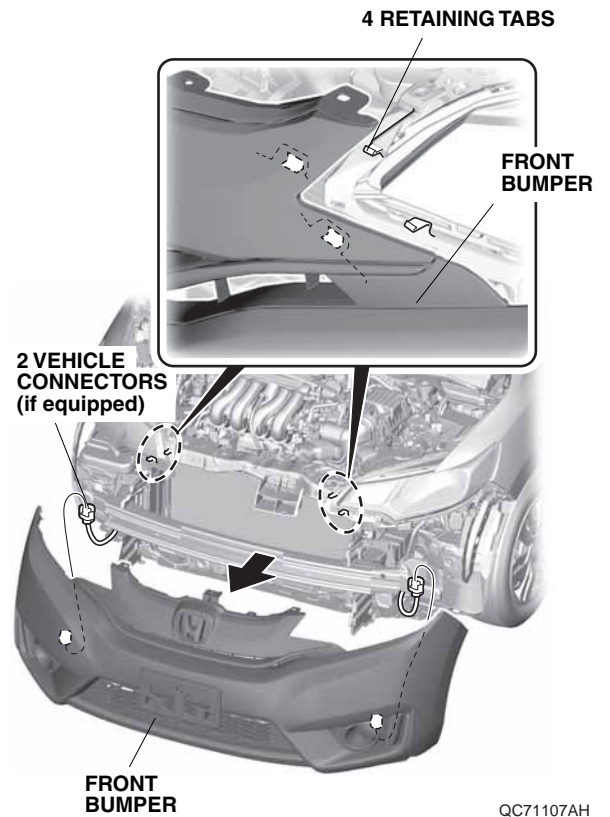


- With the help of an assistant, release one retaining tab on each side.



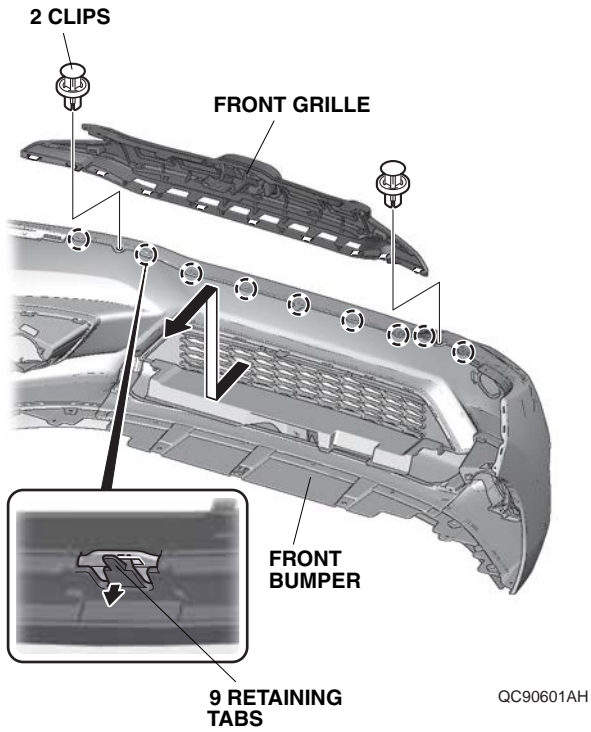
QC71106AH

- Then remove the front bumper. Place the front bumper on the blanket to prevent damage.

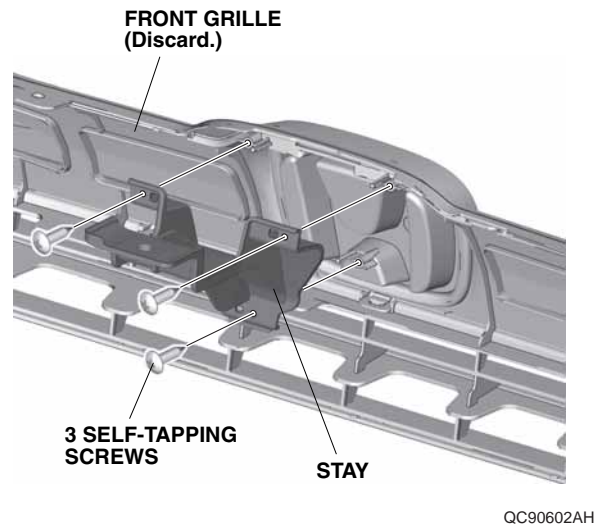


QC71107AH

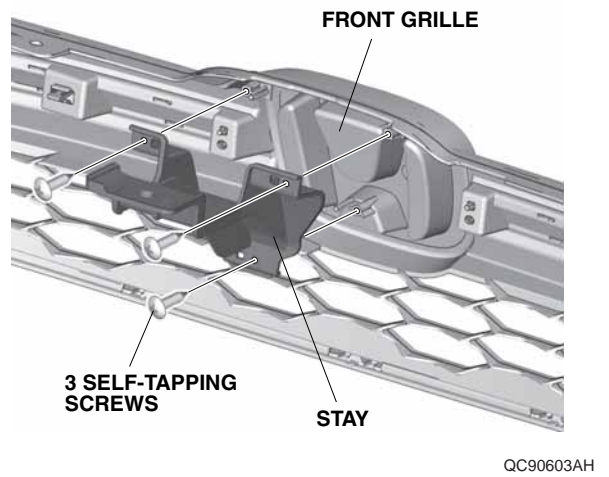
3. Remove the front grille from the front bumper.



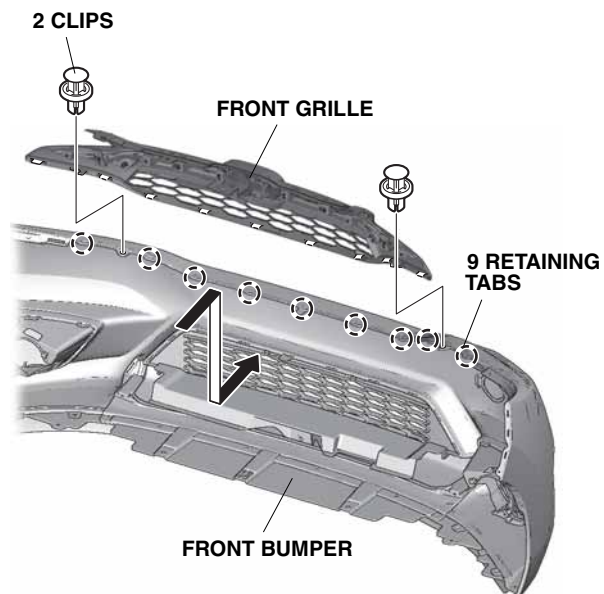
4. Remove the stay from the front grille.



5. Install the stay to the front grille.



6. Install the front grille to the front bumper.



QC90604AH

7. Check that all wire harnesses are routed properly and all connectors are plugged in.
8. Reinstall all removed parts.
9. Reconnect the negative cable to the battery.
10. Press and hold the radio power button for two seconds to restore the radio and navi (if equipped) system functions.
11. Reset the clock.
12. Restore the systems back to normal operation as described in the Service Manual if necessary.