



# INSTALLATION INSTRUCTIONS

Accessory  
**BODY SIDE MOLDINGS**  
P/N 08P05-T5A-100

Application  
**2016 FIT**

Publications No.  
**VERSION 1**  
Issue Date  
**MAR 2015**

## PARTS LIST

Left front body side molding  
(ID mark: FR-L)



Right front body side molding  
(ID mark: FR-R)



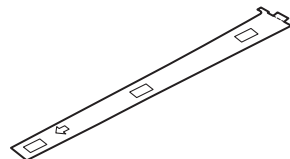
Left rear body side molding  
(ID mark: RR-L)



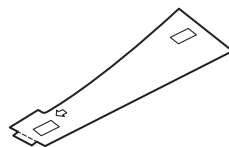
Right rear body side molding  
(ID mark: RR-R)



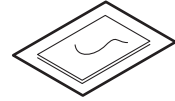
Front template



Rear template



4 Alcohol swabs



## TOOLS AND SUPPLIES REQUIRED

Masking tape

Ruler

*The following tool is available through the Honda Tool and Equipment Program. On the iN, click on: Service > Service Bay > Tool and Equipment Program, then enter the number under "Search". Or, call 888-424-6857.*

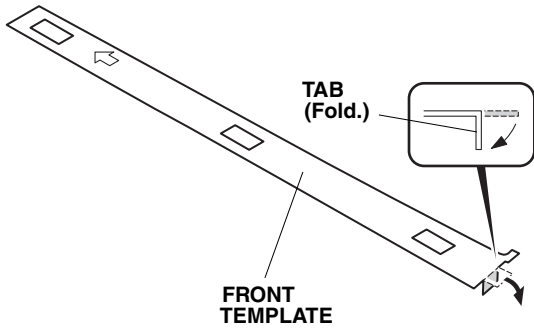
- Rubber Roller (T/N MHLE54D)

## INSTALLATION

### NOTE:

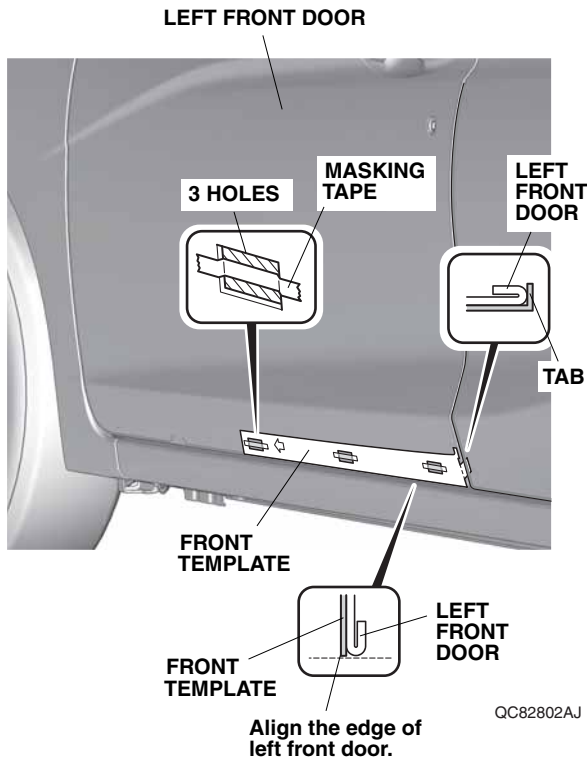
- If you are also installing door edge guards (sold separately), install them before you install the body side moldings.
- If you are also installing door edge films (sold separately), install them before you install the body side moldings.
- These installation instructions show the left body side moldings being installed. The same procedure applies to the right body side moldings.
- Be careful not to damage the body paint finish.
- This body side moldings kit should be installed only if the ambient air temperature is 15°C (60°F) or above.
- To allow the adhesive to cure, do not wash the vehicle for 24 hours. Please advise the customer.

1. Fold the front template tab in the direction shown.



QC82801AJ

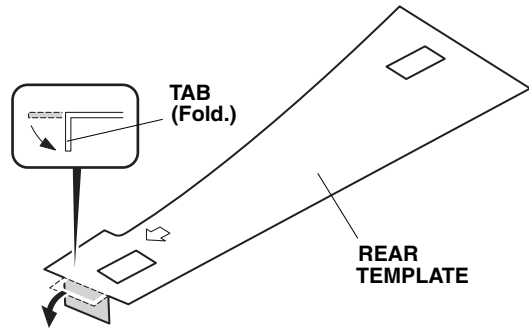
2. Align the front template tab with the left front door as shown.



QC82802AJ

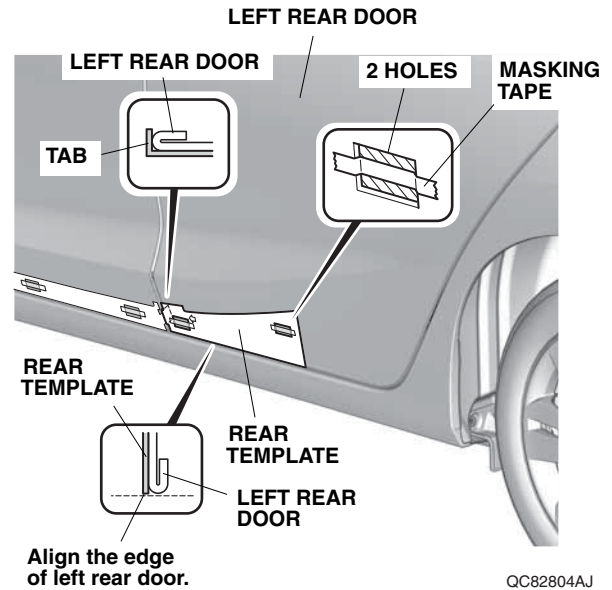
3. Align the bottom of the front template with the edge of the left front door, and attach it with masking tape.

4. Fold the rear template tab in the direction shown.



QC82803AJ

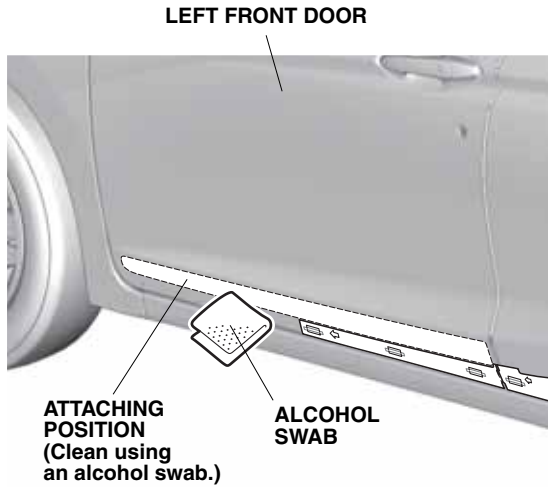
5. Align the rear template tab with the left rear door as shown.



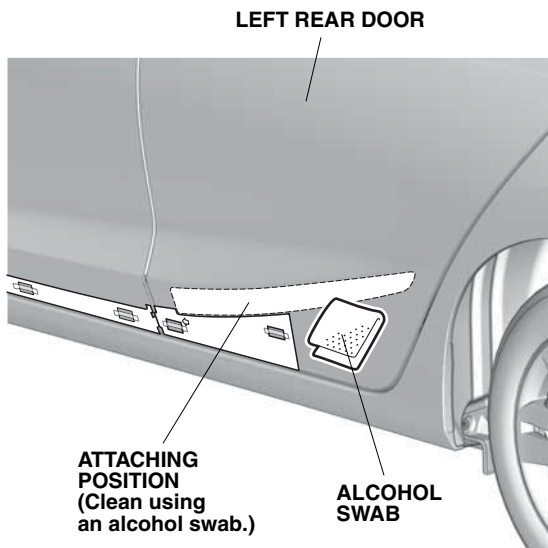
QC82804AJ

6. Align the bottom of the rear template with the edge of the left rear door, and attach it with masking tape.

- Using two alcohol swabs, clean the doors surface above the templates where the body side moldings will attach. Allow the alcohol to dry before installing the body side moldings.



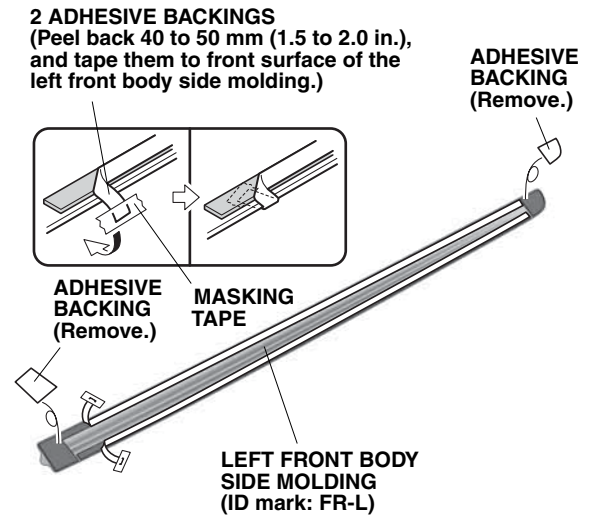
QC82805AJ



QC82806AJ

### Installing the Front Body Side Moldings

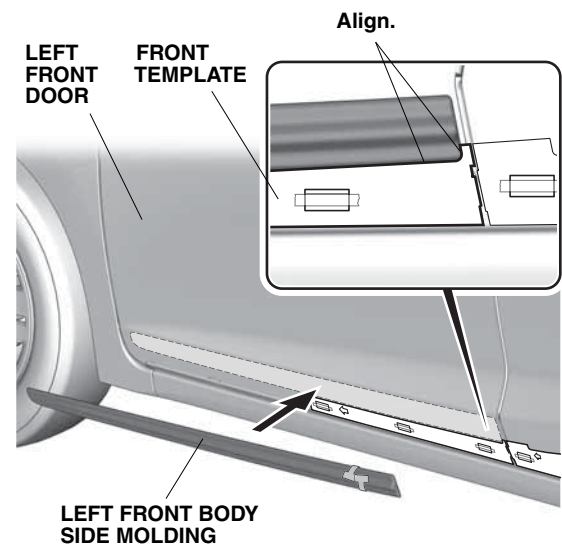
- Peel back about 40 to 50 mm (1.5 to 2.0 in.) of adhesive backing from each adhesive strip, and tape the ends to the front surface of the molding. Remove the other adhesive backings.



QC82807AJ

If the vehicle is equipped with the accessory door edge guards or door edge films, go to step 10; otherwise, continue with step 9.

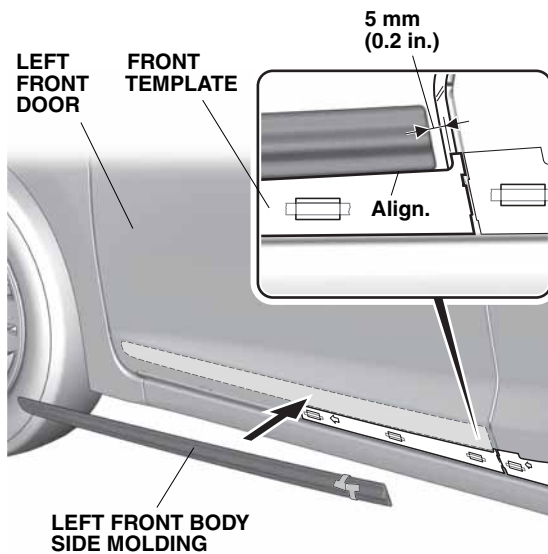
- Align the left front body side molding with the front template, and install the left front body side molding on the left front door. Go to step 11.



QC82808AJ

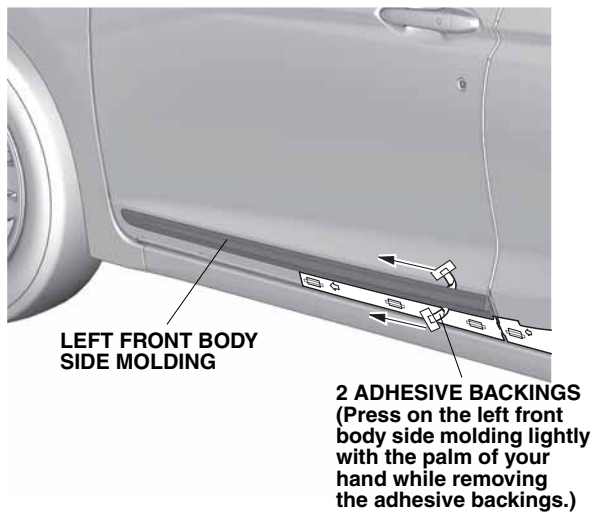
With Door Edge Guards or Door Edge Films

- Align the left front body side molding with the front template, and install the left front body side molding on the left front door.



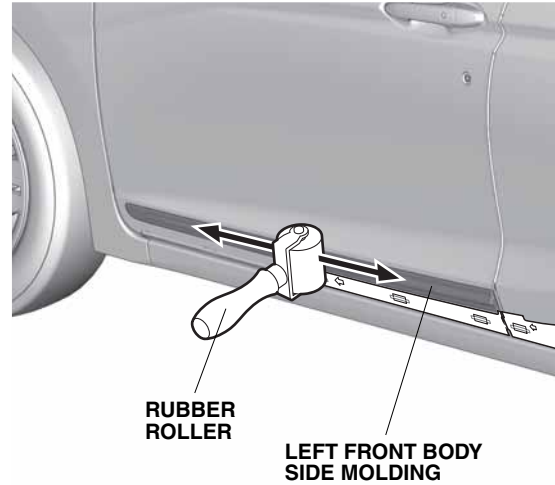
QD21403BJ

- Press on the left front body side molding lightly with the palm of your hand while removing about 50 to 100 mm (2.0 to 4.0 in.) of the adhesive backings at a time.



QC82809AJ

- Using the rubber roller, apply firm pressure while rolling to set the adhesive. Apply firm pressure especially at the ends.

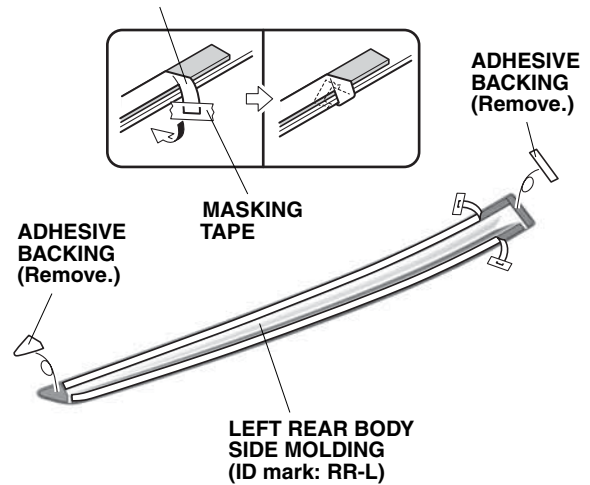


QC82810AJ

Installing the Rear Body Side Moldings

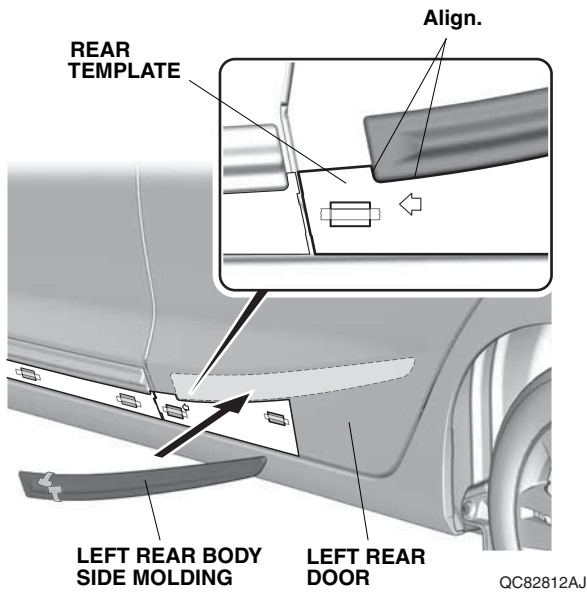
- Peel back about 40 to 50 mm (1.5 to 2.0 in.) of adhesive backing from each adhesive strip, and tape the ends to the front surface of the molding. Remove the other adhesive backings.

**2 ADHESIVE BACKINGS**  
(Peel back 40 to 50 mm (1.5 to 2.0 in.), and tape them to front surface of the molding.)

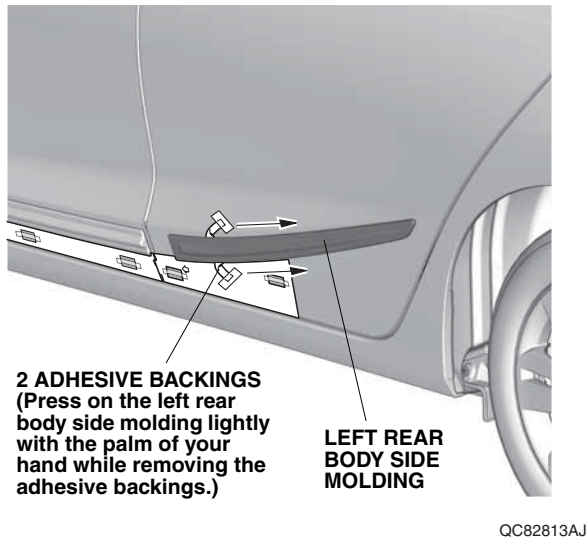


QC82811AJ

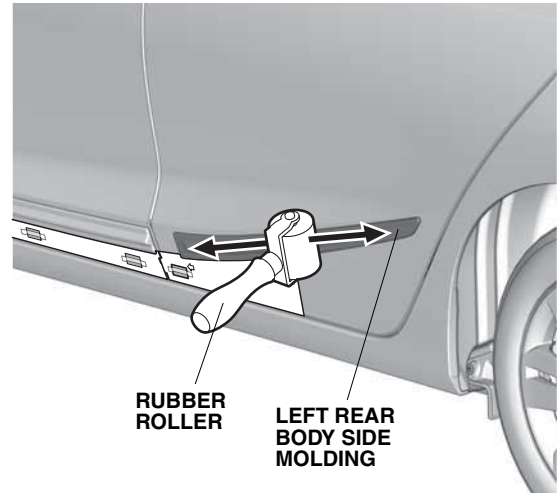
- Align the left rear body side molding with the rear template, and install the left rear body side molding on the left rear door.



- Press on the left rear body side molding lightly with the palm of your hand while removing about 50 to 100 mm (2.0 to 4.0 in.) of the adhesive backings at a time.



- Using the rubber roller, apply firm pressure while rolling to set the adhesive from end to end.



- Remove the front and rear templates.
- Turn the front and rear templates over, and repeat steps 1 through 17 to install the right body side moldings.