



# INSTALLATION INSTRUCTIONS

Accessory	Application	Publications No.
2ND ROW SEAT COVERS P/N 08P32-T5A-100	2016 FIT	VERSION 1
		Issue Date MAR 2015

## PARTS LIST

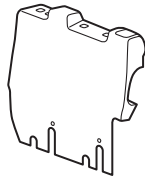
2 head restraint covers



Center head restraint cover



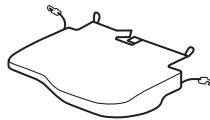
Left seat-back cover



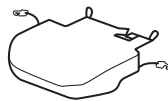
Right seat-back cover



Left seat cushion cover



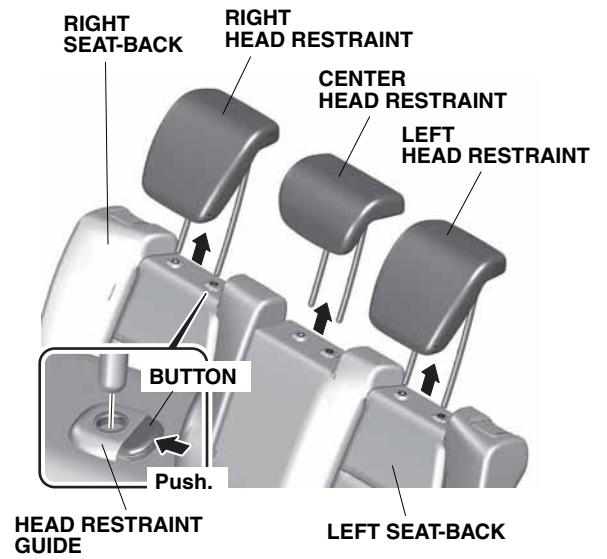
Right seat cushion cover



## INSTALLATION

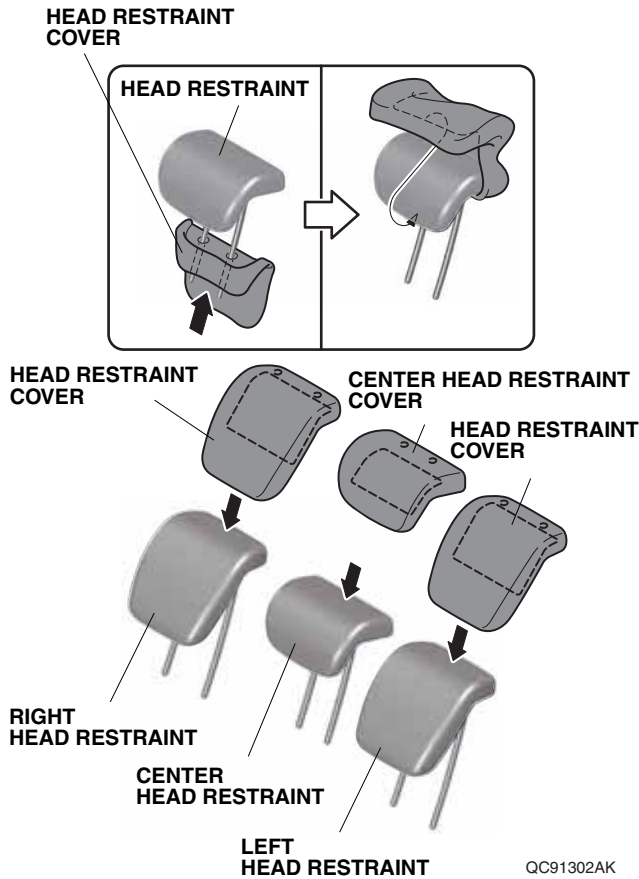
### Installing the Head Restraint Covers

1. Remove each head restraint by pushing the button and lifting up on the head restraint.



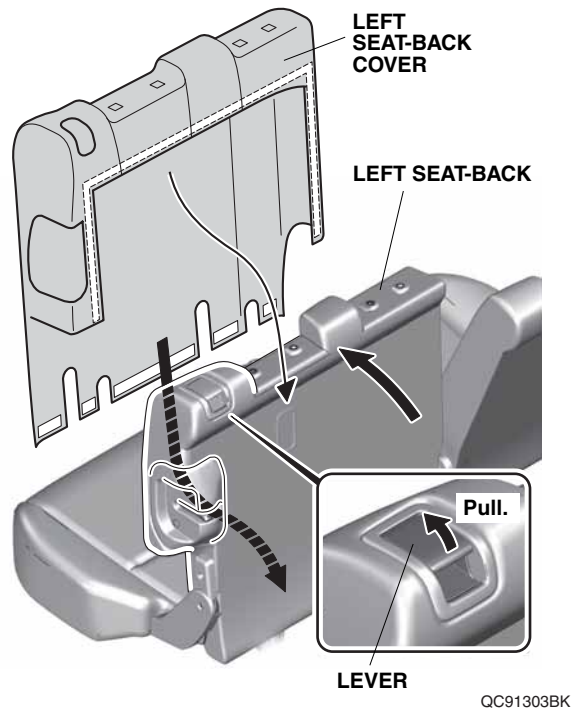
QC91301AK

2. Install a head restraint cover on each head restraint as shown.

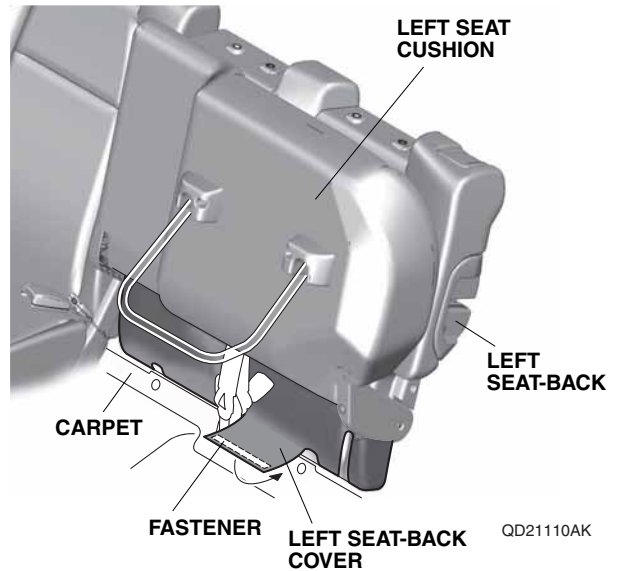


### Installing the Left Seat-back Cover

3. Pull the lever and fold the left seat-back halfway forward. Install the left seat-back cover over the left seat-back.



4. Lift up the left seat cushion. Secure the fastener on the left seat-back cover as shown.



- Lower the left seat cushion, and fold the left seat-back fully forward. Pull the seat-back cover tight, and secure it to the left seat-back with the five fasteners.

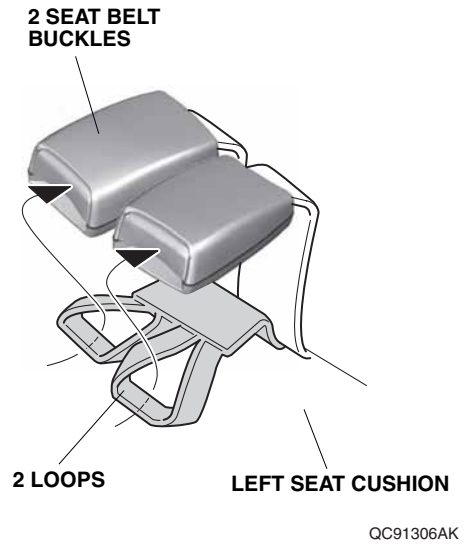


- Lift the left seat-back. Tuck the left seat-back cover under each head restraint guide as shown.

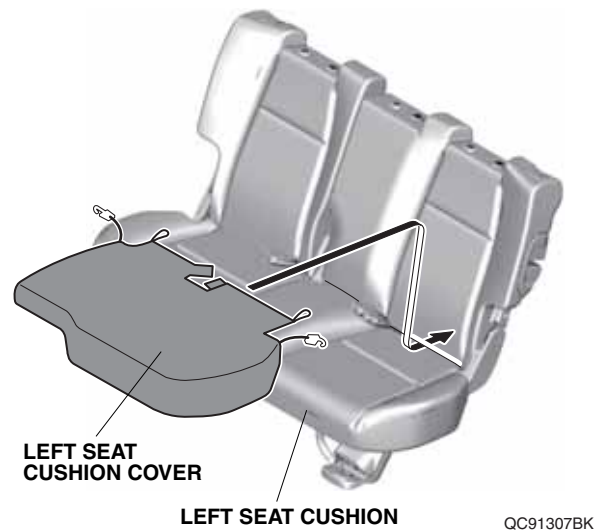


## Installing the Left Seat Cushion Cover

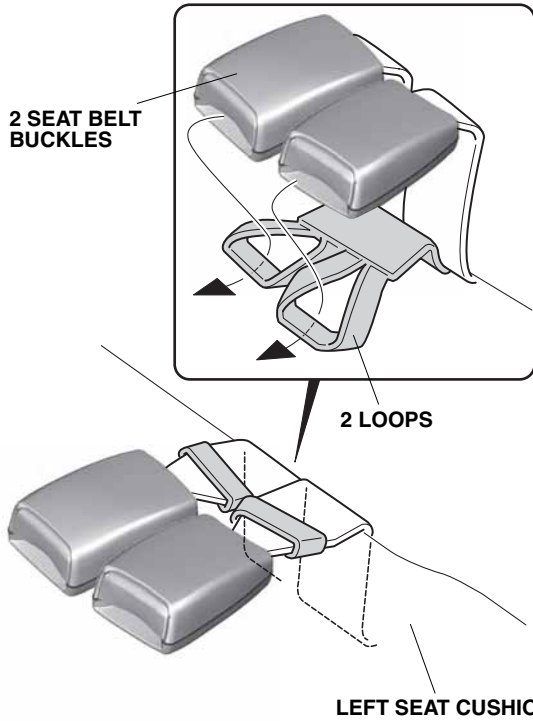
- Remove the two seat belt buckles from the loops.



- Install the left seat cushion cover over the left seat cushion.

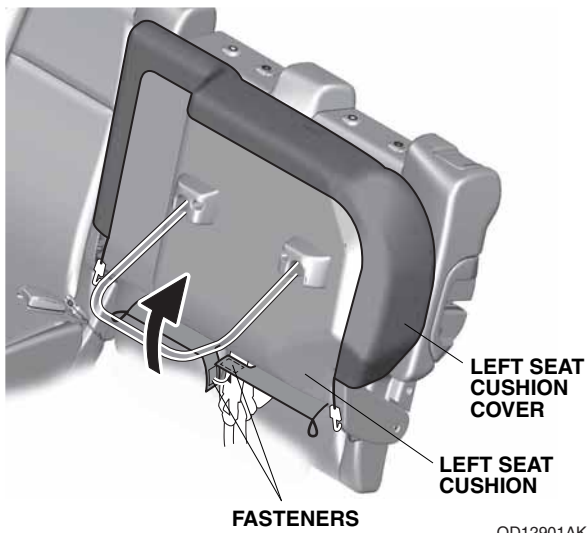


- Secure the seat belt buckles in the two loops.



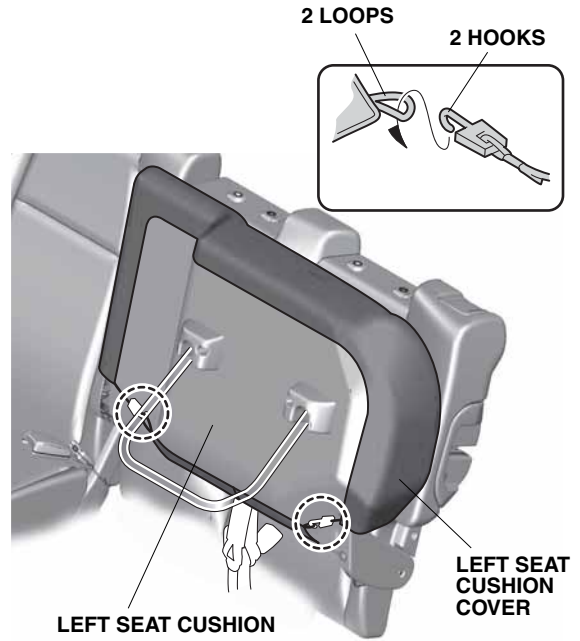
QC91309AK

- Lift up the left seat cushion. Secure the fasteners on the left seat cushion.



QD12901AK

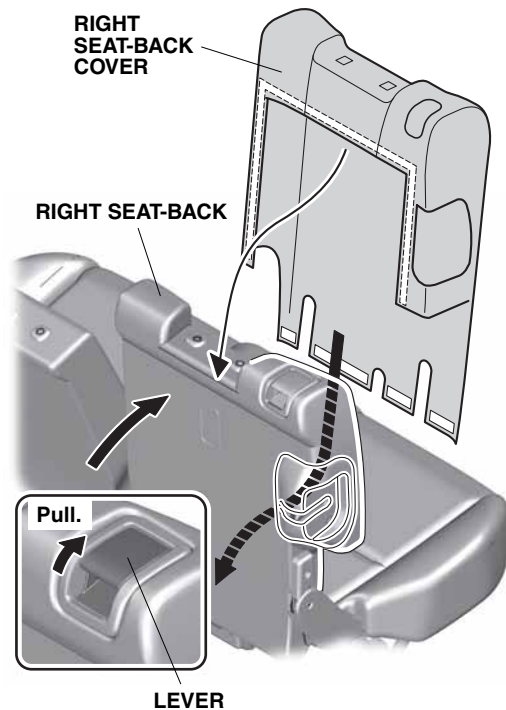
- Secure the left seat cushion cover to the left seat cushion with two hooks and two loops, and lower the left seat cushion.



QC91308BK

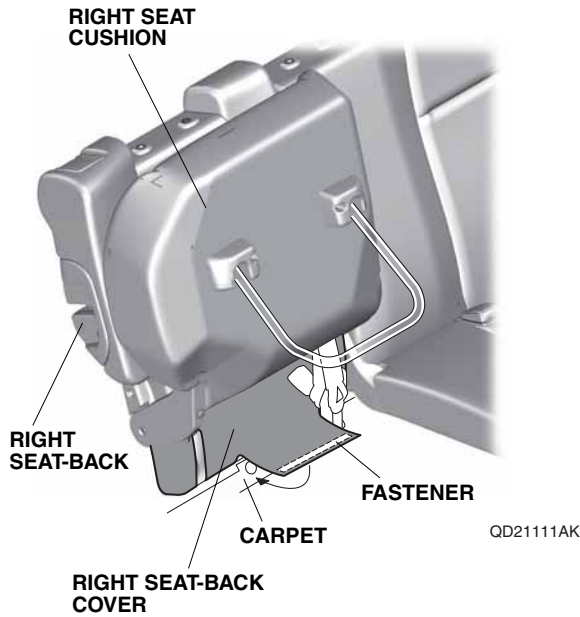
### Installing the Right Seat-back Cover

- Pull the lever and fold the right seat-back halfway forward. Install the right seat-back cover over the right seat-back.

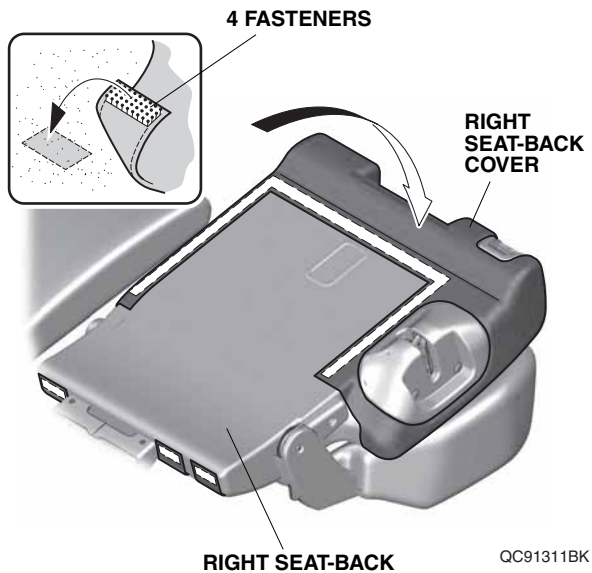


QC91310BK

13. Lift up the right seat cushion. Secure the fastener on the right seat-back cover as shown.



14. Lower the right seat cushion, and fold the right seat-back fully forward. Pull the seat-back cover tight, and secure it to the right seat-back with the four fasteners.

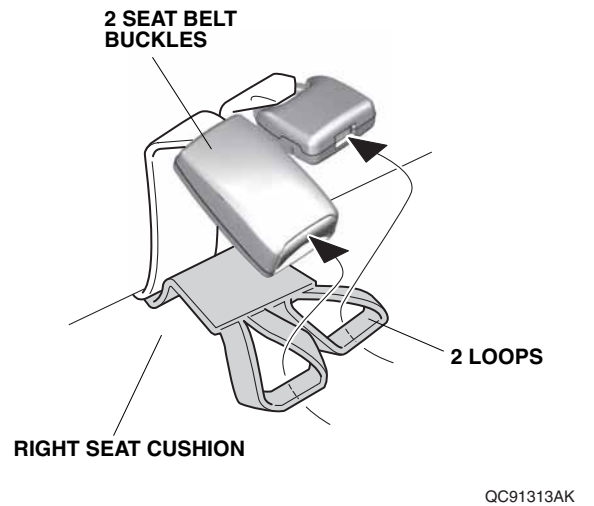


15. Lift the right seat-back. Tuck the right seat-back cover under each head restraint guide as shown.

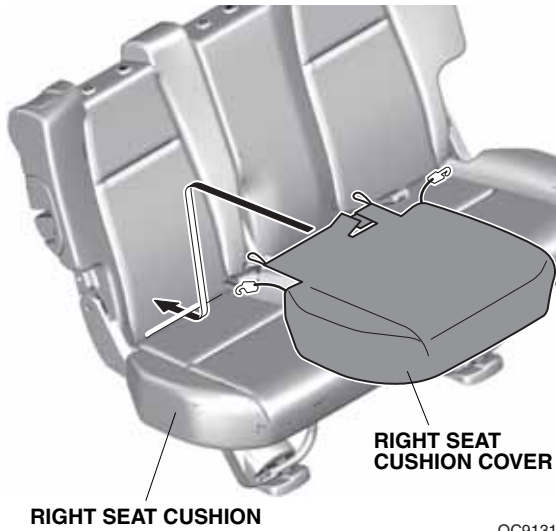


### Installing the Right Seat Cushion Cover

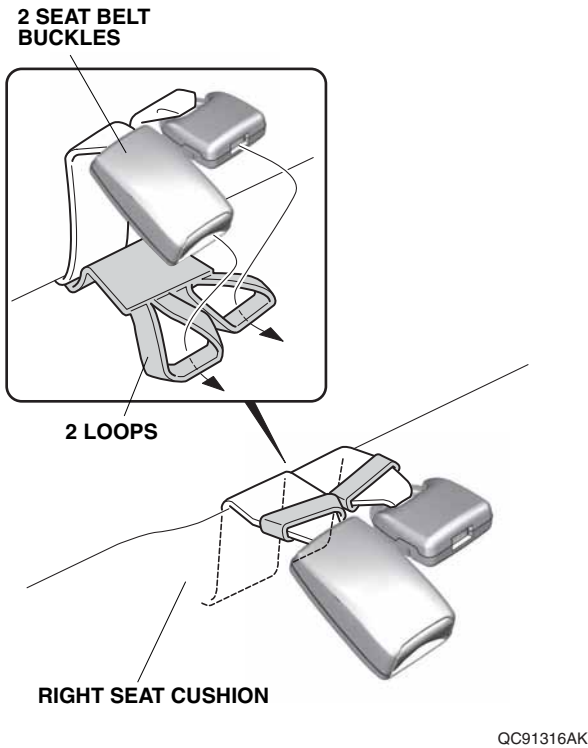
16. Remove the two seat belt buckles from the loops.



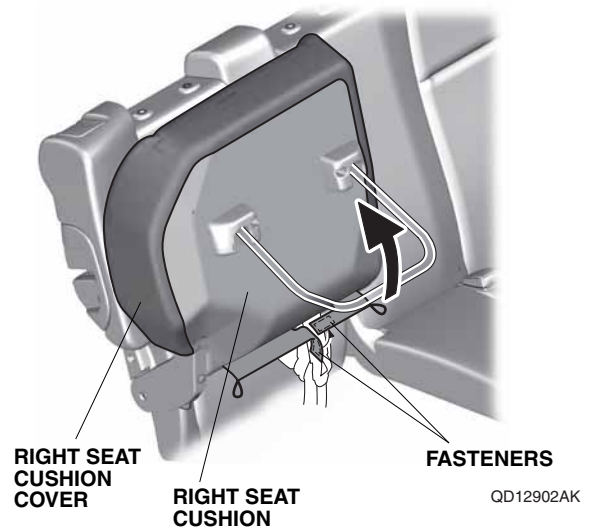
17. Install the right seat cushion cover over the right seat cushion.



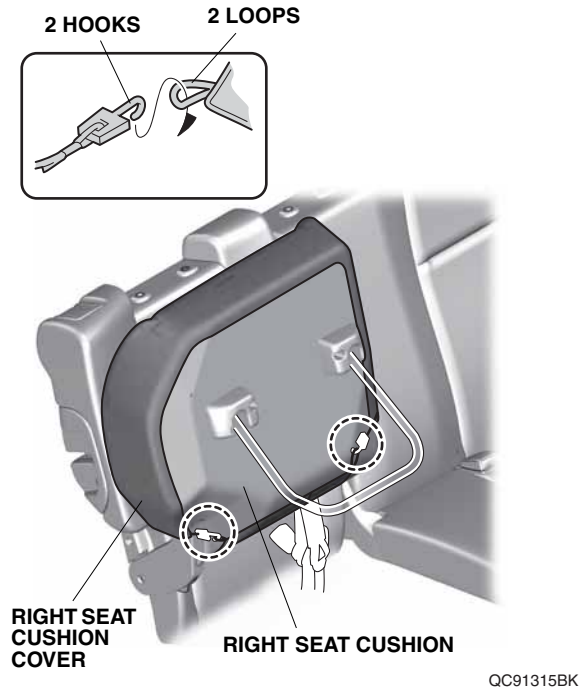
18. Secure the seat belt buckles in the two loops.



19. Lift up the right seat cushion. Secure the fasteners on the right seat cushion cover as shown.



20. Secure the right seat cushion cover to the right seat cushion with two hooks and two loops, and lower the right seat cushion.



21. Install the headrests.