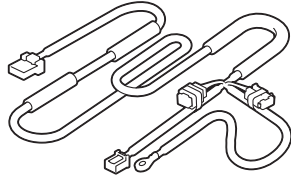


**PARTS LIST****Attachment Kit  
P/N 08V03-TBA-100**

Automatic day/night mirror harness

Harness cover  
(May not be used)

7 Wire ties



Urethane tape



Fuse label

**Service Parts**

Automatic day/night mirror (With CMBS)



Automatic day/night mirror (Without CMBS)

**TOOLS AND SUPPLIES REQUIRED**

Phillips screwdriver

Flat-tip screwdriver

Ratchet

10 mm Socket

Isopropyl alcohol

Shop towel

Diagonal cutters

Torque wrench

T20 TORX bit

Flashlight

Tape

10 mm Open end wrench

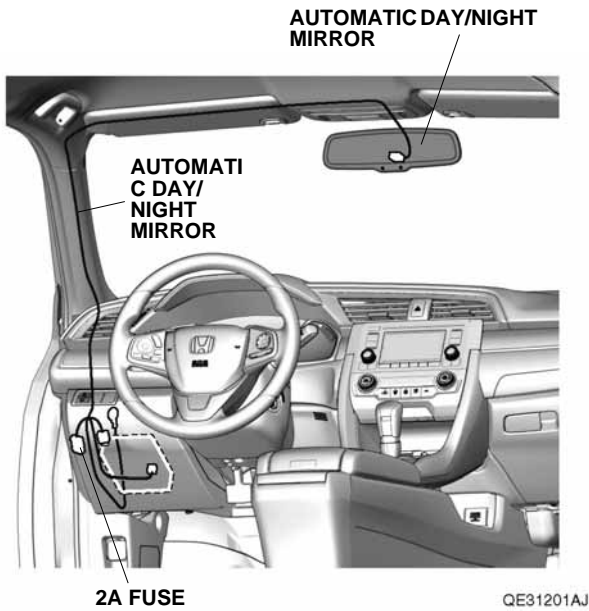
Ruler

Masking tape

*The following tools are available through the Honda Tool and Equipment Program. On the iN, click on Service > Service Bay > Tool and Equipment Program, then enter the number under "Search". Or, call 888-424-6857.*

- Trim Tool Set (T/N SOJATP2014)
- Plastic Trim Tool (T/N SILTRIMTL10)

**Illustration of the Automatic Day/Night Mirror in the Vehicle**



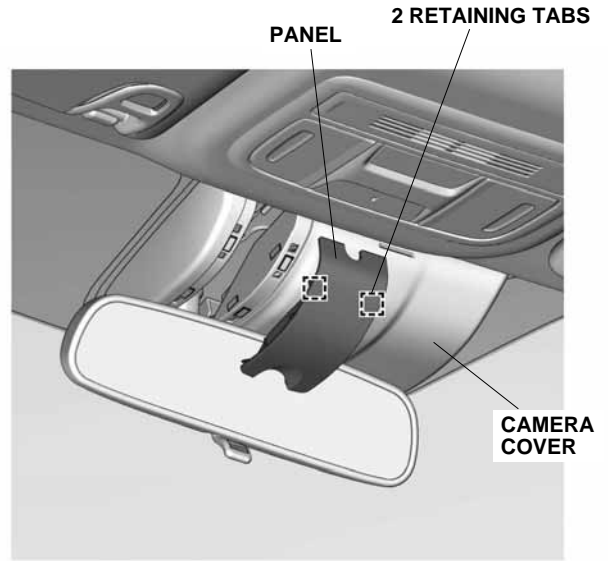
**INSTALLATION**

**Customer Information:** The information in this installation instruction is intended for use only by skilled technicians who have the proper tools, equipment, and training to correctly and safely add equipment to your vehicle. These procedures should not be attempted by "do-it-yourselfers."

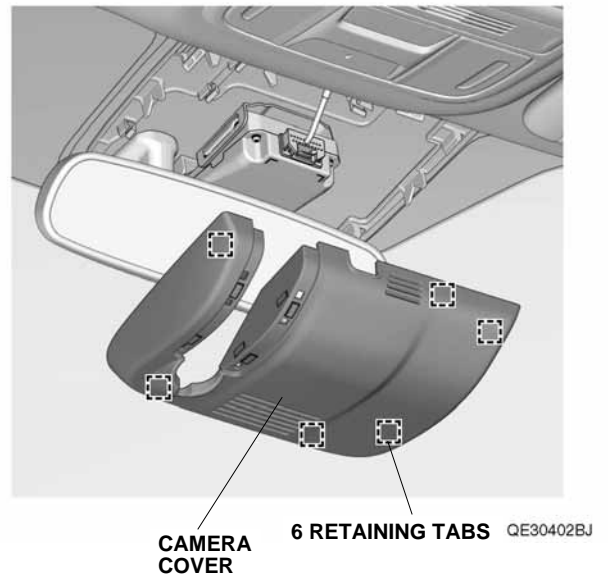
1. Disconnect the negative cable from the battery.

If the vehicle is equipped with CMBS, continue with step 2. If not, go to step 4.

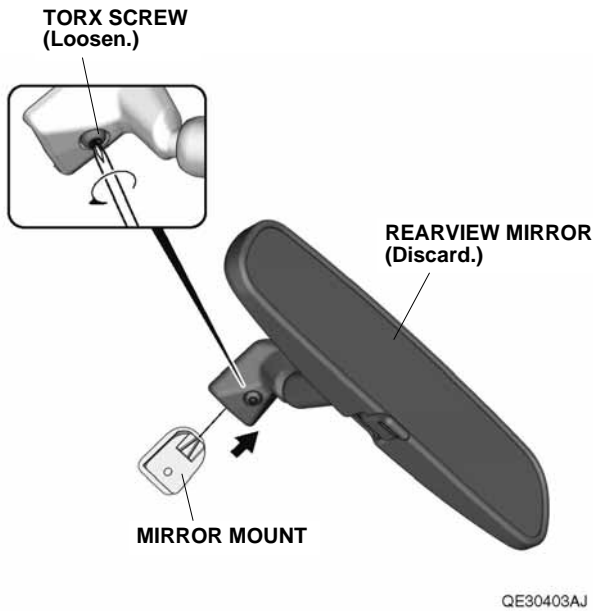
2. Remove the panel from the camera cover.



3. Remove the camera cover.

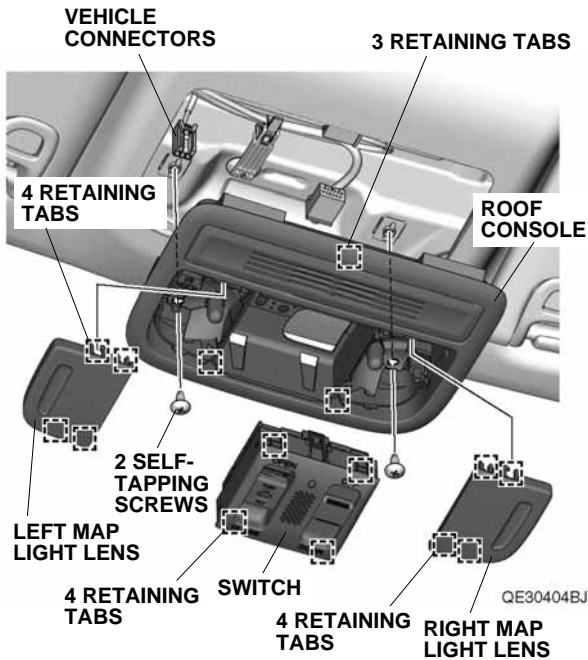


- Loosen the TORX screw and remove the rearview mirror.

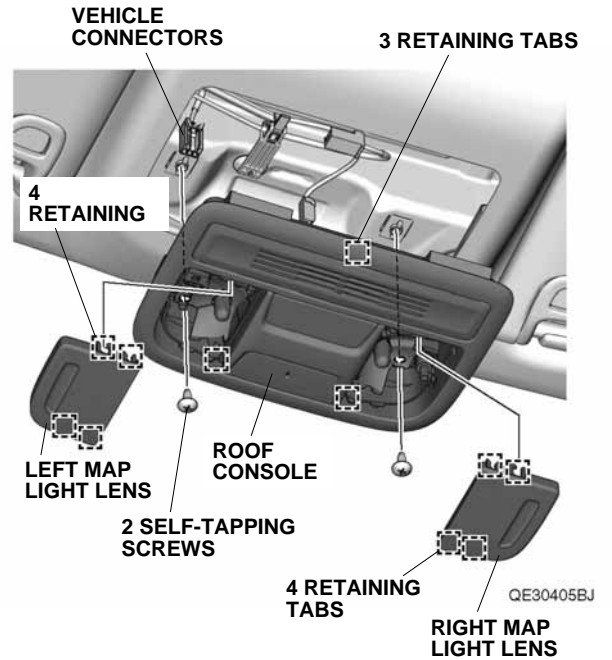


- Remove the left and right map light lenses from the map light. Remove the two self-tapping screws.

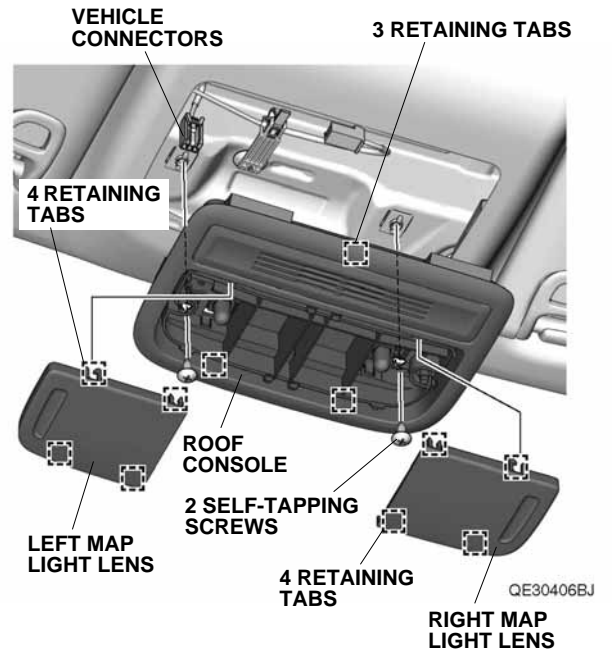
**With Moonroof:** Remove the roof console. Then unplug the vehicle connectors, and remove the switch.



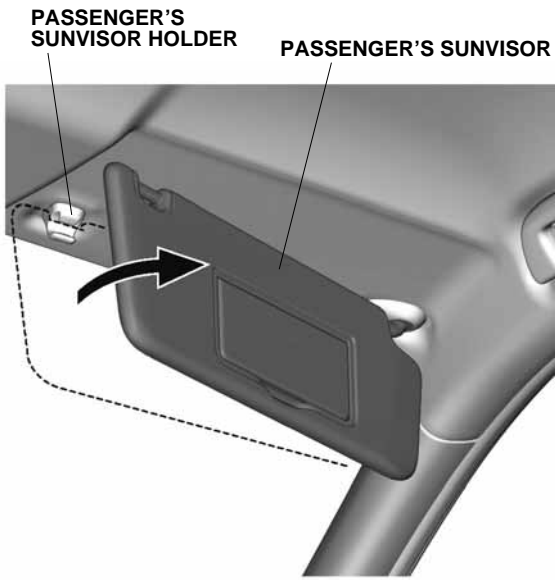
**Without Moonroof and With Ambient light:** Remove the roof console and unplug the vehicle connectors.



**Without Moonroof and Ambient light:** Remove the roof console and unplug the vehicle connectors.

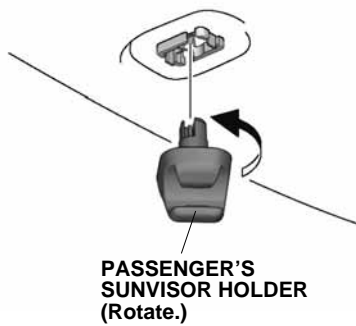


6. Release the passenger's sunvisor from the passenger's sunvisor holder.



QE30407AJ

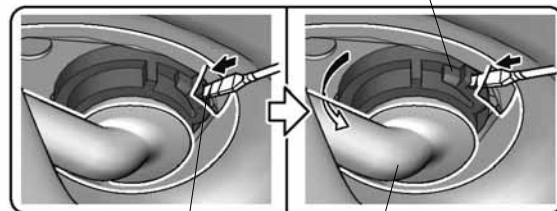
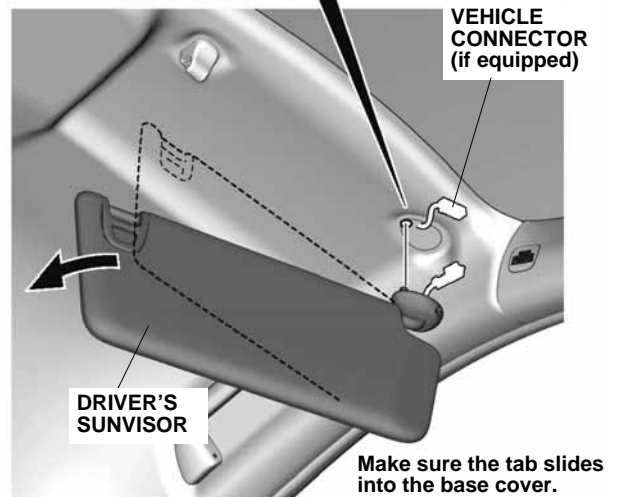
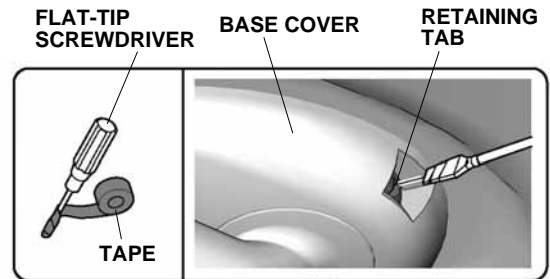
7. Remove the passenger's sunvisor holder by rotating it 90° counterclockwise.



QE30408AJ

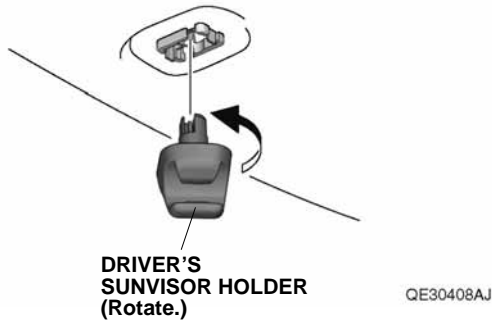
8. Remove the driver's sunvisor and unplug the vehicle connector:

- Pivot the driver's sunvisor downward.
- Wrap tape around the tip of flat-tip screwdriver.
- Locate the slot in the base cover and insert the flat-tip screwdriver into the slot. Push in and hold the retaining tab.
- While holding the retaining tab, push up on the sunvisor and rotate it toward the door.  
NOTE: If the retaining tab does not stay pushed in, return the sunvisor to its original position and repeat this step.

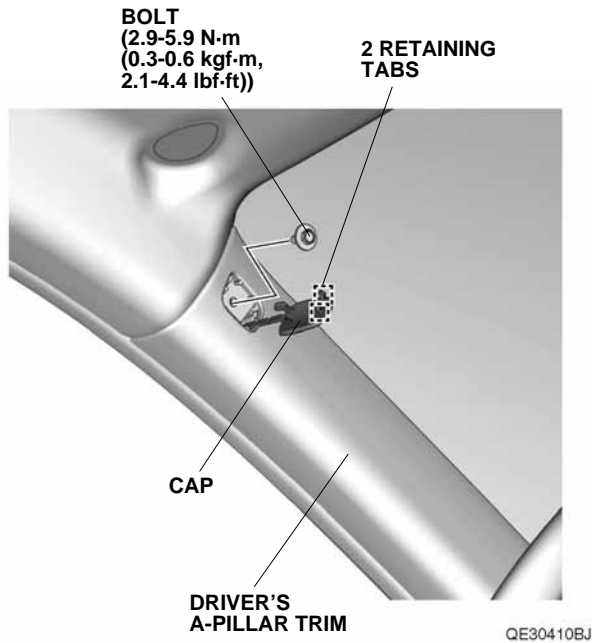


QE30409AJ

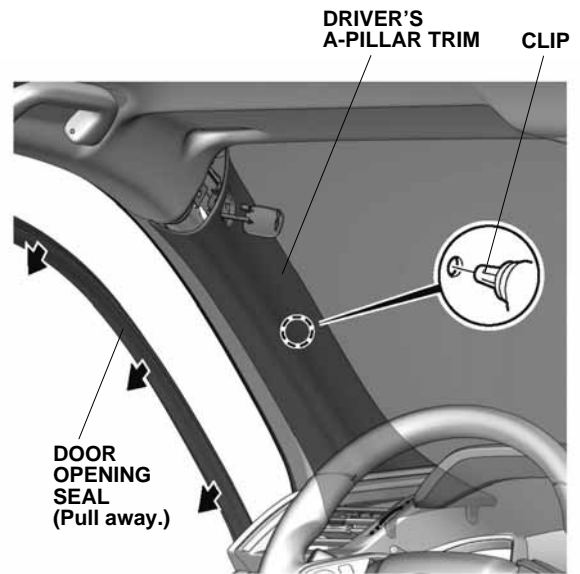
- Remove the driver's sunvisor holder by rotating it 90° counterclockwise.



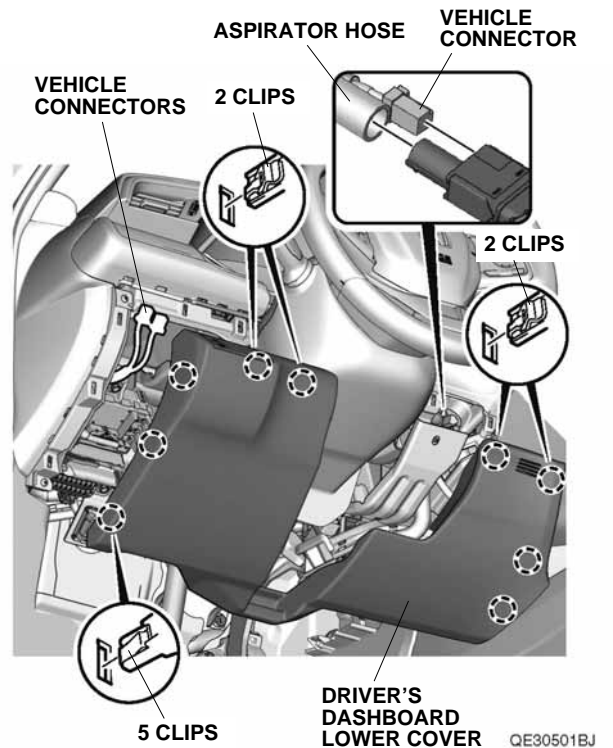
- Open the cap and remove the bolt.



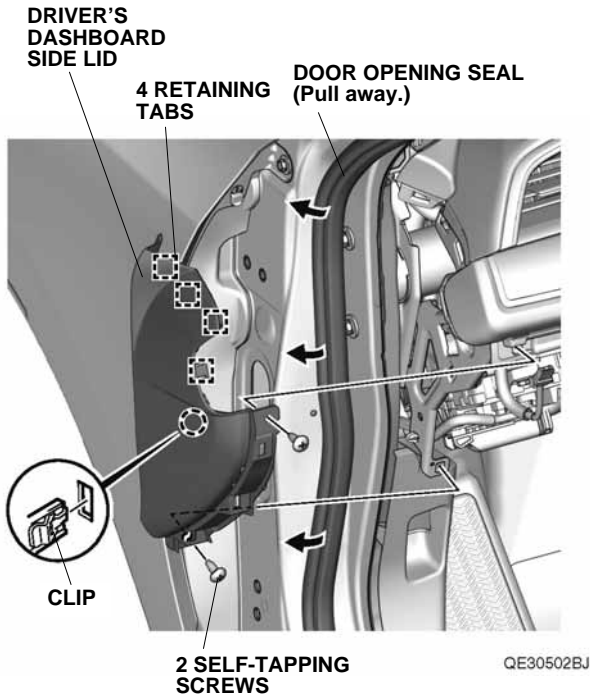
- Pull away the door opening seal and remove the driver's A-pillar trim.



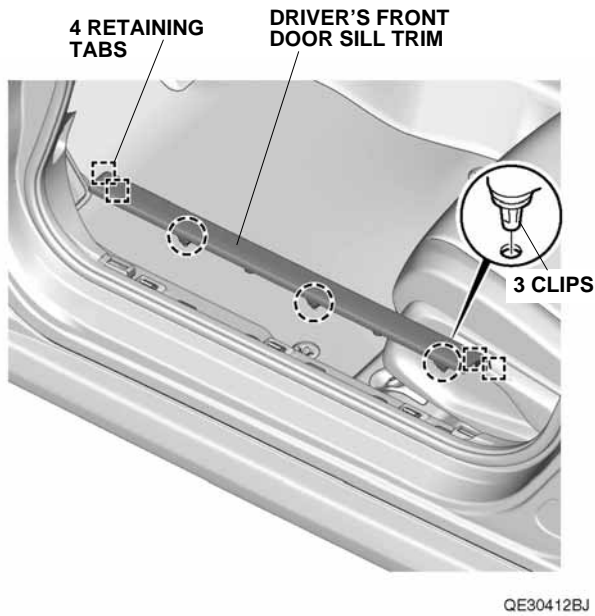
- Remove the driver's dashboard lower cover, unplug the vehicle connectors and aspirator hose.



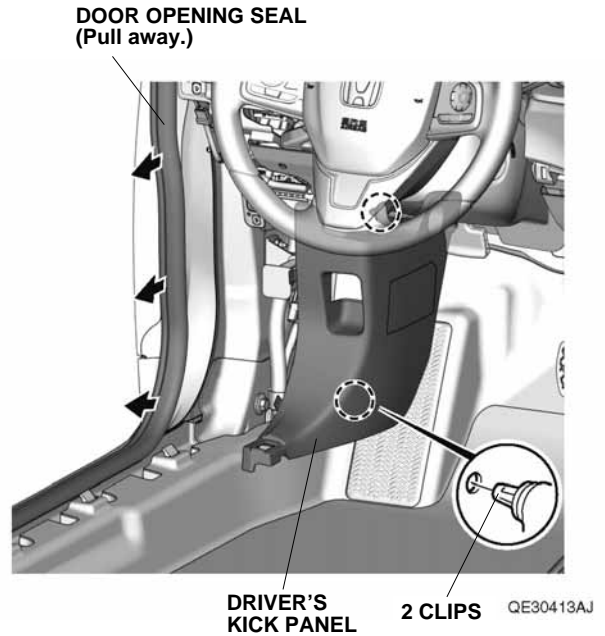
- Pull away the door opening seal and remove the driver's dashboard side lid.



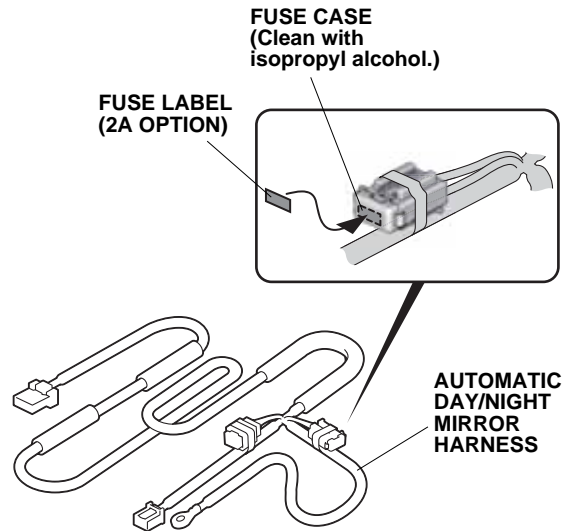
- Remove the driver's front door sill trim.



- Pull away the door opening seal and remove the driver's kick panel.



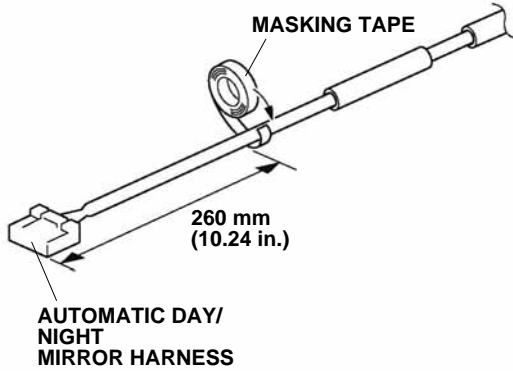
- Using isopropyl alcohol on a shop towel, clean the fuse case where the fuse label will attach.



- Attach the fuse label to the automatic day/night mirror harness fuse case.

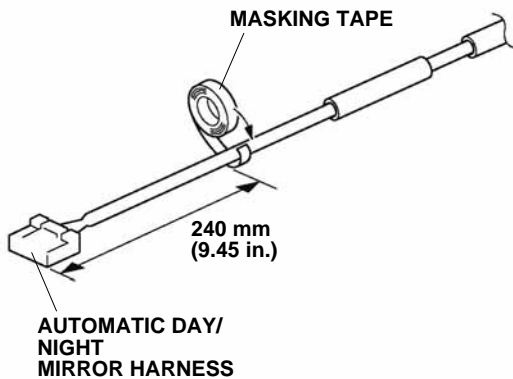
18. Wrap the masking tape around the automatic day/night mirror harness at the measurement shown.

With CMBS



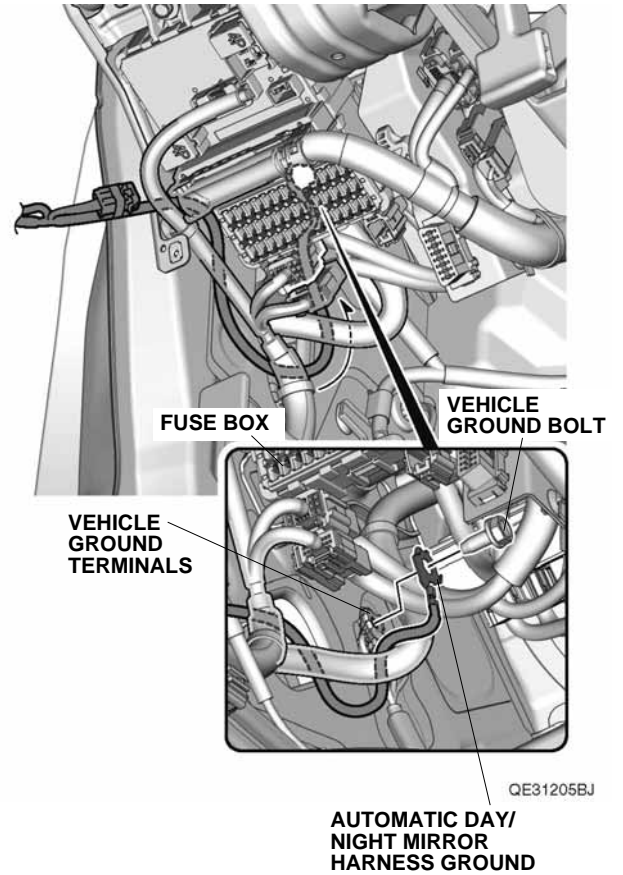
QE31203BJ

Without CMBS

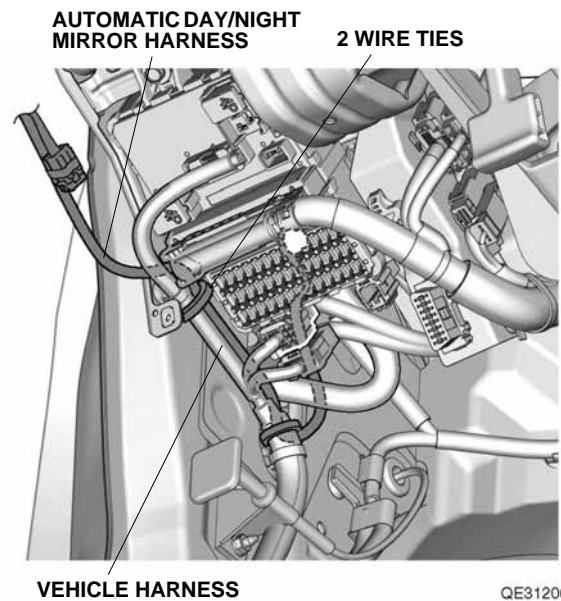


QE31204BJ

19. Remove the vehicle ground bolt and install the automatic day/night mirror harness ground terminal with vehicle ground bolt as shown. Do not put the ground terminal caulking on top of one another.



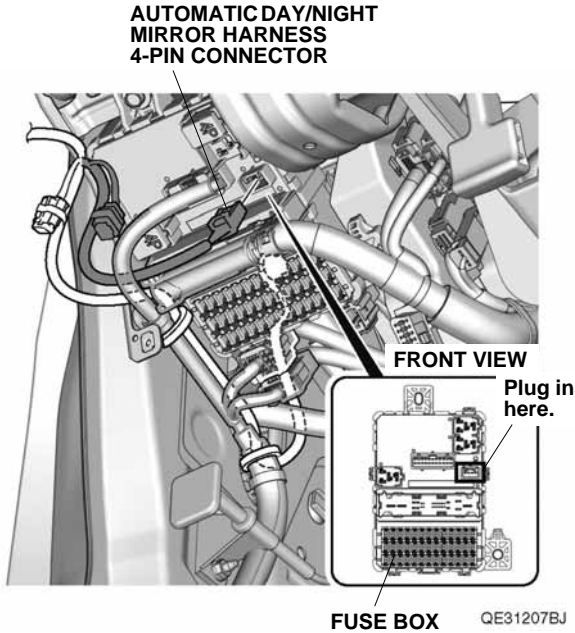
20. Secure the automatic day/night mirror harness to the vehicle harness with two wire ties.



If the vehicle is equipped with another accessory harness 4-pin connector, go to step 22. If not, continue with step 21.

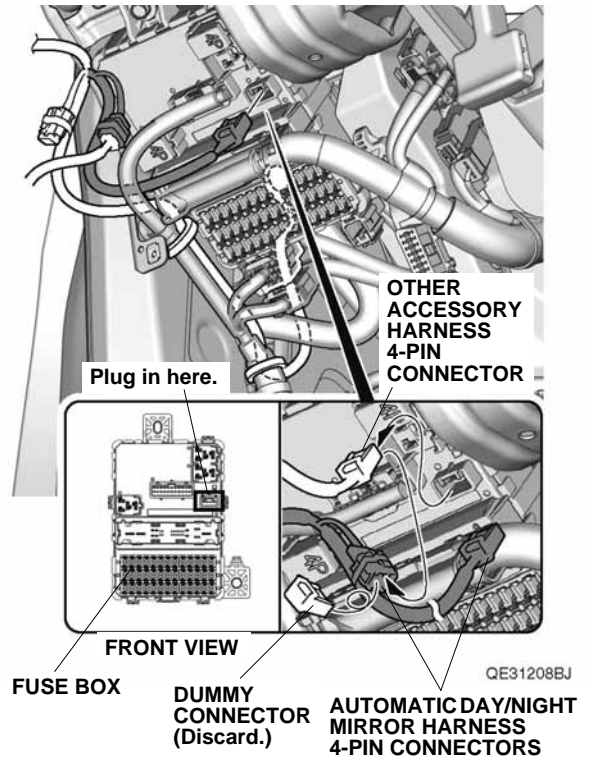
### Without Another Accessory Harness 4-pin Connector

21. Plug the automatic day/night mirror harness 4-pin connector into the fuse box. Go to step 23.



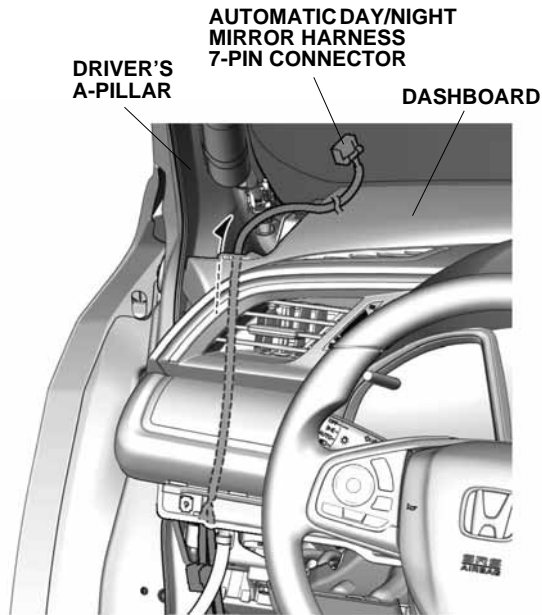
### With Another Accessory Harness 4-pin Connector

22. If other accessory harness 4-pin connector is plugged into the fuse box, unplug the other accessory harness 4-pin connector from the fuse box, then plug the automatic day/night mirror harness 4-pin connector into the fuse box. Remove and discard the dummy connector from the automatic day/night mirror harness 4-pin connector, and plug other accessory harness 4-pin connector into the automatic day/night mirror harness 4-pin connector.



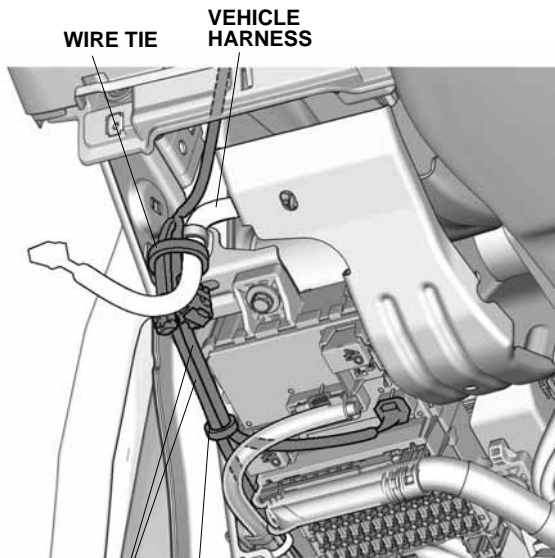


23. Route the automatic day/night mirror harness upwards towards to the dashboard as shown.



QE31210BJ

24. Secure automatic day/night mirror harness to the vehicle harness with one wire tie.

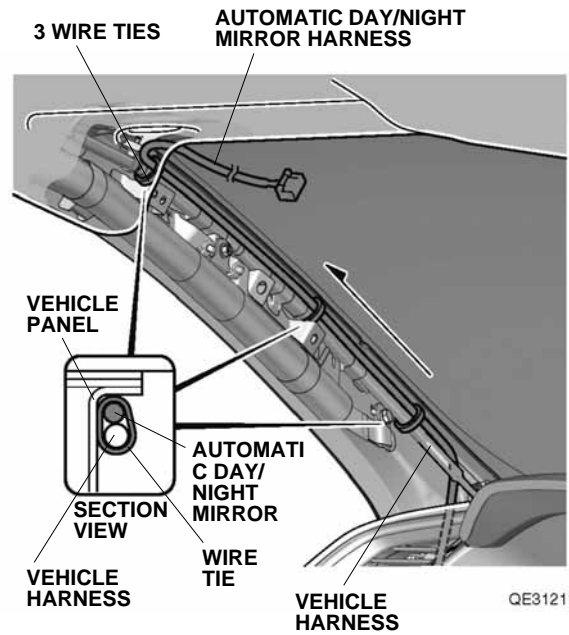


QE31209BJ

25. Bundle the automatic day/night mirror harness with one wire tie.

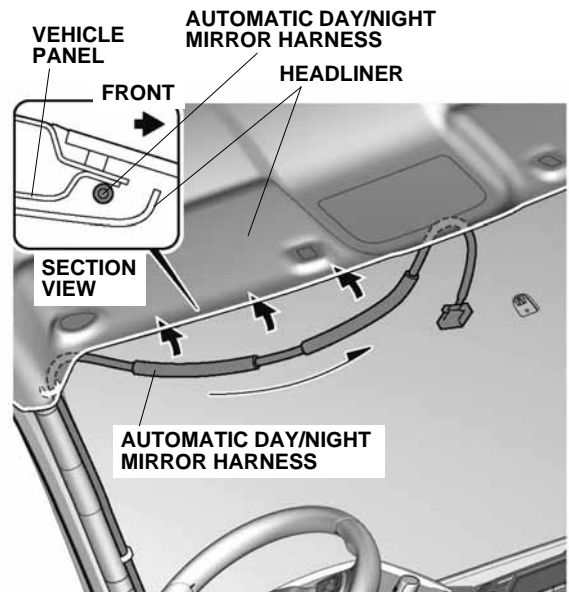
WIRE TIE (Bundle.)  
AUTOMATIC DAY/NIGHT MIRROR HARNESS

26. Secure the automatic day/night mirror harness to the vehicle harness with three wire ties. Do not cover the installation holes of the driver's A-pillar trim.



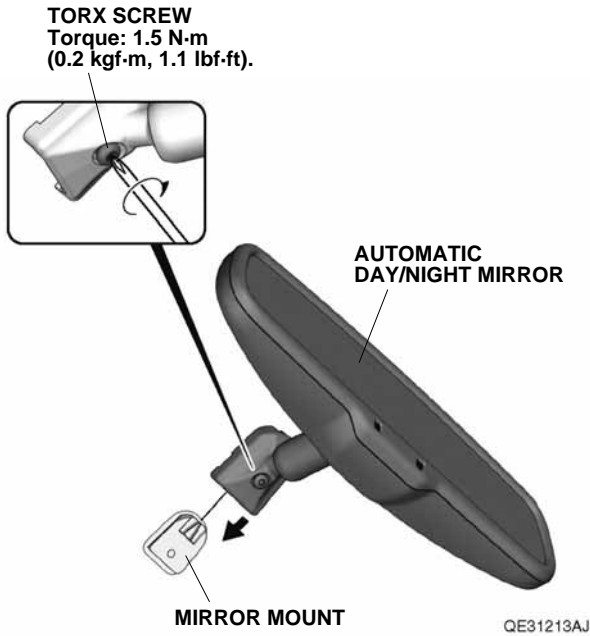
QE31211AJ

27. Gently pull back the headliner and tuck the automatic day/night mirror harness behind the headliner.

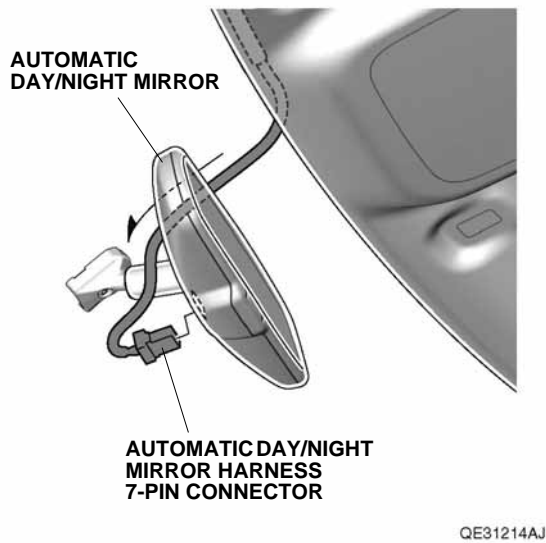


QE31212AJ

28. Install the automatic day/night mirror on the mirror mount as shown and tighten the TORX screw.



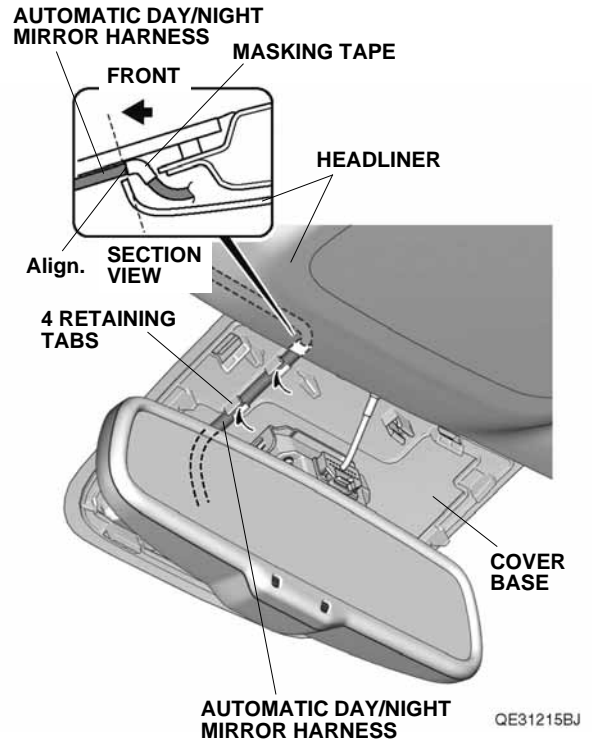
29. Plug the automatic day/night mirror harness 7-pin connector into the automatic day/night mirror.



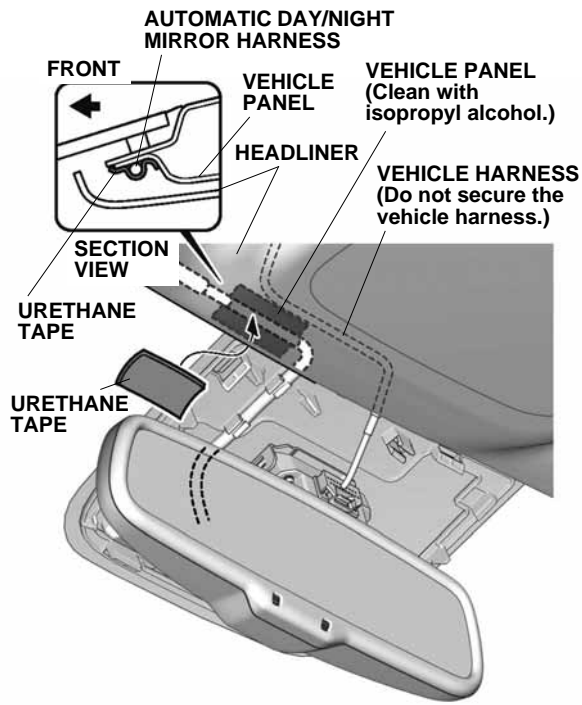
**If the vehicle is equipped with CMBS, continue with step 30. If not, go to step 34.**

**With CMBS**

30. Line up the masking tape on the automatic day/night mirror harness with the edge of the headliner. Secure the automatic day/night mirror harness to the cover base.



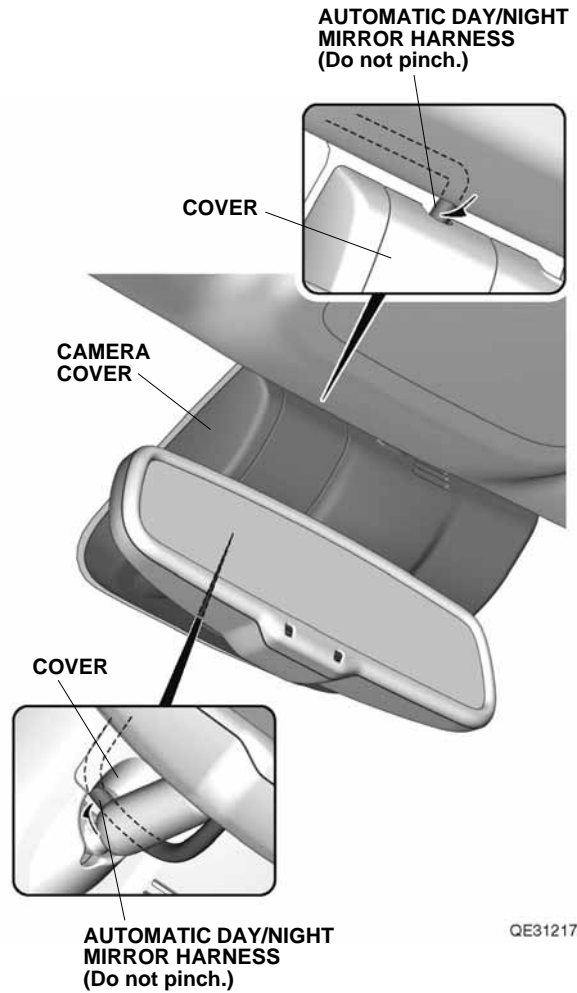
31. Using isopropyl alcohol on a shop towel, clean the vehicle panel where the urethane tape will attach.



QE31216AJ

32. Secure the automatic day/night mirror harness to the vehicle panel with one urethane tape.  
NOTE: Be careful not to crease the headliner.

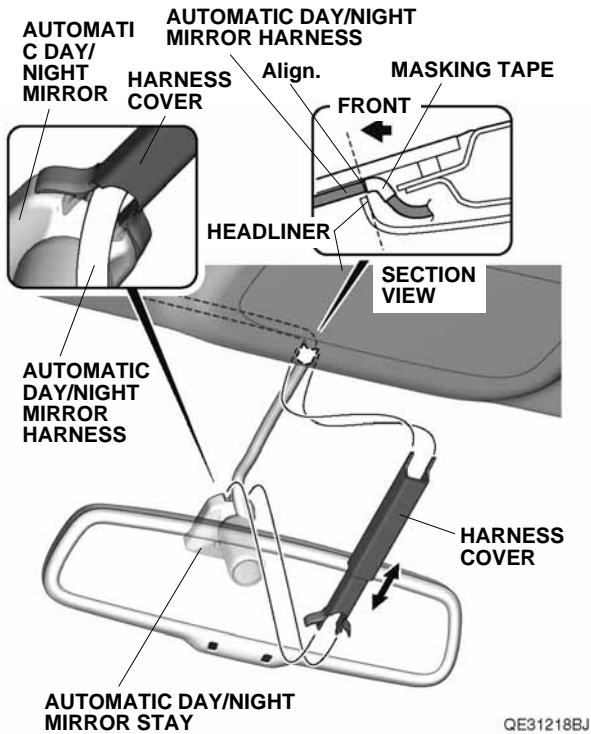
33. Install the camera cover and cover. Go to step 37.



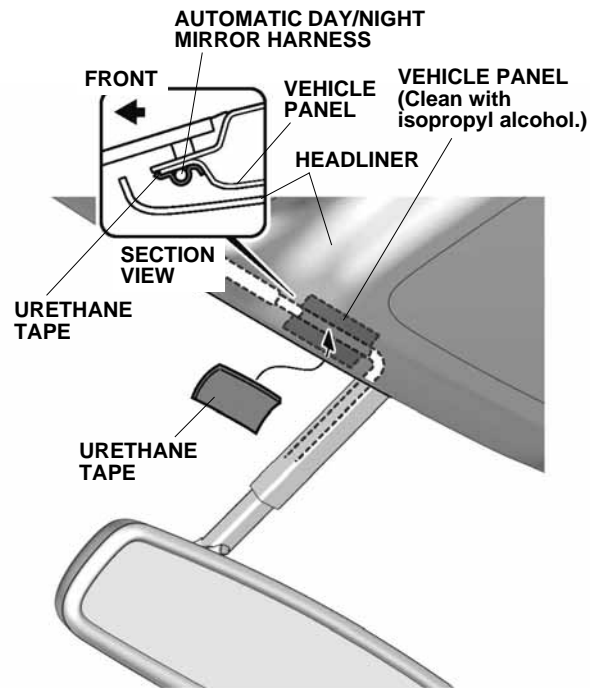
QE31217AJ

## Without CMBS

- Line up the masking tape on the automatic day/night mirror harness with the edge of the headliner. Route the automatic day/night mirror harness through the groove in the harness cover. Secure the harness cover to the automatic day/night mirror stay. Slide the harness cover behind the headliner.



- Using isopropyl alcohol on a shop towel, clean the vehicle panel where the urethane tape will attach.



- Secure the automatic day/night mirror harness to the vehicle panel with one urethane tape.  
NOTE: Be careful not to crease the headliner.
- Check that all wire harnesses are routed properly and all connectors are plugged in.
- Install all removed parts.
- Connect the negative cable to the battery.
- Press and hold the audio unit power button for two seconds to restore the audio and navi (if equipped) system functions.
- Set the clock.
- If necessary, restore the systems back to normal operation as described in the Service Information.  
NOTE: Check the operation of the automatic day/night mirror according to the Owner's Manual.