

Accessory	Application	Publications No.
DOOR LOWER TRIMS P/N 08F57-TBA-100	2016 CIVIC 4-DOOR	<b>VERSION 1</b>
		Issue Date <b>OCT 2015</b>

**PARTS LIST**

Left front door lower trim  
(Identification mark: FR-L)



Right front door lower trim  
(Identification mark: FR-R)



Left rear door lower trim  
(Identification mark: RR-L)



Right rear door lower trim  
(Identification mark: RR-R)



4 Alcohol swabs

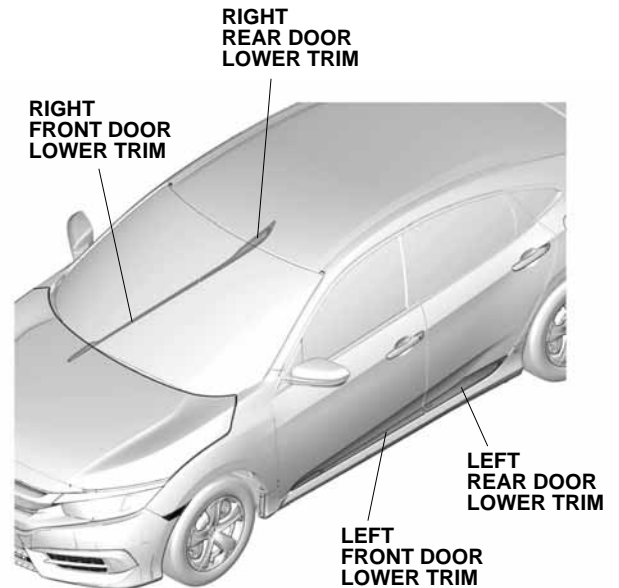

**TOOLS AND SUPPLIES REQUIRED**

Masking tape

Ruler

*The following tool is available through the Honda Tool and Equipment Program. On the iN, click on: Service > Service Bay > Tool and Equipment Program, then enter the number under "Search." Or, call 888-424-6857.*

- Rubber Roller (T/N MHLE54D)
- Trim Tool Set (T/N SOJATP2014)

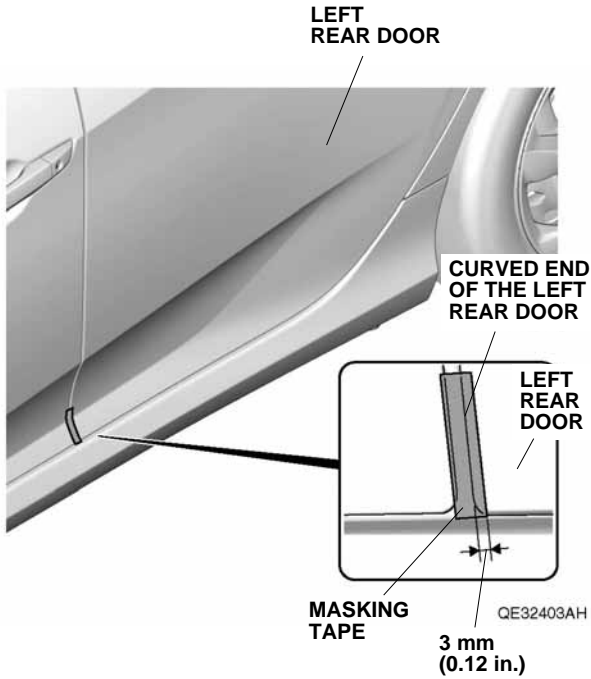
**Illustration of the Door Lower Trims Installed on the Vehicle**


QE32401AH

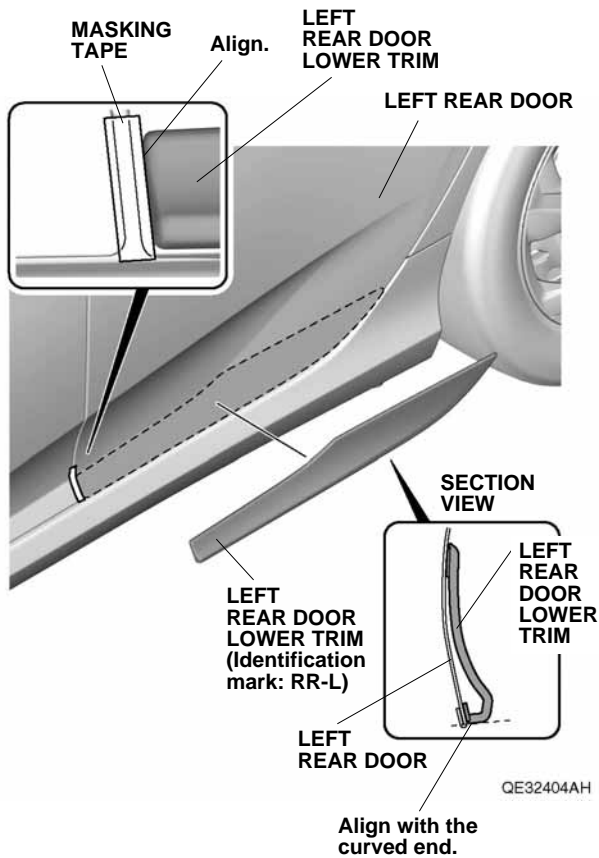
**INSTALLATION**
**NOTE:**

- These instructions show the left door lower trims being installed. The same procedure applies to installing the right door lower trims.
- Be careful not to damage the paint finish.
- This door lower trim kit should be installed only if the ambient air temperature is 15° C (60° F) or above.
- To allow the adhesive to cure, do not wash the vehicle for 24 hours. Make sure your customer is aware of this.

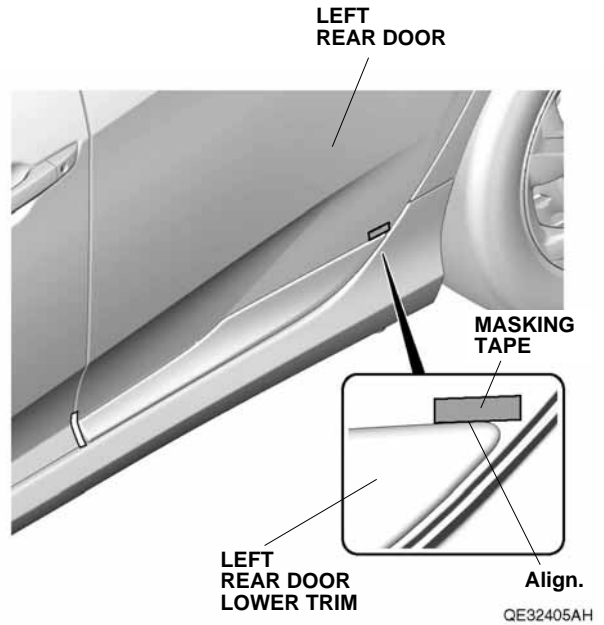
1. Apply masking tape to the left rear door as shown.



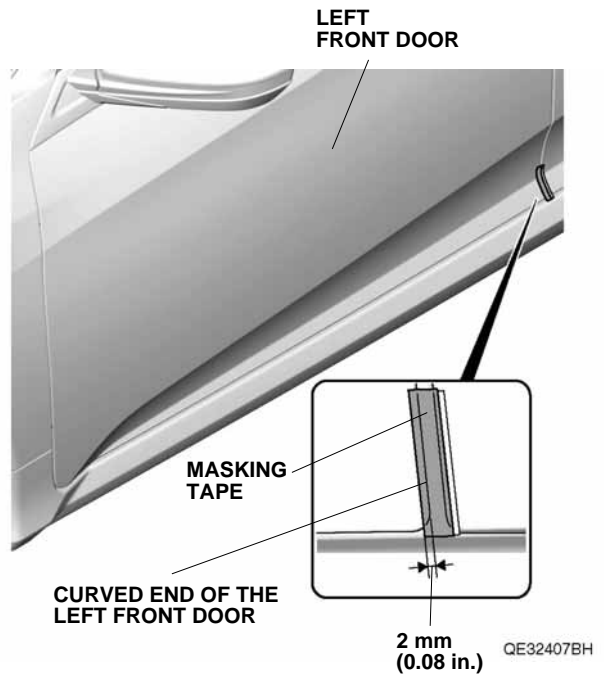
2. Align the left rear door lower trim as shown.



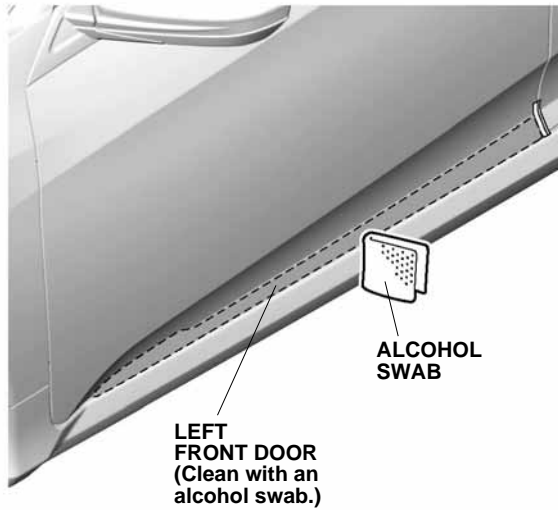
3. Apply masking tape to the left rear door as shown. Remove the left rear door lower trim.



4. Apply masking tape to the left front door as shown.

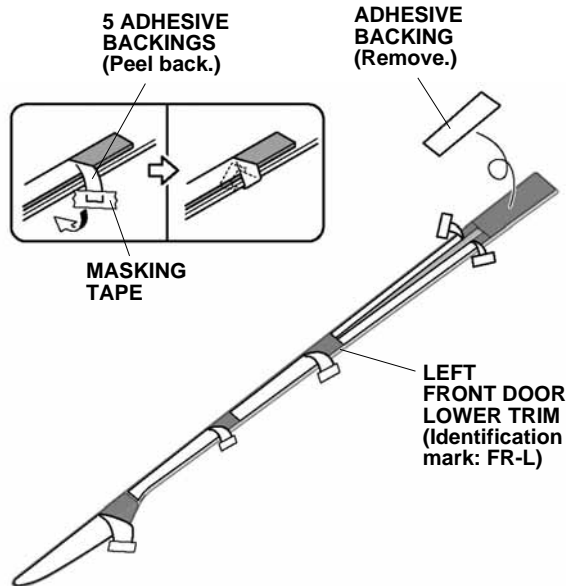


- Using an alcohol swab, thoroughly clean the area where the left front door lower trim will attach.



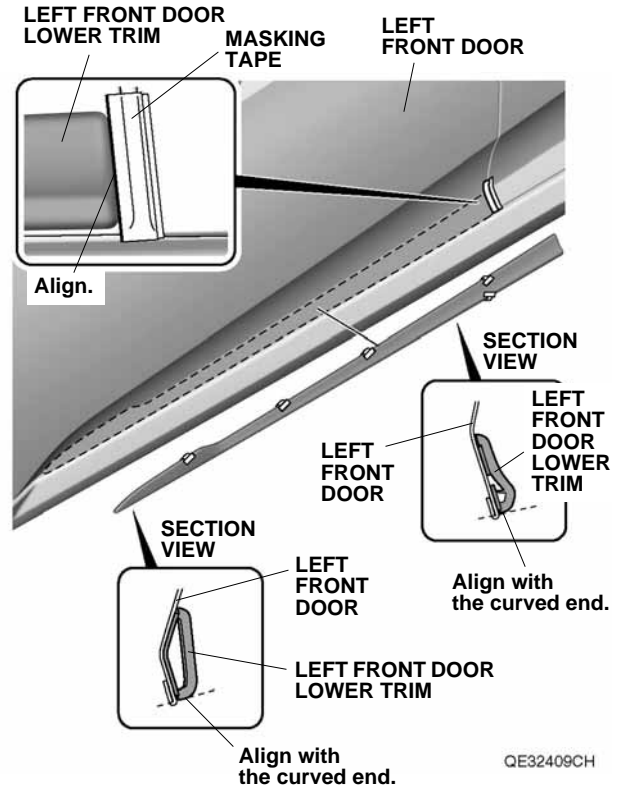
QE32406BH

- Peel back the adhesive backings and tape them to the front surface of the left front door lower trim with masking tape. Remove the other adhesive backing.



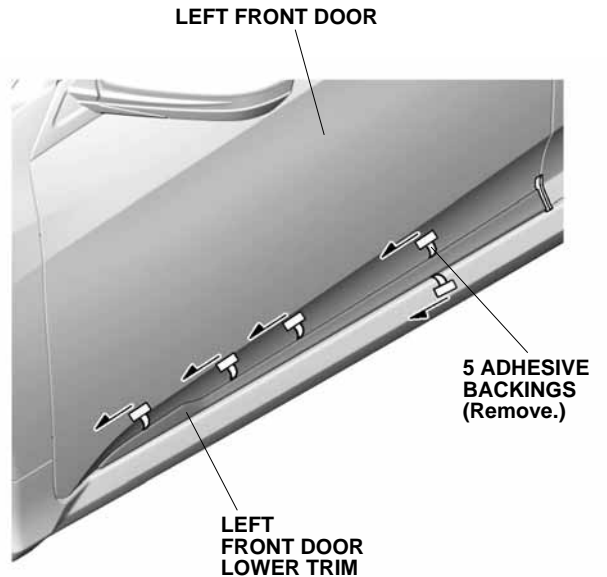
QE32408CH

- Align the left front door lower trim as shown.



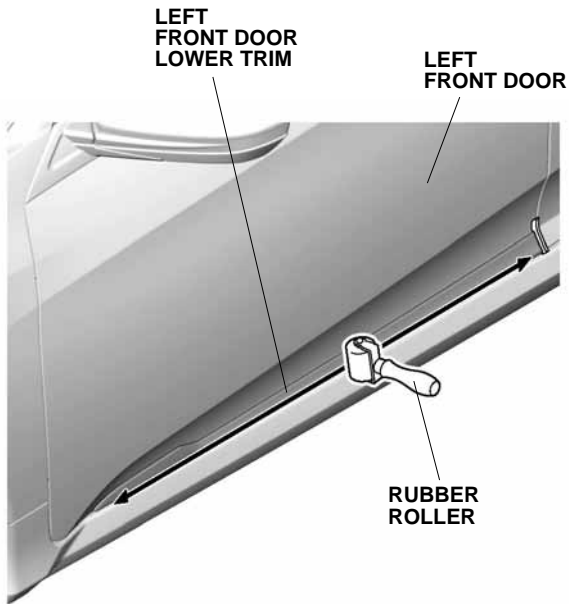
QE32409CH

- While applying light pressure against the left front door lower trim, carefully remove the taped adhesive backings.



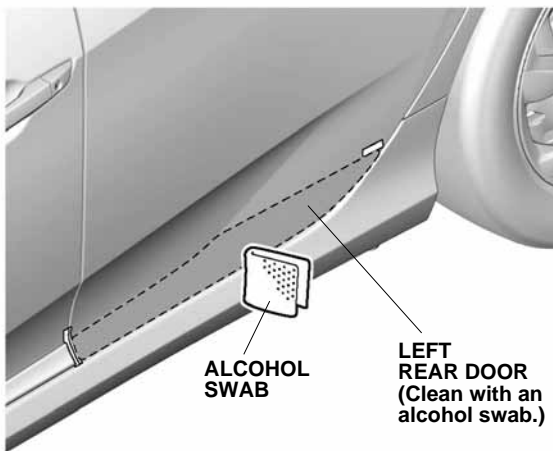
QE32410CH

9. Using a rubber roller, apply firm pressure while rolling, especially at the ends, to set the adhesive.



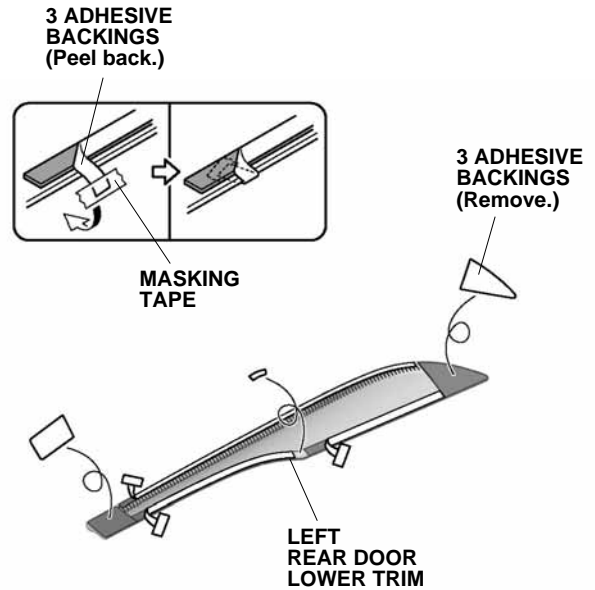
QE32411BH

10. Using an alcohol swab, thoroughly clean the area where the left rear door lower trim will attach.



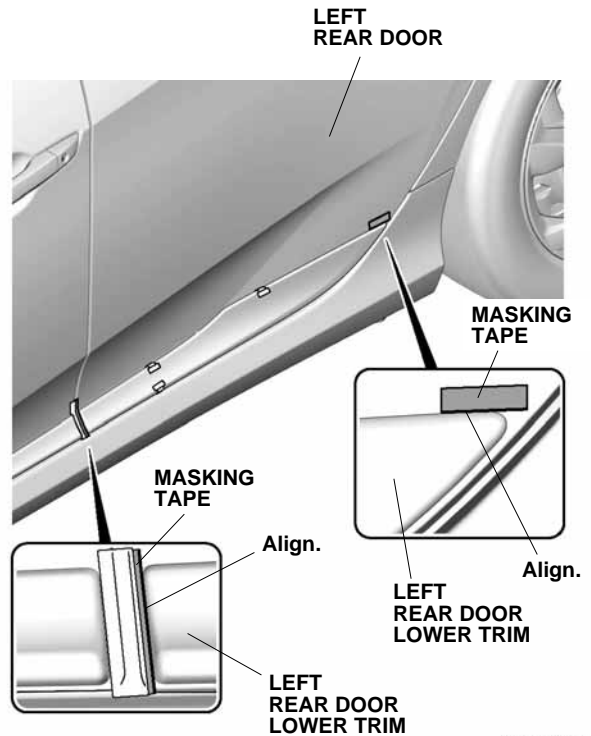
QE32402BH

11. Peel back the adhesive backings and tape them to the front surface of the left rear door lower trim with masking tape. Remove the other adhesive backings.



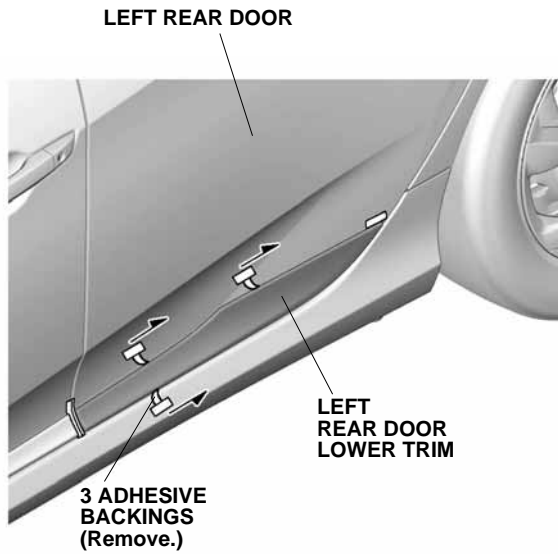
QE32412CH

12. Align the left rear door lower trim as shown.



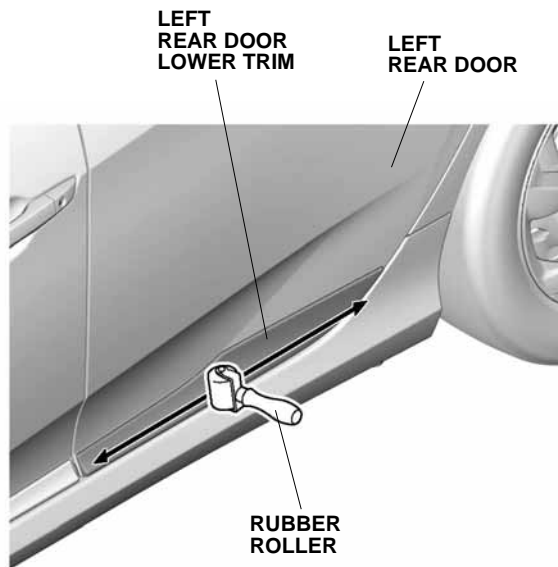
QE72801AU

13. While applying light pressure against the left rear door lower trim, carefully remove the taped adhesive backings.



QE32413CH

14. Remove the masking tape.
15. Using a rubber roller, apply firm pressure while rolling, especially at the ends, to set the adhesive.



QE32414AH

16. Repeat steps 1 through 15 to install the right door lower trims.